

Indexing plungers



Material:

Steel version

Indexing pin hardened:
grade 5.8.

Stainless steel version

Indexing pin hardened:
Threaded sleeve 1.4305.
Indexing pin 1.4034.

Indexing pin not hardened:

Threaded sleeve 1.4305.
Indexing pin 1.4305.

Mushroom knob black-grey thermoplastic.

Version:

Steel version:

Indexing pin hardened, ground, black oxidised.

Stainless steel version:

Indexing pin hardened, ground and bright.
Indexing pin not hardened, ground and bright.

Sample order:

nIm 03090-04206

Note:

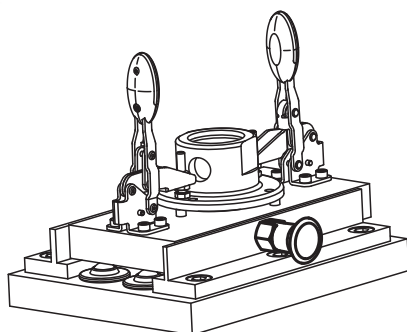
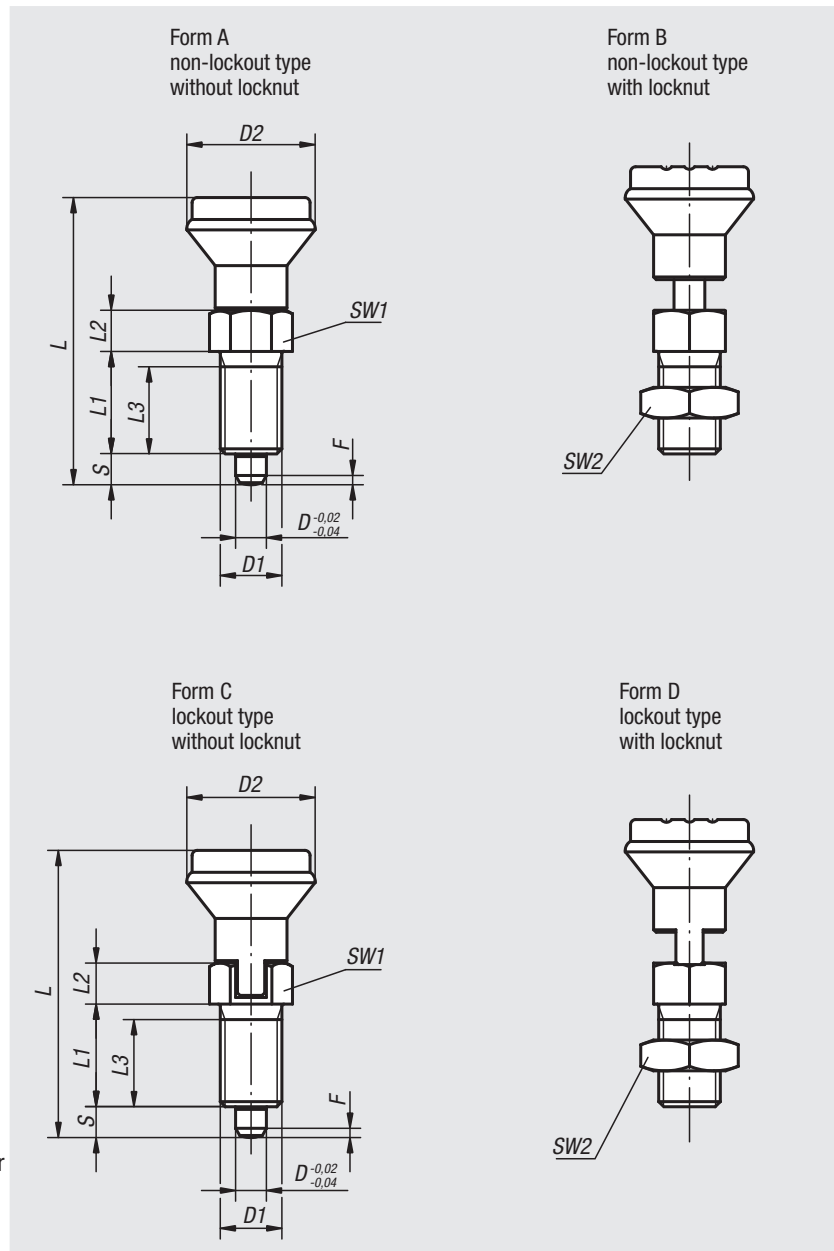
Indexing plungers are used to prevent any change in locking position due to lateral forces. A new locking position can only be set after the pin has been manually disengaged. Form C or D is recommended for applications in which the pin is disengaged over extended periods and should be prevented from springing back.

On request:

Special versions.

Accessories:

Spacer rings 03089



Indexing plungers

Indexing plungers, steel, indexing pin hardened

Order No. Form A	Order No. Form B	Order No. Form C	Order No. Form D	D	D1	D2	L	L1	L2	L3	Travel S	SW1	SW2	Fx30°	Spring force initial pressure F1 approx. N	Spring force final pressure F2 approx. N
03090-1105	03090-2105	03090-3105	03090-4105	5	M10x1	21	47	17	7	15	5	13	-/17-/17	1,3	5	12
03090-1206	03090-2206	03090-3206	03090-4206	6	M12x1,5	25	56	20	8	17	6	14	-/19-/19	1,8	6	14
03090-1308	03090-2308	03090-3308	03090-4308	8	M16x1,5	33	74	26	10	23	8	19	-/24-/24	2,3	15	35
03090-1410	03090-2410	03090-3410	03090-4410	10	M20x1,5	33	80	28	12	25	10	22	-/30-/30	2,8	15	34

Indexing plungers, stainless steel, indexing pin hardened

Order No. Form A	Order No. Form B	Order No. Form C	Order No. Form D	D	D1	D2	L	L1	L2	L3	Travel S	SW1	SW2	Fx30°	Spring force initial pressure F1 approx. N	Spring force final pressure F2 approx. N
03090-01105	03090-02105	03090-03105	03090-04105	5	M10x1	21	47	17	7	15	5	13	-/17-/17	1,3	5	12
03090-01206	03090-02206	03090-03206	03090-04206	6	M12x1,5	25	56	20	8	17	6	14	-/19-/19	1,8	6	14
03090-01308	03090-02308	03090-03308	03090-04308	8	M16x1,5	33	74	26	10	23	8	19	-/24-/24	2,3	15	35
03090-01410	03090-02410	03090-03410	03090-04410	10	M20x1,5	33	80	28	12	25	10	22	-/30-/30	2,8	15	34

Indexing plungers, stainless steel, indexing pin not hardened

Order No. Form A	Order No. Form B	Order No. Form C	Order No. Form D	D	D1	D2	L	L1	L2	L3	Travel S	SW1	SW2	Fx30°	Spring force initial pressure F1 approx. N	Spring force final pressure F2 approx. N
03090-11105	03090-12105	03090-13105	03090-14105	5	M10x1	21	47	17	7	15	5	13	-/17-/17	1,3	5	12
03090-11206	03090-12206	03090-13206	03090-14206	6	M12x1,5	25	56	20	8	17	6	14	-/19-/19	1,8	6	14
03090-11308	03090-12308	03090-13308	03090-14308	8	M16x1,5	33	74	26	10	23	8	19	-/24-/24	2,3	15	35
03090-11410	03090-12410	03090-13410	03090-14410	10	M20x1,5	33	80	28	12	25	10	22	-/30-/30	2,8	15	34

Indexing plungers

with locked mark



Material:

Indexing pin steel.

Threaded sleeve 1.0718.

Mushroom knob black grey thermoplastic.

Lock mark aluminium.

Version:

Indexing pin steel, hardened, ground and black oxidised.

Threaded sleeve black oxidised.

Lock mark red anodised.

Sample order:

nIm 03090-71105

Note:

Indexing plungers are used to prevent any change in locking position due to lateral forces. A new locking position can only be set after the plunger has been manually disengaged.

When the lock mark is visible the plunger is either completely disengaged or only partly in the index position.

On request:

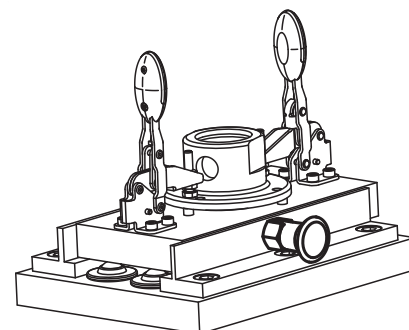
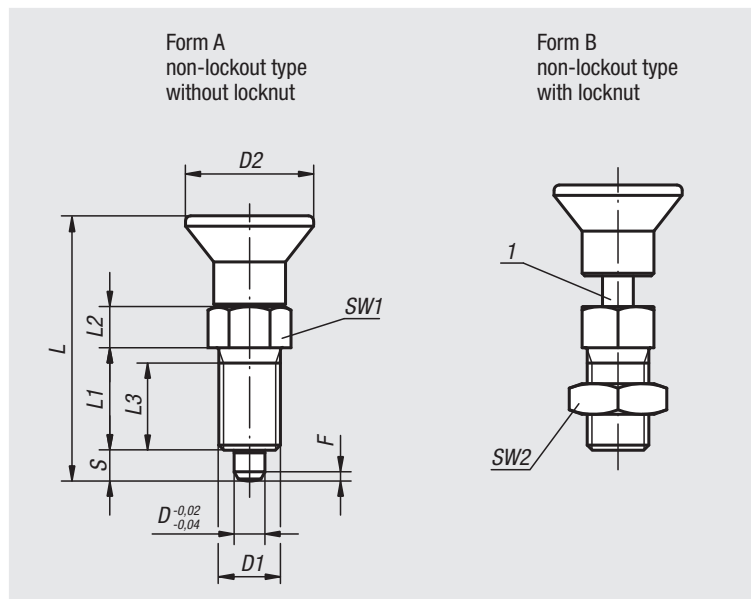
Special versions.

Accessories:

Spacer rings 03089

Drawing reference:

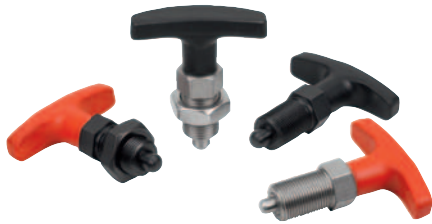
1) marking ring



Order No. Form A	Order No. Form B	D	D1	D2	L	L1	L2	L3	Travel S	SW1	SW2	Fx30°	Spring force initial pressure F1 approx. N	Spring force final pressure F2 approx. N
03090-71105	03090-72105	5	M10x1	21	43,5	17	7	15	5	13	-/17	1,3	5	12
03090-71206	03090-72206	6	M12x1,5	25	51,7	20	8	17	6	14	-/19	1,8	6	14
03090-71308	03090-72308	8	M16x1,5	33	68	26	10	23	8	19	-/24	2,3	15	35

Indexing plungers

with T-grip



Material:

Steel version:

Indexing pin hardened:
pin 1.0718
threaded sleeve 1.0718.

Stainless steel version:

Indexing pin hardened:
pin 1.4305
threaded sleeve 1.4305.

T-grip thermoplastic, black grey or traffic red RAL 3020.

Version:

Steel version:

indexing pin hardened, ground and black oxidised.
Threaded sleeve black oxidised

Stainless steel version:

indexing pin hardened, ground and bright.
Threaded sleeve bright.

Sample order:

nIm 03090-5308

Note:

Indexing plungers are used to prevent any change in locking position due to lateral forces. A new locking position can only be set after the pin has been manually disengaged. The ergonomic T-grip enables easy handling and low effort.

On request:

Special versions.

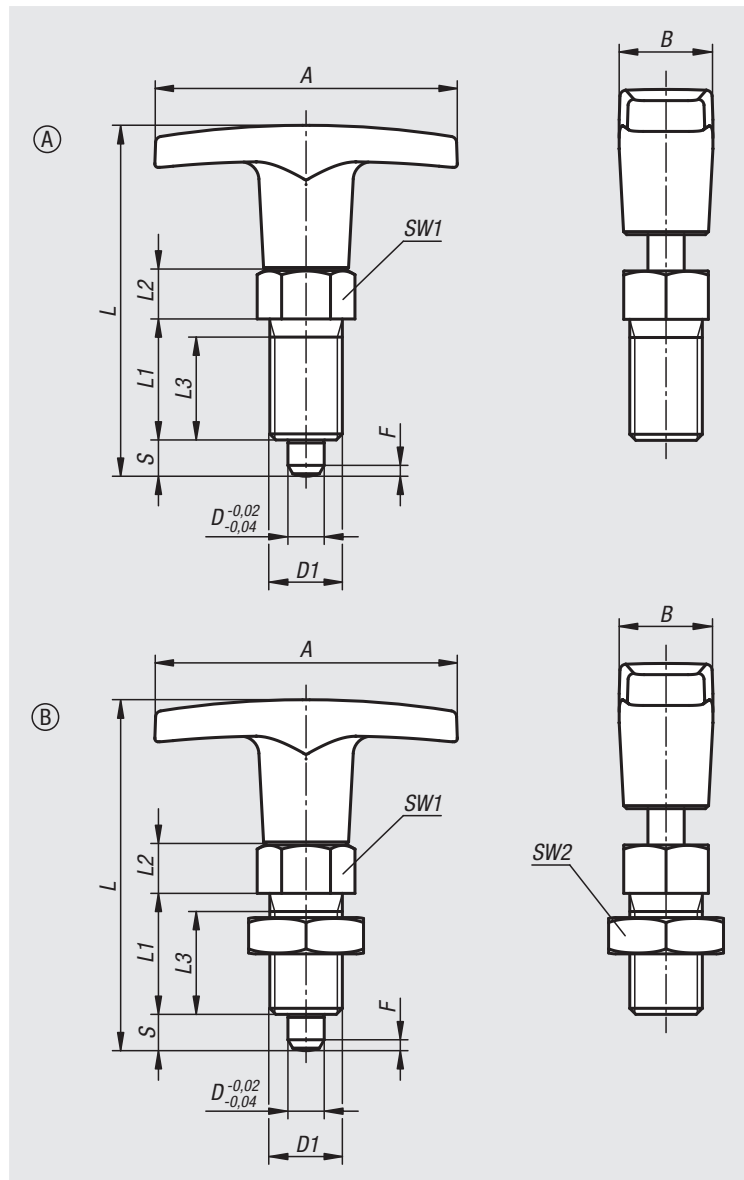
Accessories:

Spacer rings 03089

Drawing reference:

Form A: without locknut

Form B: with locknut



Indexing plungers

with T-grip

Indexing plungers, steel, indexing pin hardened

Order No. Form A	Order No. Form B	Component colour	A	B	D	D1	L	L1	L2	L3	Travel S	SW1	SW2	Fx30°	Spring force initial pressure F1 approx. N	Spring force final pressure F2 approx. N
03090-5206	03090-6206	black grey RAL 7021	50	15,5	6	M12x1,5	58	20	8	17	6	14	-/19	1,8	6	14
03090-5308	03090-6308	black grey RAL 7021	60	18	8	M16x1,5	77	26	10	23	8	19	-/24	2,3	15	35
03090-5410	03090-6410	black grey RAL 7021	72	19	10	M20x1,5	84	28	12	25	10	22	-/30	2,8	15	34
03090-520684	03090-620684	red	50	15,5	6	M12x1,5	58	20	8	17	6	14	-/19	1,8	6	14
03090-530884	03090-630884	red	60	18	8	M16x1,5	77	26	10	23	8	19	-/24	2,3	15	35
03090-541084	03090-641084	red	72	19	10	M20x1,5	84	28	12	25	10	22	-/30	2,8	15	34

Indexing plungers, stainless steel, indexing pin hardened

Order No. Form A	Order No. Form B	Component colour	A	B	D	D1	L	L1	L2	L3	Travel S	SW1	SW2	Fx30°	Spring force initial pressure F1 approx. N	Spring force final pressure F2 approx. N
03090-05206	03090-06206	black grey RAL 7021	50	15,5	6	M12x1,5	58	20	8	17	6	14	-/19	1,8	6	14
03090-05308	03090-06308	black grey RAL 7021	60	18	8	M16x1,5	77	26	10	23	8	19	-/24	2,3	15	35
03090-05410	03090-06410	black grey RAL 7021	72	19	10	M20x1,5	84	28	12	25	10	22	-/30	2,8	15	34
03090-0520684	03090-0620684	red	50	15,5	6	M12x1,5	58	20	8	17	6	14	-/19	1,8	6	14
03090-0530884	03090-0630884	red	60	18	8	M16x1,5	77	26	10	23	8	19	-/24	2,3	15	35
03090-0541084	03090-0641084	red	72	19	10	M20x1,5	84	28	12	25	10	22	-/30	2,8	15	34

Indexing plungers ECO

short version



Material:

Steel version:

Indexing pin not hardened.

Threaded sleeve 1.0718.

Indexing pin 1.4305.

Stainless steel version:

Indexing pin not hardened.

Threaded sleeve and indexing pin 1.4305.

Mushroom knob black grey thermoplastic.

Version:

Steel version:

Indexing pin hardened.

Threaded sleeve trivalent blue passivated.

Indexing pin bright.

Stainless steel version:

Indexing pin not hardened.

Steel parts bright.

Sample order:

nIm 03090-01903060

Note:

Indexing plungers are used to prevent changes to the locking position due to lateral forces. Another locking position can be set only after the plunger has been manually released. Indexing plungers with regular thread and unpolished and unhardened indexing pins are a cost-effective alternative to existing indexing plungers. But their degree of precision is still sufficient for many applications. The smaller production tolerances also make these products less sensitive to the alignment errors that can occur when aligning indexing plungers with the hole in the counter piece.

Pay attention to the max. tightening torque when assembling.

On request:

Special versions.

Indexing plungers ECO, short version, steel, indexing pin not hardened

Order No. Form A	Order No. Form B	Order No. Form C	Order No. Form D	D	D1	D2	L	L1	L2	Travel S	SW1	SW2	Fx30°	Spring force initial pressure F1 approx. N	Spring force final pressure F2 approx. N	Tightening torque max. Nm
03090-01903060	03090-02903060	03090-03903060	03090-04903060	3	M6	14	25,5	6	5	3,5	8	-/10/-/10	0,8	3,5	8	2
03090-01004080	03090-02004080	03090-03004080	03090-04004080	4	M8	18	29,5	6	6	4	10	-/13/-/13	1	3,5	9	2
03090-01105100	03090-02105100	03090-03105100	03090-04105100	5	M10	21	34,5	8	7	5	13	-/17/-/17	1,3	6	12	7
03090-01206120	03090-02206120	03090-03206120	03090-04206120	6	M12	25	41,7	10	8	6	14	-/19/-/19	1,8	6	12	15
03090-01308160	03090-02308160	03090-03308160	03090-04308160	8	M16	33	54	12	10	8	19	-/24/-/24	2,3	6	13	20

Indexing plungers ECO, short version, stainless steel, indexing pin not hardened

Order No. Form A	Order No. Form B	Order No. Form C	Order No. Form D	D	D1	D2	L	L1	L2	Travel S	SW1	SW2	Fx30°	Spring force initial pressure F1 approx. N	Spring force final pressure F2 approx. N	Tightening torque max. Nm
03090-11903060	03090-12903060	03090-13903060	03090-14903060	3	M6	14	25,5	6	5	3,5	8	-/10/-/10	0,8	3,5	8	2
03090-11004080	03090-12004080	03090-13004080	03090-14004080	4	M8	18	29,5	6	6	4	10	-/13/-/13	1	3,5	9	2
03090-11105100	03090-12105100	03090-13105100	03090-14105100	5	M10	21	34,5	8	7	5	13	-/17/-/17	1,3	6	12	7
03090-11206120	03090-12206120	03090-13206120	03090-14206120	6	M12	25	41,7	10	8	6	14	-/19/-/19	1,8	6	12	15
03090-11308160	03090-12308160	03090-13308160	03090-14308160	8	M16	33	54	12	10	8	19	-/24/-/24	2,3	6	13	20

