



## Description

### Product description:

Indexing plungers are used where it is necessary to prevent changes of position due to lateral forces. A new locking position can be set only after the plunger has been manually disengaged. With this indexing plunger a cam lever is used to retract the pin. The indexing plunger remains unlocked as long as the handle is positioned over the dead-centre of the cam.

The ergonomic cam lever enables light handling with low effort.

### Material:

Steel version:

Grub screw and indexing pin steel.

Stainless steel version:

Threaded sleeve 1.4305.

Indexing pin 1.4305.

Handle fibreglass reinforced thermoplastic PPA (high temperature resistant).

### Version:

Steel version:

Threaded sleeve black oxidised.

Indexing pin hardened, ground and black oxidised.

Stainless steel version:

Threaded sleeve bright.

Indexing pin ground, bright.

Handle black grey RAL7021 or traffic red RAL3020.

### Temperature range:

Permanent operating temperature acc. to IEC 216 max. 160°C.

Short-term operating temperature max. 250°C.

### Advantages:

Fast and simple to use.

Suitable for high temperature applications.

With integrated detent.

Short version.

Ideal for where space is restricted.

### On request:

Special versions.

### Accessory:

Spacer rings 03089.

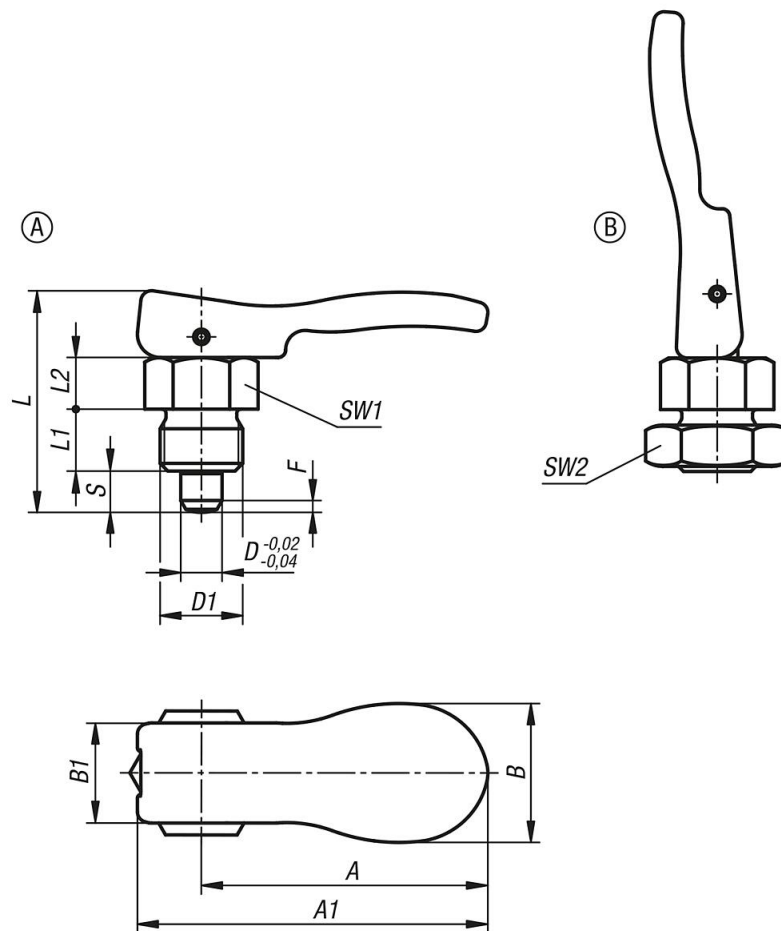
Positioning bushes for indexing plunger 03099-50.

Fastening sets for thin-walled parts 03094-10.

### Drawing reference:

Form A: without locknut

Form B: with locknut



## Overview of items

Order No.	Form	Locknut	Main material	Component colour	A	A1	B	B1	D	D1	Travel S
03090-30-8105	A	without locknut	steel	black	31,7	41,7	17,9	12,9	5	M10x1	5
03090-30-8206	A	without locknut	steel	black	31,6	41,7	17,9	12,9	6	M12x1,5	6
03090-30-8308	A	without locknut	steel	black	55,5	67,8	26,9	19,4	8	M16x1,5	8
03090-30-8410	A	without locknut	steel	black	53,4	67,8	26,9	19,4	10	M20x1,5	10
03090-30-8105154	A	without locknut	steel	traffic red RAL 3020	31,7	41,7	17,9	12,9	5	M10x1	5
03090-30-8206154	A	without locknut	steel	traffic red RAL 3020	31,6	41,7	17,9	12,9	6	M12x1,5	6
03090-30-8308154	A	without locknut	steel	traffic red RAL 3020	55,5	67,8	26,9	19,4	8	M16x1,5	8
03090-30-8410154	A	without locknut	steel	traffic red RAL 3020	53,4	67,8	26,9	19,4	10	M20x1,5	10
03090-30-18105	A	without locknut	stainless steel	black	31,7	41,7	17,9	12,9	5	M10x1	5
03090-30-18206	A	without locknut	stainless steel	black	31,6	41,7	17,9	12,9	6	M12x1,5	6
03090-30-18308	A	without locknut	stainless steel	black	55,5	67,8	26,9	19,4	8	M16x1,5	8
03090-30-18410	A	without locknut	stainless steel	black	53,4	67,8	26,9	19,4	10	M20x1,5	10
03090-30-18105154	A	without locknut	stainless steel	traffic red RAL 3020	31,7	41,7	17,9	12,9	5	M10x1	5
03090-30-18206154	A	without locknut	stainless steel	traffic red RAL 3020	31,6	41,7	17,9	12,9	6	M12x1,5	6
03090-30-18308154	A	without locknut	stainless steel	traffic red RAL 3020	55,5	67,8	26,9	19,4	8	M16x1,5	8
03090-30-18410154	A	without locknut	stainless steel	traffic red RAL 3020	53,4	67,8	26,9	19,4	10	M20x1,5	10
03090-30-9105	B	with locknut	steel	black	31,7	41,7	17,9	12,9	5	M10x1	5
03090-30-9206	B	with locknut	steel	black	31,6	41,7	17,9	12,9	6	M12x1,5	6
03090-30-9308	B	with locknut	steel	black	55,5	67,8	26,9	19,4	8	M16x1,5	8
03090-30-9410	B	with locknut	steel	black	53,4	67,8	26,9	19,4	10	M20x1,5	10
03090-30-9105154	B	with locknut	steel	traffic red RAL 3020	31,7	41,7	17,9	12,9	5	M10x1	5
03090-30-9206154	B	with locknut	steel	traffic red RAL 3020	31,6	41,7	17,9	12,9	6	M12x1,5	6
03090-30-9308154	B	with locknut	steel	traffic red RAL 3020	55,5	67,8	26,9	19,4	8	M16x1,5	8
03090-30-9410154	B	with locknut	steel	traffic red RAL 3020	53,4	67,8	26,9	19,4	10	M20x1,5	10
03090-30-19105	B	with locknut	stainless steel	black	31,7	41,7	17,9	12,9	5	M10x1	5
03090-30-19206	B	with locknut	stainless steel	black	31,6	41,7	17,9	12,9	6	M12x1,5	6

## Overview of items

Order No.	Form	Locknut	Main material	Component colour	A	A1	B	B1	D	D1	Travel S
03090-30-19308	B	with locknut	stainless steel	black	55,5	67,8	26,9	19,4	8	M16x1,5	8
03090-30-19410	B	with locknut	stainless steel	black	53,4	67,8	26,9	19,4	10	M20x1,5	10
03090-30-19105154	B	with locknut	stainless steel	traffic red RAL 3020	31,7	41,7	17,9	12,9	5	M10x1	5
03090-30-19206154	B	with locknut	stainless steel	traffic red RAL 3020	31,6	41,7	17,9	12,9	6	M12x1,5	6
03090-30-19308154	B	with locknut	stainless steel	traffic red RAL 3020	55,5	67,8	26,9	19,4	8	M16x1,5	8
03090-30-19410154	B	with locknut	stainless steel	traffic red RAL 3020	53,4	67,8	26,9	19,4	10	M20x1,5	10

Order No.	Form	Main material	Component colour	L	L1	L2	SW1	SW2	Fx30°	Spring force initial pressure F1 approx. N	Spring force final pressure F2 approx. N
03090-30-8105	A	steel	black	30	8	7	13	-	1,3	5	12
03090-30-8206	A	steel	black	34	10	8	14	-	1,8	6	14
03090-30-8308	A	steel	black	42,9	12	10	19	-	2,3	14	28
03090-30-8410	A	steel	black	49,9	15	12	22	-	2,8	15	32
03090-30-8105154	A	steel	traffic red RAL 3020	30	8	7	13	-	1,3	5	12
03090-30-8206154	A	steel	traffic red RAL 3020	34	10	8	14	-	1,8	6	14
03090-30-8308154	A	steel	traffic red RAL 3020	42,9	12	10	19	-	2,3	14	28
03090-30-8410154	A	steel	traffic red RAL 3020	49,9	15	12	22	-	2,8	15	32
03090-30-18105	A	stainless steel	black	30	8	7	13	-	1,3	5	12
03090-30-18206	A	stainless steel	black	34	10	8	14	-	1,8	6	14
03090-30-18308	A	stainless steel	black	42,9	12	10	19	-	2,3	14	28
03090-30-18410	A	stainless steel	black	49,9	15	12	22	-	2,8	15	32
03090-30-18105154	A	stainless steel	traffic red RAL 3020	30	8	7	13	-	1,3	5	12
03090-30-18206154	A	stainless steel	traffic red RAL 3020	34	10	8	14	-	1,8	6	14
03090-30-18308154	A	stainless steel	traffic red RAL 3020	42,9	12	10	19	-	2,3	14	28
03090-30-18410154	A	stainless steel	traffic red RAL 3020	49,9	15	12	22	-	2,8	15	32
03090-30-9105	B	steel	black	30	8	7	13	17	1,3	5	12
03090-30-9206	B	steel	black	34	10	8	14	19	1,8	6	14
03090-30-9308	B	steel	black	42,9	12	10	19	24	2,3	14	28
03090-30-9410	B	steel	black	49,9	15	12	22	30	2,8	15	32
03090-30-9105154	B	steel	traffic red RAL 3020	30	8	7	13	17	1,3	5	12
03090-30-9206154	B	steel	traffic red RAL 3020	34	10	8	14	19	1,8	6	14
03090-30-9308154	B	steel	traffic red RAL 3020	42,9	12	10	19	24	2,3	14	28
03090-30-9410154	B	steel	traffic red RAL 3020	49,9	15	12	22	30	2,8	15	32
03090-30-19105	B	stainless steel	black	30	8	7	13	17	1,3	5	12
03090-30-19206	B	stainless steel	black	34	10	8	14	19	1,8	6	14
03090-30-19308	B	stainless steel	black	42,9	12	10	19	24	2,3	14	28
03090-30-19410	B	stainless steel	black	49,9	15	12	22	30	2,8	15	32
03090-30-19105154	B	stainless steel	traffic red RAL 3020	30	8	7	13	17	1,3	5	12
03090-30-19206154	B	stainless steel	traffic red RAL 3020	34	10	8	14	19	1,8	6	14
03090-30-19308154	B	stainless steel	traffic red RAL 3020	42,9	12	10	19	24	2,3	14	28
03090-30-19410154	B	stainless steel	traffic red RAL 3020	49,9	15	12	22	30	2,8	15	32