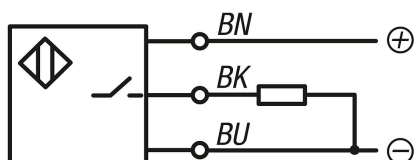




for electrics



Description

Product description:

Indexing plungers are used where any change in locking position due to lateral forces should be prevented. A new indexed position can only be moved to after the pin has been manually retracted.

Form C and D are recommended for applications where the indexing pin should remain disengaged for an extended period and be prevented from springing back.

With indexing plungers with status sensor, the actuation status can be detected and evaluated electronically.

Material:

Steel version:

threaded sleeve and indexing pin, free-cutting steel.

Stainless steel version:

Threaded sleeve \$s1.4305..

Locking pin hardened 1.4034.

Locking pin not hardened \$s1.4305..

Mushroom grip. thermoplastic.

Version:

Steel version:

Threaded sleeve black oxidised.

Indexing pin hardened, ground and black oxidised.

Stainless steel version:

Threaded sleeve bright.

Indexing pin hardened and ground, bright.

Indexing pin not hardened and ground, bright.

Mushroom grip thermoplastic black grey RAL7021.

Note:

The connection to e.g. a machine control is established hardwired via the connection cable of the integrated sensor.

The status sensor activates by engagement with a travel of S - 1 mm.

Indexing plungers with status sensor are not suitable for personnel safety functions.

Technical data:

Inductive sensor:

Output circuit: PNP NO

Operating voltage: 6 - 30 V DC

Operating current: <100 mA

Contact gap: 1 mm

Switch frequency: <4000 Hz

Short-circuit proof: yes

Reverse polarity protection: yes

Rating: IP 67

Connection type: 2 m PVC cable

Temperature range: -10 °C - +70 °C

Approvals: CE, c UL us, EAC

Application:

Indexing plungers with status sensor allow actuation-dependent process control. It is also possible to ensure that the indexing pin is in the desired actuation status.

On request:

Special versions.

Safety:

Indexing plungers with status sensor are not suitable for personnel safety functions.

Drawing reference:

Form A: non-lockout type, without locknut

Form B: non-lockout type, with locknut

Form C: lockout type, without locknut

Form D: lockout type, with locknut

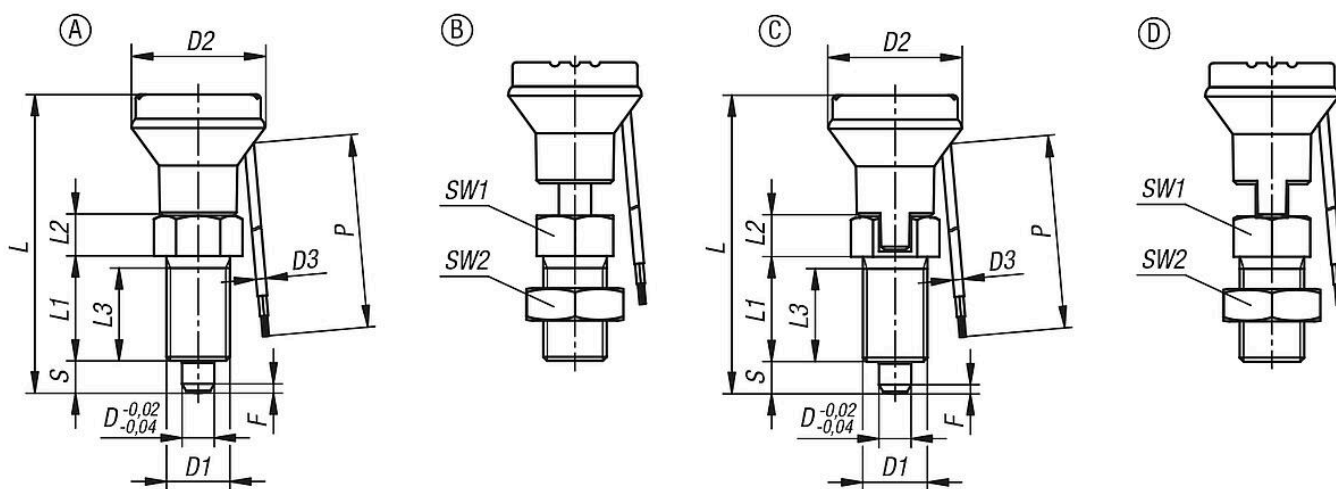
P = cable length

BN = brown

BK = black

BU = blue

Drawings



Overview of items

Order No.	Form	Main material	locating pin	D	D1	D2	D3	L	L1	L2	L3	Travel S	SW1	SW2	Fx30°	P	Spring force initial pressure F1 approx. N	Spring force final pressure F2 approx. N
03090-20-11051	A	steel	hardened	5	M10x1	25	2,4	51	17	7	15	5	13	-	1,3	2000	5	12
03090-20-12061	A	steel	hardened	6	M12x1,5	25	2,4	56	20	8	17	6	14	-	1,8	2000	6	14
03090-20-13081	A	steel	hardened	8	M16x1,5	33	2,4	74	26	10	23	8	19	-	2,3	2000	15	35
03090-20-14101	A	steel	hardened	10	M20x1,5	33	2,4	80	28	12	25	10	22	-	2,8	2000	15	34
03090-20-14121	A	steel	hardened	12	M20x1,5	33	2,4	84	28	14	25	12	22	-	2,8	2000	15	39
03090-20-011051	A	stainless steel	hardened	5	M10x1	25	2,4	51	17	7	15	5	13	-	1,3	2000	5	12
03090-20-012061	A	stainless steel	hardened	6	M12x1,5	25	2,4	56	20	8	17	6	14	-	1,8	2000	6	14
03090-20-013081	A	stainless steel	hardened	8	M16x1,5	33	2,4	74	26	10	23	8	19	-	2,3	2000	15	35
03090-20-014101	A	stainless steel	hardened	10	M20x1,5	33	2,4	80	28	12	25	10	22	-	2,8	2000	15	34
03090-20-014121	A	stainless steel	hardened	12	M20x1,5	33	2,4	84	28	14	25	12	22	-	2,8	2000	15	39
03090-20-111051	A	stainless steel	not hardened	5	M10x1	25	2,4	51	17	7	15	5	13	-	1,3	2000	5	12
03090-20-112061	A	stainless steel	not hardened	6	M12x1,5	25	2,4	56	20	8	17	6	14	-	1,8	2000	6	14
03090-20-113081	A	stainless steel	not hardened	8	M16x1,5	33	2,4	74	26	10	23	8	19	-	2,3	2000	15	35

03090-20 Indexing plungers steel or stainless steel with plastic mushroom grip and status sensor, hardwired



Overview of items

Order No.	Form	Main material	locating pin	D	D1	D2	D3	L	L1	L2	L3	Travel S	SW1	SW2	Fx30°	P	Spring force initial pressure F1 approx. N	Spring force final pressure F2 approx. N
03090-20-114101	A	stainless steel	not hardened	10	M20x1,5	33	2,4	80	28	12	25	10	22	-	2,8	2000	15	34
03090-20-114121	A	stainless steel	not hardened	12	M20x1,5	33	2,4	84	28	14	25	12	22	-	2,8	2000	15	39
03090-20-21051	B	steel	hardened	5	M10x1	25	2,4	51	17	7	15	5	13	17	1,3	2000	5	12
03090-20-22061	B	steel	hardened	6	M12x1,5	25	2,4	56	20	8	17	6	14	19	1,8	2000	6	14
03090-20-23081	B	steel	hardened	8	M16x1,5	33	2,4	74	26	10	23	8	19	24	2,3	2000	15	35
03090-20-24101	B	steel	hardened	10	M20x1,5	33	2,4	80	28	12	25	10	22	30	2,8	2000	15	34
03090-20-24121	B	steel	hardened	12	M20x1,5	33	2,4	84	28	14	25	12	22	30	2,8	2000	15	39
03090-20-021051	B	stainless steel	hardened	5	M10x1	25	2,4	51	17	7	15	5	13	17	1,3	2000	5	12
03090-20-022061	B	stainless steel	hardened	6	M12x1,5	25	2,4	56	20	8	17	6	14	19	1,8	2000	6	14
03090-20-023081	B	stainless steel	hardened	8	M16x1,5	33	2,4	74	26	10	23	8	19	24	2,3	2000	15	35
03090-20-024101	B	stainless steel	hardened	10	M20x1,5	33	2,4	80	28	12	25	10	22	30	2,8	2000	15	34
03090-20-024121	B	stainless steel	hardened	12	M20x1,5	33	2,4	84	28	14	25	12	22	30	2,8	2000	15	39
03090-20-121051	B	stainless steel	not hardened	5	M10x1	25	2,4	51	17	7	15	5	13	17	1,3	2000	5	12
03090-20-122061	B	stainless steel	not hardened	6	M12x1,5	25	2,4	56	20	8	17	6	14	19	1,8	2000	6	14
03090-20-123081	B	stainless steel	not hardened	8	M16x1,5	33	2,4	74	26	10	23	8	19	24	2,3	2000	15	35
03090-20-124101	B	stainless steel	not hardened	10	M20x1,5	33	2,4	80	28	12	25	10	22	30	2,8	2000	15	34
03090-20-124121	B	stainless steel	not hardened	12	M20x1,5	33	2,4	84	28	14	25	12	22	30	2,8	2000	15	39
03090-20-31051	C	steel	hardened	5	M10x1	25	2,4	51	17	7	15	5	13	-	1,3	2000	5	12
03090-20-32061	C	steel	hardened	6	M12x1,5	25	2,4	56	20	8	17	6	14	-	1,8	2000	6	14
03090-20-33081	C	steel	hardened	8	M16x1,5	33	2,4	74	26	10	23	8	19	-	2,3	2000	15	35
03090-20-34101	C	steel	hardened	10	M20x1,5	33	2,4	80	28	12	25	10	22	-	2,8	2000	15	34
03090-20-34121	C	steel	hardened	12	M20x1,5	33	2,4	84	28	14	25	12	22	-	2,8	2000	15	39
03090-20-031051	C	stainless steel	hardened	5	M10x1	25	2,4	51	17	7	15	5	13	-	1,3	2000	5	12
03090-20-032061	C	stainless steel	hardened	6	M12x1,5	25	2,4	56	20	8	17	6	14	-	1,8	2000	6	14
03090-20-033081	C	stainless steel	hardened	8	M16x1,5	33	2,4	74	26	10	23	8	19	-	2,3	2000	15	35
03090-20-034101	C	stainless steel	hardened	10	M20x1,5	33	2,4	80	28	12	25	10	22	-	2,8	2000	15	34
03090-20-034121	C	stainless steel	hardened	12	M20x1,5	33	2,4	84	28	14	25	12	22	-	2,8	2000	15	39
03090-20-132061	C	stainless steel	not hardened	6	M12x1,5	25	2,4	56	20	8	17	6	14	-	1,8	2000	6	14
03090-20-131051	C	stainless steel	not hardened	5	M10x1	25	2,4	51	17	7	15	5	13	-	1,3	2000	5	12
03090-20-133081	C	stainless steel	not hardened	8	M16x1,5	33	2,4	74	26	10	23	8	19	-	2,3	2000	15	35
03090-20-134101	C	stainless steel	not hardened	10	M20x1,5	33	2,4	80	28	12	25	10	22	-	2,8	2000	15	34
03090-20-134121	C	stainless steel	not hardened	12	M20x1,5	33	2,4	84	28	14	25	12	22	-	2,8	2000	15	39
03090-20-41051	D	steel	hardened	5	M10x1	25	2,4	51	17	7	15	5	13	17	1,3	2000	5	12
03090-20-42061	D	steel	hardened	6	M12x1,5	25	2,4	56	20	8	17	6	14	19	1,8	2000	6	14
03090-20-43081	D	steel	hardened	8	M16x1,5	33	2,4	74	26	10	23	8	19	24	2,3	2000	15	35
03090-20-44101	D	steel	hardened	10	M20x1,5	33	2,4	80	28	12	25	10	22	30	2,8	2000	15	34
03090-20-44121	D	steel	hardened	12	M20x1,5	33	2,4	84	28	14	25	12	22	30	2,8	2000	15	39
03090-20-041051	D	stainless steel	hardened	5	M10x1	25	2,4	51	17	7	15	5	13	17	1,3	2000	5	12
03090-20-042061	D	stainless steel	hardened	6	M12x1,5	25	2,4	56	20	8	17	6	14	19	1,8	2000	6	14
03090-20-043081	D	stainless steel	hardened	8	M16x1,5	33	2,4	74	26	10	23	8	19	24	2,3	2000	15	35
03090-20-044101	D	stainless steel	hardened	10	M20x1,5	33	2,4	80	28	12	25	10	22	30	2,8	2000	15	34
03090-20-044121	D	stainless steel	hardened	12	M20x1,5	33	2,4	84	28	14	25	12	22	30	2,8	2000	15	39
03090-20-142061	D	stainless steel	not hardened	6	M12x1,5	25	2,4	56	20	8	17	6	14	19	1,8	2000	6	14
03090-20-141051	D	stainless steel	not hardened	5	M10x1	25	2,4	51	17	7	15	5	13	17	1,3	2000	5	12
03090-20-143081	D	stainless steel	not hardened	8	M16x1,5	33	2,4	74	26	10	23	8	19	24	2,3	2000	15	35
03090-20-144101	D	stainless steel	not hardened	10	M20x1,5	33	2,4	80	28	12	25	10	22	30	2,8	2000	15	34
03090-20-144121	D	stainless steel	not hardened	12	M20x1,5	33	2,4	84	28	14	25	12	22	30	2,8	2000	15	39