

Indexing plungers



Material:

Steel version:
Grub screw and indexing pin steel.

Stainless steel version:
Indexing pin hardened:
Threaded sleeve 1.4305.
Indexing pin 1.4034.

Indexing pin not hardened:
Threaded sleeve 1.4305.
Indexing pin 1.4305.

Mushroom grip black grey thermoplastic.

Version:

Steel version:
Threaded sleeve, black oxidised.
Indexing pin hardened, ground and black oxidised.

Stainless steel version:
Indexing pin hardened, ground and bright. Threaded sleeve, bright.
Indexing pin not hardened, ground and bright.

Sample order:

nIm 03089-04206

Note:

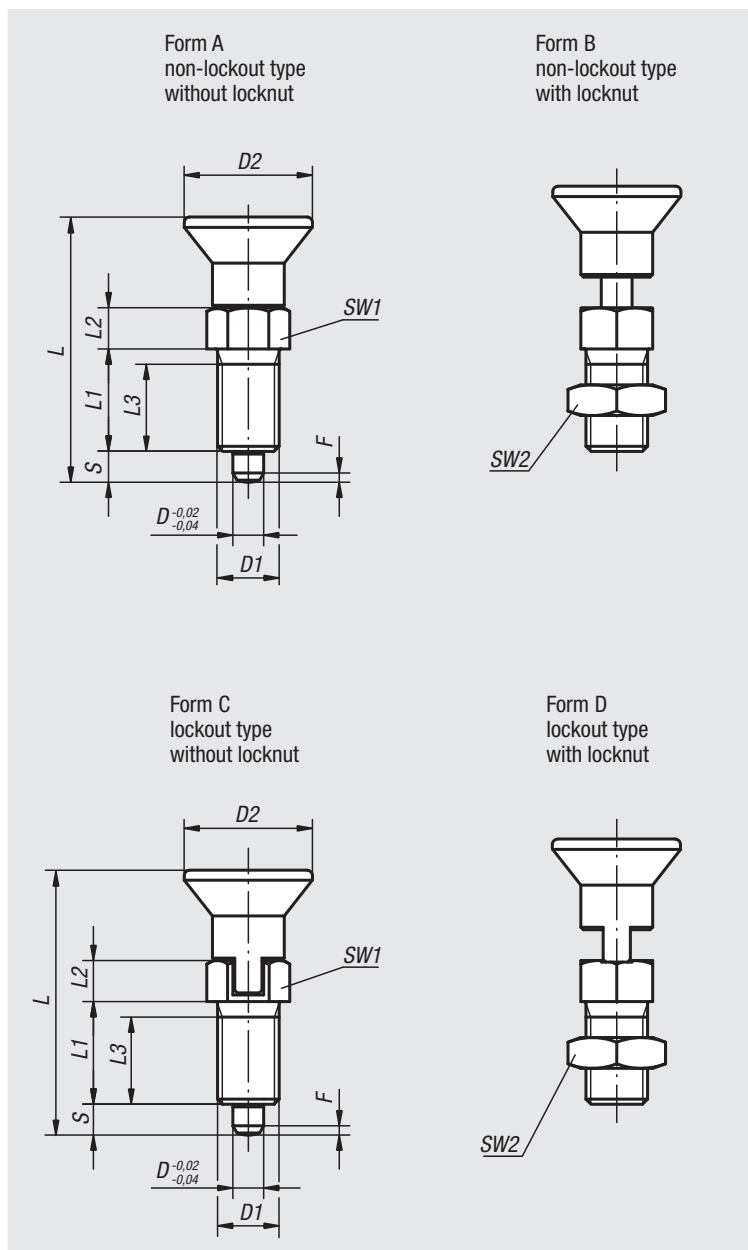
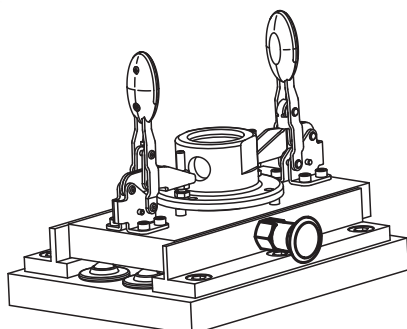
Indexing plungers are used to prevent any change in locking position due to lateral forces. A new locking position can only be set after the pin has been manually disengaged. Form C or D is recommended for applications where the plunger remains disengaged over a long period and the pin should be prevented from springing back.

On request:

Special versions.

Accessories:

Spacer rings 03089



Indexing plungers

Indexing plungers, steel, indexing pin hardened

Order No. Form A	Order No. Form B	Order No. Form C	Order No. Form D	D	D1	D2	L	L1	L2	L3	Travel S	SW1	SW2	Fx30°	Spring force initial pressure F1 approx. N	Spring force final pressure F2 approx. N
03089-1903	03089-2903	03089-3903	03089-4903	3	M6x0,75	14	31,5	12	5	10	3,5	8	-/10-/10	0,8	4,5	10
03089-1004	03089-2004	03089-3004	03089-4004	4	M8x1	18	38,5	15	6	13	4	10	-/13-/13	1	6	12
03089-1105	03089-2105	03089-3105	03089-4105	5	M10x1	21	43,5	17	7	15	5	13	-/17-/17	1,3	5	12
03089-1206	03089-2206	03089-3206	03089-4206	6	M12x1,5	25	51,7	20	8	17	6	14	-/19-/19	1,8	6	14
03089-1308	03089-2308	03089-3308	03089-4308	8	M16x1,5	33	68	26	10	23	8	19	-/24-/24	2,3	15	35
03089-1410	03089-2410	03089-3410	03089-4410	10	M20x1,5	33	74	28	12	25	10	22	-/30-/30	2,8	15	34
03089-1412	03089-2412	03089-3412	03089-4412	12	M20x1,5	33	78	28	14	25	12	22	-/30-/30	2,8	15	39
03089-1516	03089-2516	03089-3516	03089-4516	16	M24x2	40	96	32	18	28	16	27	-/36-/36	3,2	20	46

Indexing plungers, stainless steel, indexing pin hardened

Order No. Form A	Order No. Form B	Order No. Form C	Order No. Form D	D	D1	D2	L	L1	L2	L3	Travel S	SW1	SW2	Fx30°	Spring force initial pressure F1 approx. N	Spring force final pressure F2 approx. N
03089-01903	03089-02903	03089-03903	03089-04903	3	M6x0,75	14	31,5	12	5	10	3,5	8	-/10-/10	0,8	4,5	10
03089-01004	03089-02004	03089-03004	03089-04004	4	M8x1	18	38,5	15	6	13	4	10	-/13-/13	1	6	12
03089-01105	03089-02105	03089-03105	03089-04105	5	M10x1	21	43,5	17	7	15	5	13	-/17-/17	1,3	5	12
03089-01206	03089-02206	03089-03206	03089-04206	6	M12x1,5	25	51,7	20	8	17	6	14	-/19-/19	1,8	6	14
03089-01308	03089-02308	03089-03308	03089-04308	8	M16x1,5	33	68	26	10	23	8	19	-/24-/24	2,3	15	35
03089-01410	03089-02410	03089-03410	03089-04410	10	M20x1,5	33	74	28	12	25	10	22	-/30-/30	2,8	15	34
03089-01412	03089-02412	03089-03412	03089-04412	12	M20x1,5	33	78	28	14	25	12	22	-/30-/30	2,8	15	39
03089-01516	03089-02516	03089-03516	03089-04516	16	M24x2	40	96	32	18	28	16	27	-/36-/36	3,2	20	46

Indexing plungers, stainless steel, indexing pin not hardened

Order No. Form A	Order No. Form B	Order No. Form C	Order No. Form D	D	D1	D2	L	L1	L2	L3	Travel S	SW1	SW2	Fx30°	Spring force initial pressure F1 approx. N	Spring force final pressure F2 approx. N
03089-11903	03089-12903	03089-13903	03089-14903	3	M6x0,75	14	31,5	12	5	10	3,5	8	-/10-/10	0,8	4,5	10
03089-11004	03089-12004	03089-13004	03089-14004	4	M8x1	18	38,5	15	6	13	4	10	-/13-/13	1	6	12
03089-11105	03089-12105	03089-13105	03089-14105	5	M10x1	21	43,5	17	7	15	5	13	-/17-/17	1,3	5	12
03089-11206	03089-12206	03089-13206	03089-14206	6	M12x1,5	25	51,7	20	8	17	6	14	-/19-/19	1,8	6	14
03089-11308	03089-12308	03089-13308	03089-14308	8	M16x1,5	33	68	26	10	23	8	19	-/24-/24	2,3	15	35
03089-11410	03089-12410	03089-13410	03089-14410	10	M20x1,5	33	74	28	12	25	10	22	-/30-/30	2,8	15	34
03089-11412	03089-12412	03089-13412	03089-14412	12	M20x1,5	33	78	28	14	25	12	22	-/30-/30	2,8	15	39
03089-11516	03089-12516	03089-13516	03089-14516	16	M24x2	40	96	32	18	28	16	27	-/36-/36	3,2	20	46

Indexing plungers



Material:

Steel version
Indexing pin hardened:
grade 5.8.

Stainless steel version
Indexing pin hardened:
Threaded sleeve 1.4305
Indexing pin 1.4034

Indexing pin not hardened:
Threaded sleeve 1.4305
Indexing pin 1.4305

Mushroom knob red thermoplastic.

Version:

Steel version:
Indexing pin hardened, ground, black oxidised.

Stainless steel version:
Indexing pin hardened, ground and bright.
Indexing pin not hardened, ground and bright.

Sample order:

nIm 03089-0420684

Note:

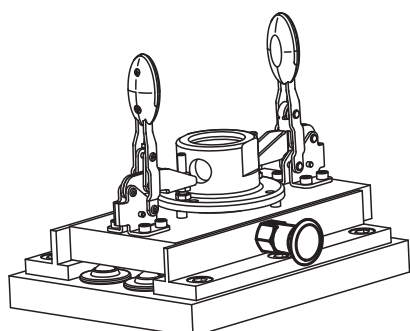
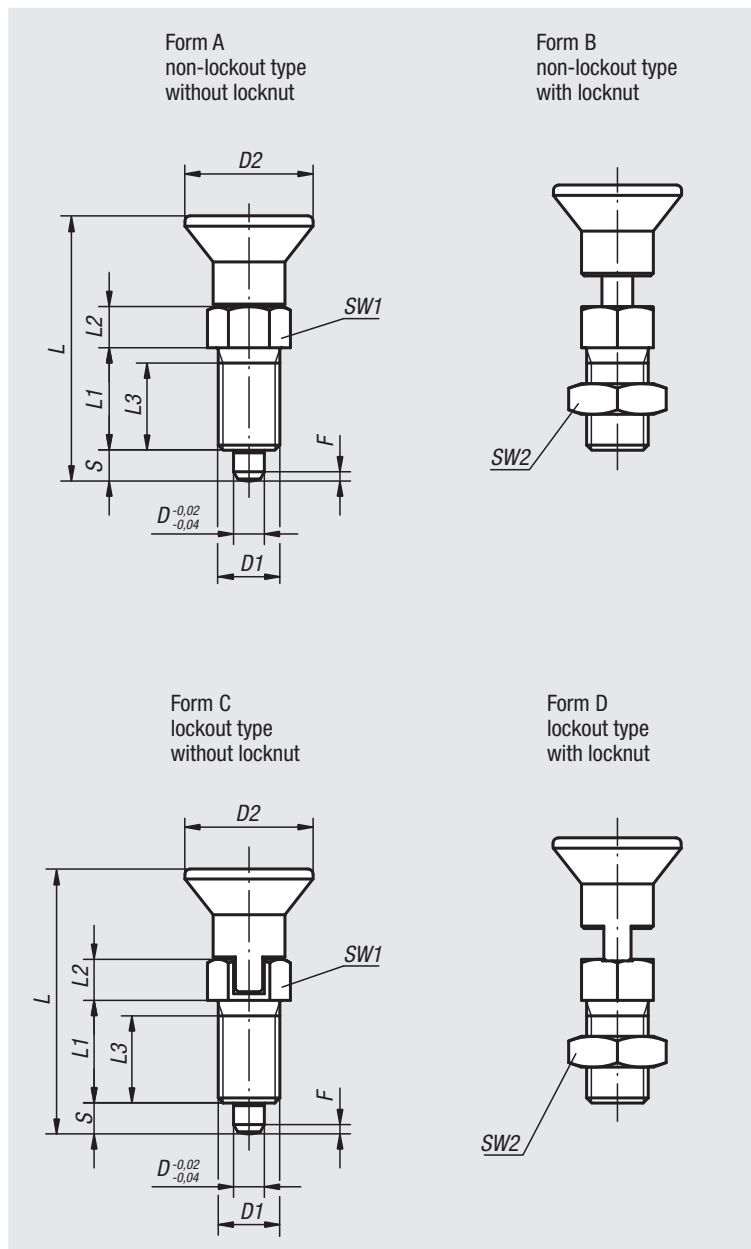
Indexing plungers are used to prevent any change in locking position due to lateral forces. A new locking position can only be set after the pin has been manually disengaged. Form C or D is recommended for applications where the plunger remains disengaged over a long period and the pin should be prevented from springing back.

On request:

Special versions.

Accessories:

Spacer rings 03089



Indexing plungers

Indexing plungers, steel, indexing pin hardened

Order No. Form A	Order No. Form B	Order No. Form C	Order No. Form D	D	D1	D2	L	L1	L2	L3	Travel S	SW1	SW2	Fx30°	Spring force initial pressure F1 approx. N	Spring force final pressure F2 approx. N
03089-190384	03089-290384	03089-390384	03089-490384	3	M6x0,75	14	31,5	12	5	10	3,5	8	-/10-/10	0,8	4,5	10
03089-100484	03089-200484	03089-300484	03089-400484	4	M8x1	18	38,5	15	6	13	4	10	-/13-/13	1	6	12
03089-110584	03089-210584	03089-310584	03089-410584	5	M10x1	21	43,5	17	7	15	5	13	-/17-/17	1,3	5	12
03089-120684	03089-220684	03089-320684	03089-420684	6	M12x1,5	25	51,7	20	8	17	6	14	-/19-/19	1,8	6	14
03089-130884	03089-230884	03089-330884	03089-430884	8	M16x1,5	33	68	26	10	23	8	19	-/24-/24	2,3	15	35
03089-141084	03089-241084	03089-341084	03089-441084	10	M20x1,5	33	74	28	12	25	10	22	-/30-/30	2,8	15	34
03089-141284	03089-241284	03089-341284	03089-441284	12	M20x1,5	33	78	28	14	25	12	22	-/30-/30	2,8	15	39
03089-151684	03089-251684	03089-351684	03089-451684	16	M24x2	40	96	32	18	28	16	27	-/36-/36	3,2	20	46

Indexing plungers, stainless steel, indexing pin hardened

Order No. Form A	Order No. Form B	Order No. Form C	Order No. Form D	D	D1	D2	L	L1	L2	L3	Travel S	SW1	SW2	Fx30°	Spring force initial pressure F1 approx. N	Spring force final pressure F2 approx. N
03089-0190384	03089-0290384	03089-0390384	03089-0490384	3	M6x0,75	14	31,5	12	5	10	3,5	8	-/10-/10	0,8	4,5	10
03089-0100484	03089-0200484	03089-0300484	03089-0400484	4	M8x1	18	38,5	15	6	13	4	10	-/13-/13	1	6	12
03089-0110584	03089-0210584	03089-0310584	03089-0410584	5	M10x1	21	43,5	17	7	15	5	13	-/17-/17	1,3	5	12
03089-0120684	03089-0220684	03089-0320684	03089-0420684	6	M12x1,5	25	51,7	20	8	17	6	14	-/19-/19	1,8	6	14
03089-0130884	03089-0230884	03089-0330884	03089-0430884	8	M16x1,5	33	68	26	10	23	8	19	-/24-/24	2,3	15	35
03089-0141084	03089-0241084	03089-0341084	03089-0441084	10	M20x1,5	33	74	28	12	25	10	22	-/30-/30	2,8	15	34
03089-0141284	03089-0241284	03089-0341284	03089-0441284	12	M20x1,5	33	78	28	14	25	12	22	-/30-/30	2,8	15	39
03089-0151684	03089-0251684	03089-0351684	03089-0451684	16	M24x2	40	96	32	18	28	16	27	-/36-/36	3,2	20	46

Indexing plungers, stainless steel, indexing pin not hardened

Order No. Form A	Order No. Form B	Order No. Form C	Order No. Form D	D	D1	D2	L	L1	L2	L3	Travel S	SW1	SW2	Fx30°	Spring force initial pressure F1 approx. N	Spring force final pressure F2 approx. N
03089-1190384	03089-1290384	03089-1390384	03089-1490384	3	M6x0,75	14	31,5	12	5	10	3,5	8	-/10-/10	0,8	4,5	10
03089-1100484	03089-1200484	03089-1300484	03089-1400484	4	M8x1	18	38,5	15	6	13	4	10	-/13-/13	1	6	12
03089-1110584	03089-1210584	03089-1310584	03089-1410584	5	M10x1	21	43,5	17	7	15	5	13	-/17-/17	1,3	5	12
03089-1120684	03089-1220684	03089-1320684	03089-1420684	6	M12x1,5	25	51,7	20	8	17	6	14	-/19-/19	1,8	6	14
03089-1130884	03089-1230884	03089-1330884	03089-1430884	8	M16x1,5	33	68	26	10	23	8	19	-/24-/24	2,3	15	35
03089-1141084	03089-1241084	03089-1341084	03089-1441084	10	M20x1,5	33	74	28	12	25	10	22	-/30-/30	2,8	15	34
03089-1141284	03089-1241284	03089-1341284	03089-1441284	12	M20x1,5	33	78	28	14	25	12	22	-/30-/30	2,8	15	39
03089-1151684	03089-1251684	03089-1351684	03089-1451684	16	M24x2	40	96	32	18	28	16	27	-/36-/36	3,2	20	46

Indexing plungers

with thread lock



Material:

Steel version:

Indexing pin hardened:

Threaded sleeve and indexing pin free-cutting steel

Stainless steel version:

Indexing pin hardened:

Threaded sleeve 1.4305

Indexing pin 1.4034.

Mushroom knob black grey thermoplastic.

Thread lock blue polyamide.

Version:

Steel version:

indexing pin hardened, ground and black oxidised.

Stainless steel version:

indexing pin hardened, ground and bright.

Sample order:

nIm 03089-091206

Note:

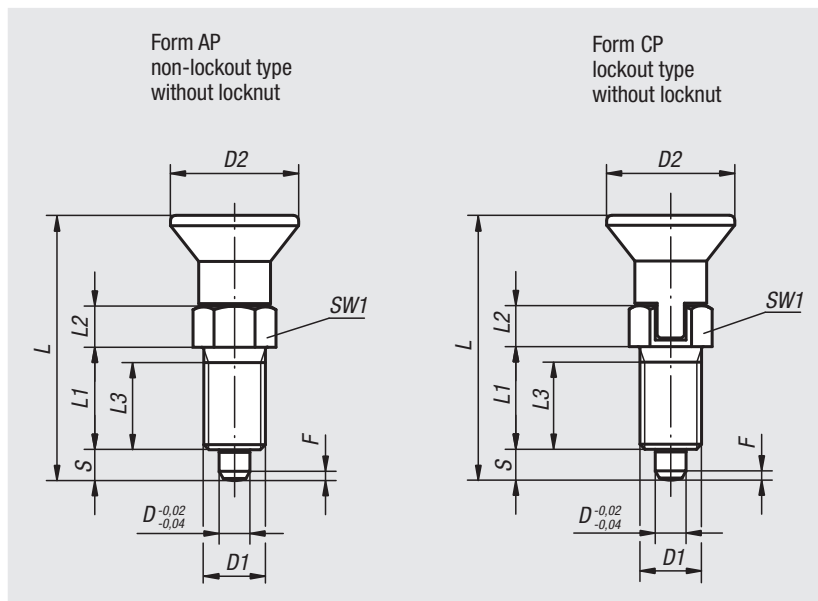
Indexing plungers are used to prevent any change in locking position due to lateral forces. A new locking position can only be set after the pin has been manually disengaged. Form CP is recommended for applications where the plunger remains disengaged over a long period and the pin should be prevented from springing back.

The thread lock enables the plunger to be screwed in to the exact depth required, no spacer ring is required.

The thread lock is a gripping polyamide coating that is applied punctiform (spot).

On request:

Special versions.



Indexing plungers

with thread lock

Indexing plungers, with thread lock, steel, indexing pin hardened

Order No. Form AP	Order No. Form CP	D	D1	D2	L	L1	L2	L3	Travel S	SW1	Fx30°	Spring force initial pressure F1 approx. N	Spring force final pressure F2 approx. N
03089-91903	03089-93903	3	M6x0,75	14	31,5	12	5	10	3,5	8	0,8	4,5	10
03089-91004	03089-93004	4	M8x1	18	38,5	15	6	13	4	10	1	6	12
03089-91105	03089-93105	5	M10x1	21	43,5	17	7	15	5	13	1,3	5	12
03089-91206	03089-93206	6	M12x1,5	25	51,7	20	8	17	6	14	1,8	6	14
03089-91308	03089-93308	8	M16x1,5	33	68	26	10	23	8	19	2,3	15	35
03089-91410	03089-93410	10	M20x1,5	33	74	28	12	25	10	22	2,8	15	34
03089-91412	03089-93412	12	M20x1,5	33	78	28	14	25	12	22	2,8	15	39
03089-91516	03089-93516	16	M24x2	40	96	32	18	28	16	27	3,2	20	46

Indexing plungers, with thread lock, stainless steel, indexing pin hardened

Order No. Form AP	Order No. Form CP	D	D1	D2	L	L1	L2	L3	Travel S	SW1	Fx30°	Spring force initial pressure F1 approx. N	Spring force final pressure F2 approx. N
03089-091903	03089-093903	3	M6x0,75	14	31,5	12	5	10	3,5	8	0,8	4,5	10
03089-091004	03089-093004	4	M8x1	18	38,5	15	6	13	4	10	1	6	12
03089-091105	03089-093105	5	M10x1	21	43,5	17	7	15	5	13	1,3	5	12
03089-091206	03089-093206	6	M12x1,5	25	51,7	20	8	17	6	14	1,8	6	14
03089-091308	03089-093308	8	M16x1,5	33	68	26	10	23	8	19	2,3	15	35
03089-091410	03089-093410	10	M20x1,5	33	74	28	12	25	10	22	2,8	15	34
03089-091412	03089-093412	12	M20x1,5	33	78	28	14	25	12	22	2,8	15	39
03089-091516	03089-093516	16	M24x2	40	96	32	18	28	16	27	3,2	20	46

Indexing plungers

with extended indexing pin



Material:

Steel version

Indexing pin hardened:
grade 5.8.

Stainless steel version

Indexing pin hardened:
Threaded sleeve 1.4305.
Indexing pin 1.4034.

Indexing pin not hardened:

Threaded sleeve 1.4305.
Indexing pin 1.4305.

Mushroom knob black-grey thermoplastic.

Version:

Steel version:

Indexing pin hardened, ground, black oxidised.

Stainless steel version:

Indexing pin hardened, ground and bright.
Indexing pin not hardened, ground and bright.

Sample order:

n1m 03089-21004

Note:

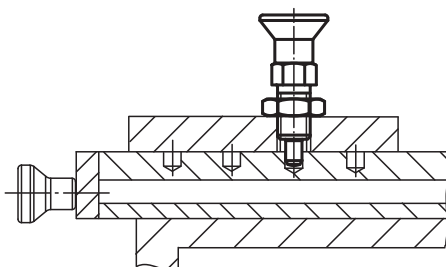
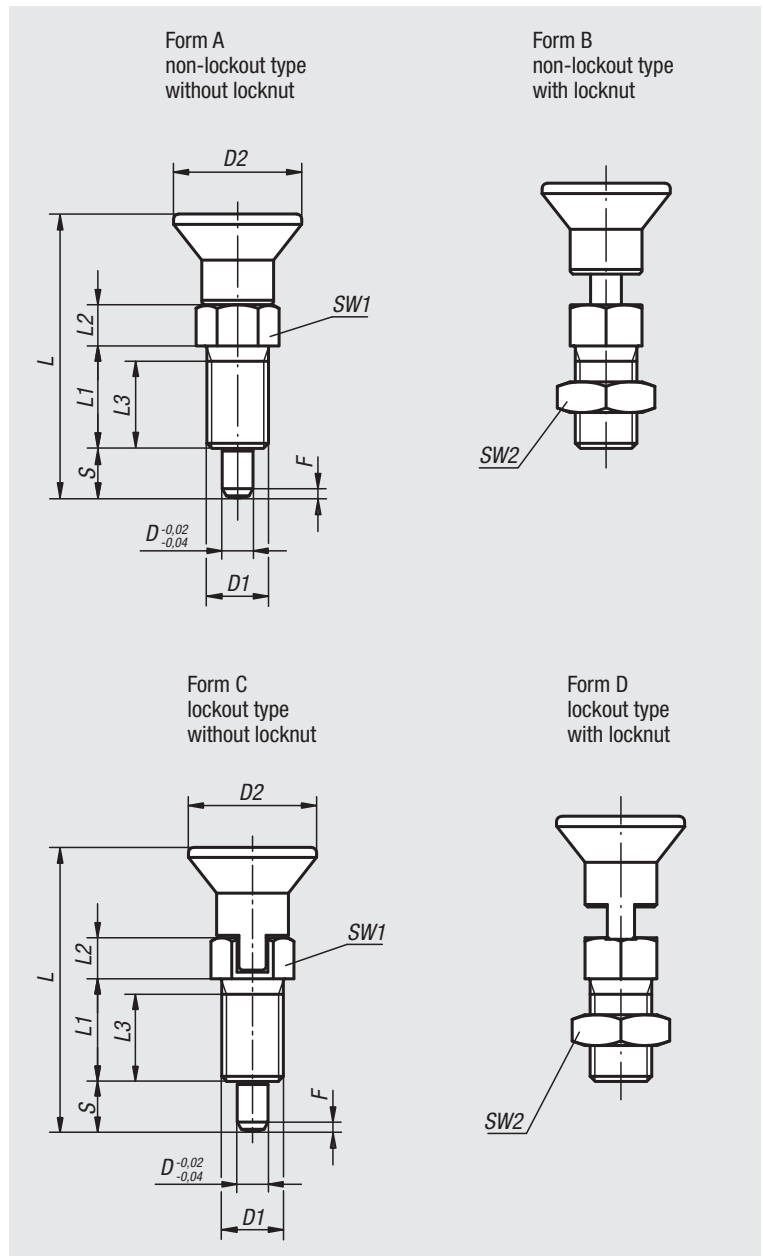
Indexing plungers are used to prevent any change in locking position due to lateral forces. A new locking position can only be set after the pin has been manually disengaged.

On request:

Special versions.

Accessories:

Spacer rings 03089



Indexing plungers with extended indexing pins, steel, indexing pins hardened

Order No. Form A	Order No. Form B	D	D1	D2	L	L1	L2	L3	Travel S	SW1	SW2	Fx30°	Spring force initial pressure F1 approx. N	Spring force final pressure F2 approx. N
03089-21903	03089-22903	3	M6x0,75	14	33	12	5	10	5	8	-/10	0,8	4,5	12
03089-21004	03089-22004	4	M8x1	18	40,5	15	6	13	6	10	-/13	1	6	15
03089-21105	03089-22105	5	M10x1	21	46,5	17	7	15	8	13	-/17	1,3	5	16
03089-21206	03089-22206	6	M12x1,5	25	54,7	20	8	17	9	14	-/19	1,8	6	18
03089-21308	03089-22308	8	M16x1,5	33	72	26	10	23	12	19	-/24	2,3	15	45
03089-21410	03089-22410	10	M20x1,5	33	79	28	12	25	15	22	-/30	2,8	15	43
03089-21412	03089-22412	12	M20x1,5	33	84	28	14	25	18	22	-/30	2,8	15	51
03089-21516	03089-22516	16	M24x2	40	104	32	18	28	24	27	-/36	3,2	20	60

Order No. Form C	Order No. Form D	D	D1	D2	L	L1	L2	L3	Travel S	SW1	SW2	Fx30°	Spring force initial pressure F1 approx. N	Spring force final pressure F2 approx. N
03089-23105	03089-24105	5	M10x1	21	49,5	17	10	15	8	13	-/17	1,3	5	16
03089-23206	03089-24206	6	M12x1,5	25	57,7	20	11	17	9	14	-/19	1,8	6	18
03089-23308	03089-24308	8	M16x1,5	33	76	26	14	23	12	19	-/24	2,3	15	45

Indexing plungers with extended indexing pins, stainless steel, indexing pins hardened

Order No. Form A	Order No. Form B	D	D1	D2	L	L1	L2	L3	Travel S	SW1	SW2	Fx30°	Spring force initial pressure F1 approx. N	Spring force final pressure F2 approx. N
03089-201903	03089-202903	3	M6x0,75	14	33	12	5	10	5	8	-/10	0,8	4,5	12
03089-201004	03089-202004	4	M8x1	18	40,5	15	6	13	6	10	-/13	1	6	15
03089-201105	03089-202105	5	M10x1	21	46,5	17	7	15	8	13	-/17	1,3	5	16
03089-201206	03089-202206	6	M12x1,5	25	54,7	20	8	17	9	14	-/19	1,8	6	18
03089-201308	03089-202308	8	M16x1,5	33	72	26	10	23	12	19	-/24	2,3	15	45
03089-201410	03089-202410	10	M20x1,5	33	79	28	12	25	15	22	-/30	2,8	15	43
03089-201412	03089-202412	12	M20x1,5	33	84	28	14	25	18	22	-/30	2,8	15	51
03089-201516	03089-202516	16	M24x2	40	104	32	18	28	24	27	-/36	3,2	20	60

Order No. Form C	Order No. Form D	D	D1	D2	L	L1	L2	L3	Travel S	SW1	SW2	Fx30°	Spring force initial pressure F1 approx. N	Spring force final pressure F2 approx. N
03089-203105	03089-204105	5	M10x1	21	49,5	17	10	15	8	13	-/17	1,3	5	16
03089-203206	03089-204206	6	M12x1,5	25	57,7	20	11	17	9	14	-/19	1,8	6	18
03089-203308	03089-204308	8	M16x1,5	33	76	26	14	23	12	19	-/24	2,3	15	45

Indexing plungers with extended indexing pins, stainless steel, indexing pins not hardened

Order No. Form A	Order No. Form B	D	D1	D2	L	L1	L2	L3	Travel S	SW1	SW2	Fx30°	Spring force initial pressure F1 approx. N	Spring force final pressure F2 approx. N
03089-211903	03089-212903	3	M6x0,75	14	33	12	5	10	5	8	-/10	0,8	4,5	12
03089-211004	03089-212004	4	M8x1	18	40,5	15	6	13	6	10	-/13	1	6	15
03089-211105	03089-212105	5	M10x1	21	46,5	17	7	15	8	13	-/17	1,3	5	16
03089-211206	03089-212206	6	M12x1,5	25	54,7	20	8	17	9	14	-/19	1,8	6	18
03089-211308	03089-212308	8	M16x1,5	33	72	26	10	23	12	19	-/24	2,3	15	45
03089-211410	03089-212410	10	M20x1,5	33	79	28	12	25	15	22	-/30	2,8	15	43
03089-211412	03089-212412	12	M20x1,5	33	84	28	14	25	18	22	-/30	2,8	15	51
03089-211516	03089-212516	16	M24x2	40	104	32	18	28	24	27	-/36	3,2	20	60

Order No. Form C	Order No. Form D	D	D1	D2	L	L1	L2	L3	Travel S	SW1	SW2	Fx30°	Spring force initial pressure F1 approx. N	Spring force final pressure F2 approx. N
03089-213105	03089-214105	5	M10x1	21	49,5	17	10	15	8	13	-/17	1,3	5	16
03089-213206	03089-214206	6	M12x1,5	25	57,7	20	11	17	9	14	-/19	1,8	6	18
03089-213308	03089-214308	8	M16x1,5	33	76	26	14	23	12	19	-/24	2,3	15	45

Indexing plungers

short version



Material:

Steel version

Indexing pin hardened:
grade 5.8

Stainless steel version

Indexing pin not hardened:

Threaded sleeve 1.4305.

Indexing pin 1.4305.

Mushroom knob black-grey thermoplastic.

Version:

Steel version:

Indexing pin hardened, ground, black oxidised.

Stainless steel version:

Indexing pin not hardened, ground, bright.

Sample order:

nIm 03089-16206

Note:

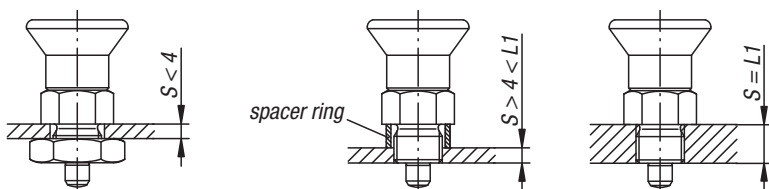
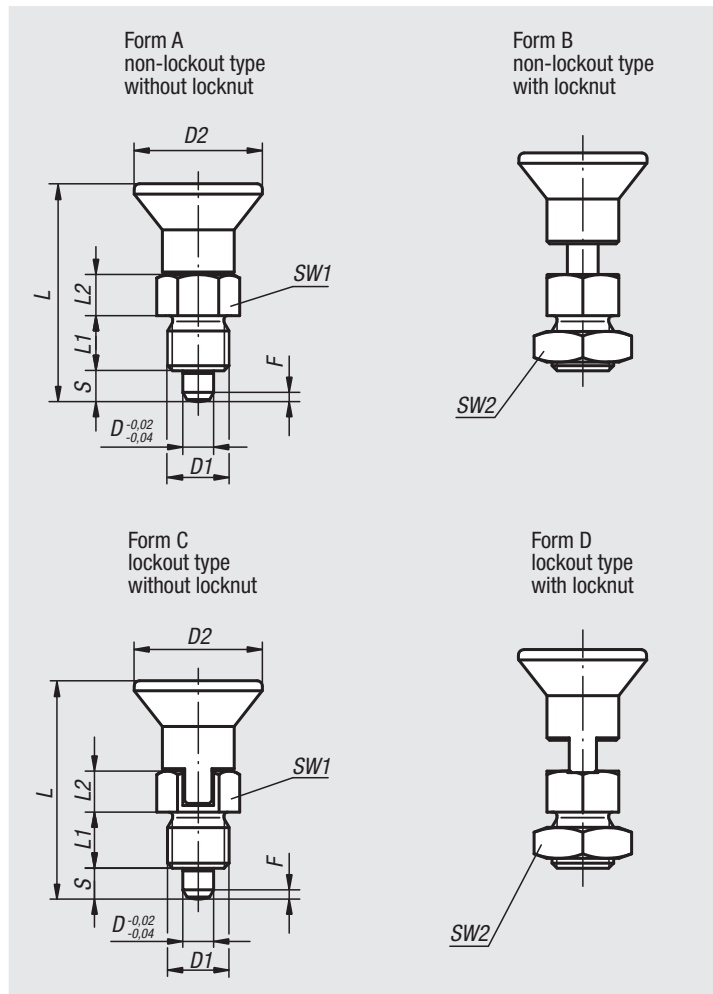
Indexing plungers are used to prevent any change in position due to lateral forces. A new locking position can only be set after the pin has been manually disengaged. Form C or D is recommended for applications in which the pin is disengaged over extended periods and should be prevented from springing back.

On request:

Special versions.

Accessories:

Spacer rings 03089



Indexing plungers

short version

Indexing plungers, short version, steel, indexing pin hardened

Order No. Form A	Order No. Form B	Order No. Form C	Order No. Form D	D	D1	D2	L	L1	L2	Travel S	SW1	SW2	Fx30°	Spring force initial pressure F1 approx. N	Spring force final pressure F2 approx. N
03089-5903	03089-6903	03089-7903	03089-8903	3	M6x0,75	14	25,5	6	5	3,5	8	-/10/-/10	0,8	4	10
03089-5004	03089-6004	03089-7004	03089-8004	4	M8x1	18	29,5	6	6	4	10	-/13/-/13	1	4	12
03089-5105	03089-6105	03089-7105	03089-8105	5	M10x1	21	34,5	8	7	5	13	-/17/-/17	1,3	5	12
03089-5206	03089-6206	03089-7206	03089-8206	6	M12x1,5	25	41,7	10	8	6	14	-/19/-/19	1,8	6	14
03089-5308	03089-6308	03089-7308	03089-8308	8	M16x1,5	33	54	12	10	8	19	-/24/-/24	2,3	14	28
03089-5410	03089-6410	03089-7410	03089-8410	10	M20x1,5	33	61	15	12	10	22	-/30/-/30	2,8	15	32

Indexing plungers, short version, stainless steel, indexing pin not hardened

Order No. Form A	Order No. Form B	Order No. Form C	Order No. Form D	D	D1	D2	L	L1	L2	Travel S	SW1	SW2	Fx30°	Spring force initial pressure F1 approx. N	Spring force final pressure F2 approx. N
03089-15903	03089-16903	03089-17903	03089-18903	3	M6x0,75	14	25,5	6	5	3,5	8	-/10/-/10	0,8	4	10
03089-15004	03089-16004	03089-17004	03089-18004	4	M8x1	18	29,5	6	6	4	10	-/13/-/13	1	4	12
03089-15105	03089-16105	03089-17105	03089-18105	5	M10x1	21	34,5	8	7	5	13	-/17/-/17	1,3	5	12
03089-15206	03089-16206	03089-17206	03089-18206	6	M12x1,5	25	41,7	10	8	6	14	-/19/-/19	1,8	6	14
03089-15308	03089-16308	03089-17308	03089-18308	8	M16x1,5	33	54	12	10	8	19	-/24/-/24	2,3	14	28
03089-15410	03089-16410	03089-17410	03089-18410	10	M20x1,5	33	61	15	12	10	22	-/30/-/30	2,8	15	32

Indexing plungers

short version



Material:

Steel version:
Indexing pin hardened:
steel grade 5.8.

Stainless steel version,
Indexing pin not hardened
Threaded sleeve and indexing pin 1.4305.

Mushroom knob red thermoplastic

Version:

Steel version:
Indexing pin hardened, ground, black oxidised.

Stainless steel version:
Indexing pin not hardened, ground, bright.

Sample order:

nIm 03089-1620684

Note:

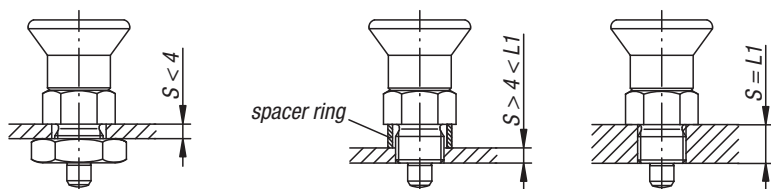
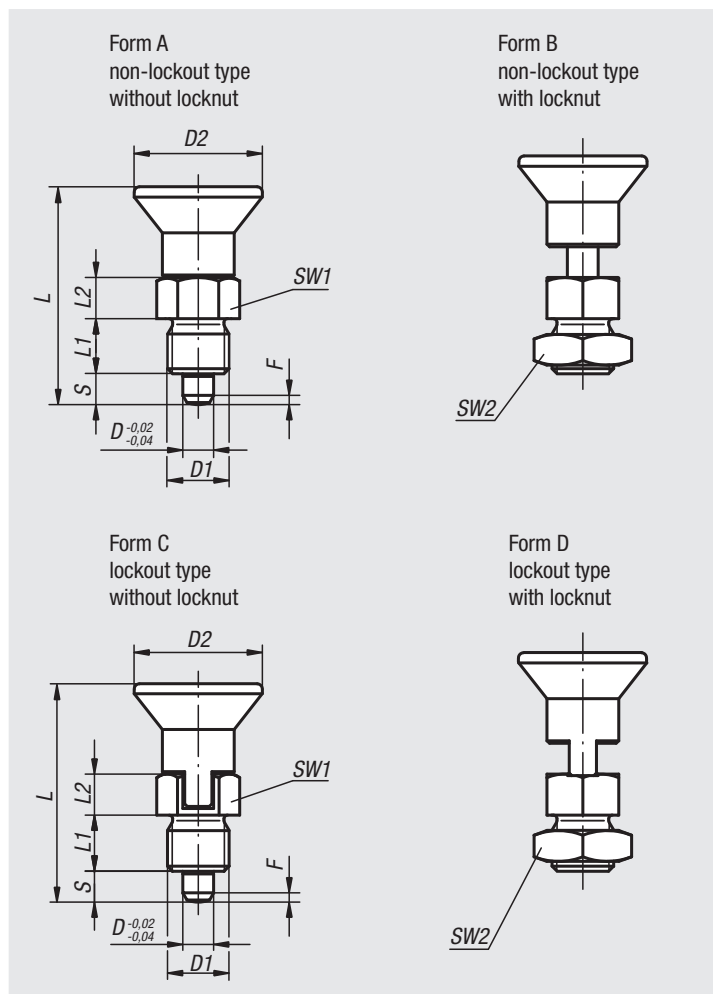
Indexing plungers are used to prevent any change in position due to lateral forces. A new locking position can only be set after the pin has been manually disengaged. Form C or D is recommended for applications in which the pin is disengaged over extended periods and should be prevented from springing back.

On request:

Special versions.

Accessories:

Spacer rings 03089



Indexing plungers

short version

Indexing plungers, short version, steel, indexing pin hardened

Order No. Form A	Order No. Form B	Order No. Form C	Order No. Form D	D	D1	D2	L	L1	L2	Travel S	SW1	SW2	Fx30°	Spring force initial pressure F1 approx. N	Spring force final pressure F2 approx. N
03089-590384	03089-690384	03089-790384	03089-890384	3	M6x0,75	14	25,5	6	5	3,5	8	-/10/-/10	0,8	4	10
03089-500484	03089-600484	03089-700484	03089-800484	4	M8x1	18	29,5	6	6	4	10	-/13/-/13	1	4	12
03089-510584	03089-610584	03089-710584	03089-810584	5	M10x1	21	34,5	8	7	5	13	-/17/-/17	1,3	5	12
03089-520684	03089-620684	03089-720684	03089-820684	6	M12x1,5	25	41,7	10	8	6	14	-/19/-/19	1,8	6	14
03089-530884	03089-630884	03089-730884	03089-830884	8	M16x1,5	33	54	12	10	8	19	-/24/-/24	2,3	14	28
03089-541084	03089-641084	03089-741084	03089-841084	10	M20x1,5	33	61	15	12	10	22	-/30/-/30	2,8	15	32

Indexing plungers, short version, stainless steel, indexing pin not hardened

Order No. Form A	Order No. Form B	Order No. Form C	Order No. Form D	D	D1	D2	L	L1	L2	Travel S	SW1	SW2	Fx30°	Spring force initial pressure F1 approx. N	Spring force final pressure F2 approx. N
03089-1590384	03089-1690384	03089-1790384	03089-1890384	3	M6x0,75	14	25,5	6	5	3,5	8	-/10/-/10	0,8	4	10
03089-1500484	03089-1600484	03089-1700484	03089-1800484	4	M8x1	18	29,5	6	6	4	10	-/13/-/13	1	4	12
03089-1510584	03089-1610584	03089-1710584	03089-1810584	5	M10x1	21	34,5	8	7	5	13	-/17/-/17	1,3	5	12
03089-1520684	03089-1620684	03089-1720684	03089-1820684	6	M12x1,5	25	41,7	10	8	6	14	-/19/-/19	1,8	6	14
03089-1530884	03089-1630884	03089-1730884	03089-1830884	8	M16x1,5	33	54	12	10	8	19	-/24/-/24	2,3	14	28
03089-1541084	03089-1641084	03089-1741084	03089-1841084	10	M20x1,5	33	61	15	12	10	22	-/30/-/30	2,8	15	32

Indexing plungers

short version, with thread lock



Material:

Steel version:

Indexing pin hardened:

Threaded sleeve and indexing pin steel.

Stainless steel version:

Indexing pin not hardened:

Threaded sleeve and indexing pin 1.4305.

Mushroom knob black grey thermoplastic.

Thread lock blue polyamide.

Version:

Steel version:

Indexing pin hardened, ground, black oxidised.

Stainless steel version:

Indexing pin not hardened, ground, bright.

Sample order:

nIm 03089-95903

Note:

Indexing plungers are used to prevent any change in locking position due to lateral forces. A new locking position can only be set after the pin has been manually disengaged.

Form CP is recommended for applications where the plunger remains disengaged over a long period and the pin should be prevented from springing back.

The thread lock enables the plunger to be screwed in to the exact depth required, no spacer ring is required.

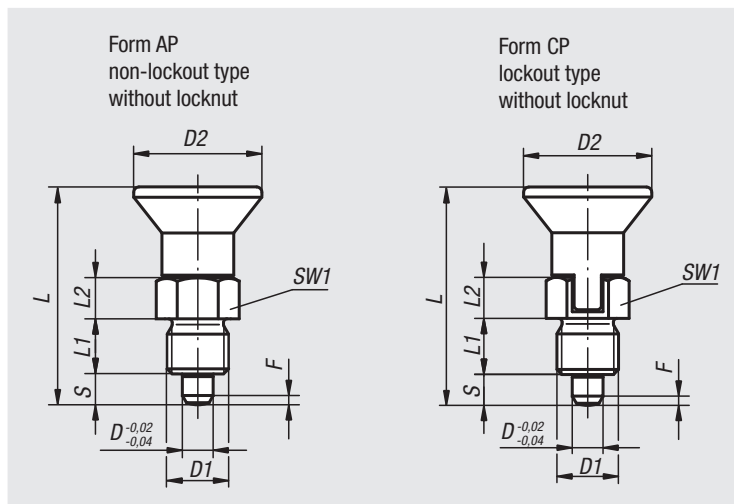
The thread lock is a gripping polyamide coating that is applied punctiform (spot).

On request:

Special versions.

Accessories:

Spacer rings 03089



Indexing plungers

short version, with thread lock

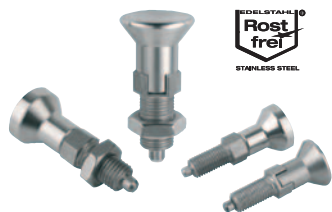
Indexing plungers, short version, with thread lock, steel, indexing pin hardened

Order No. Form AP	Order No. Form CP	D	D1	D2	L	L1	L2	Travel S	SW1	Fx30°	Spring force initial pressure F1 approx. N	Spring force final pressure F2 approx. N
03089-95903	03089-97903	3	M6x0,75	14	25,5	6	6	3,5	8	0,8	4	10
03089-95004	03089-97004	4	M8x1	18	29,5	6	6	4	10	1	4	12
03089-95105	03089-97105	5	M10x1	21	34,5	8	7	5	13	1,3	5	12
03089-95206	03089-97206	6	M12x1,5	25	41,7	10	8	6	14	1,8	6	14
03089-95308	03089-97308	8	M16x1,5	33	54	12	10	8	19	2,3	14	28
03089-95410	03089-97410	10	M20x1,5	33	61	15	12	10	22	2,8	15	32

Indexing plungers, short version, with thread lock, stainless steel, indexing pin not hardened

Order No. Form AP	Order No. Form CP	D	D1	D2	L	L1	L2	Travel S	SW1	Fx30°	Spring force initial pressure F1 approx. N	Spring force final pressure F2 approx. N
03089-195903	03089-197903	3	M6x0,75	14	25,5	6	6	3,5	8	0,8	4	10
03089-195004	03089-197004	4	M8x1	18	29,5	6	6	4	10	1	4	12
03089-195105	03089-197105	5	M10x1	21	34,5	8	7	5	13	1,3	5	12
03089-195206	03089-197206	6	M12x1,5	25	41,7	10	8	6	14	1,8	6	14
03089-195308	03089-197308	8	M16x1,5	33	54	12	10	8	19	2,3	14	28
03089-195410	03089-197410	10	M20x1,5	33	61	15	12	10	22	2,8	15	32

Indexing plungers stainless steel



Material:

Indexing pin hardened:
Threaded sleeve 1.4305.
Indexing pin 1.4034.

Indexing pin not hardened:
Threaded sleeve 1.4305.
Indexing pin 1.4305.

Mushroom knob 1.4305, electropolished.

Version:

Bright.
Indexing pin ground.

Sample order:

nIm 03089-001004

Note:

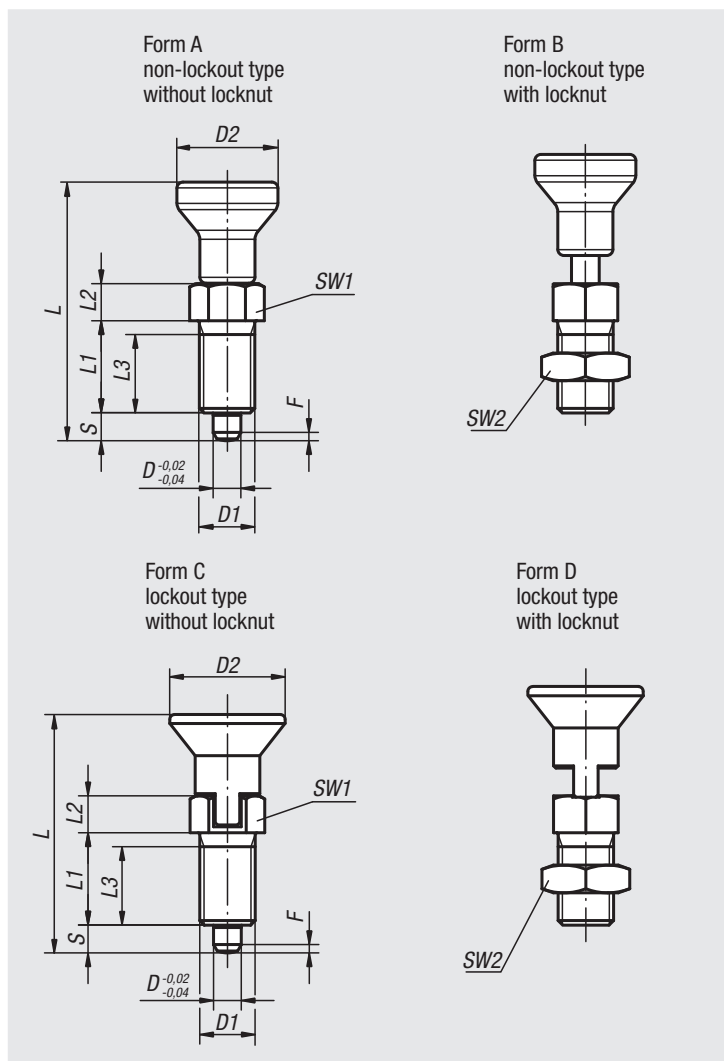
Indexing plungers are used to prevent any change in locking position due to lateral forces. A new locking position can only be set after the pin has been manually disengaged. Form C or D is recommended for applications in which the pin is disengaged over extended periods and should be prevented from springing back.

On request:

Special versions.

Accessories:

Spacer rings 03089



Indexing plungers stainless steel, indexing pin hardened

Order No. Form A	Order No. Form B	Order No. Form C	Order No. Form D	D	D1	D2	L	L1	L2	L3	Travel S	SW1	SW2	Fx30°	Spring force initial pressure F1 approx. N	Spring force final pressure F2 approx. N
03089-001903	03089-002903	03089-003903	03089-004903	3	M6x0,75	14	34,5/34,5/31,5/31,5	12	5	10	3,5	8	-/10/-/10	0,8	4,5	10
03089-001004	03089-002004	03089-003004	03089-004004	4	M8x1	18	43/43/38,5/38,5	15	6	13	4	10	-/13/-/13	1	6	12
03089-001105	03089-002105	03089-003105	03089-004105	5	M10x1	21	50/50/43,5/43,5	17	7	15	5	13	-/17/-/17	1,3	5	12
03089-001206	03089-002206	03089-003206	03089-004206	6	M12x1,5	25	59/59/51,7/51,7	20	8	17	6	14	-/19/-/19	1,8	6	14
03089-001308	03089-002308	03089-003308	03089-004308	8	M16x1,5	33	77/77/68/68	26	10	23	8	19	-/24/-/24	2,3	15	35
03089-001410	03089-002410	03089-003410	03089-004410	10	M20x1,5	33	83/83/74/74	28	12	25	10	22	-/30/-/30	2,8	15	34
03089-001412	03089-002412	03089-003412	03089-004412	12	M20x1,5	33	87/87/78/78	28	14	25	12	22	-/30/-/30	2,8	15	39
03089-001516	03089-002516	03089-003516	03089-004516	16	M24x2	40	106/106/96/96	32	18	28	16	27	-/36/-/36	3,2	20	46

Indexing plungers stainless steel, indexing pin not hardened

Order No. Form A	Order No. Form B	Order No. Form C	Order No. Form D	D	D1	D2	L	L1	L2	L3	Travel S	SW1	SW2	Fx30°	Spring force initial pressure F1 approx. N	Spring force final pressure F2 approx. N
03089-111903	03089-112903	03089-113903	03089-114903	3	M6x0,75	14	34,5/34,5/31,5/31,5	12	5	10	3,5	8	-/10/-/10	0,8	4,5	10
03089-111004	03089-112004	03089-113004	03089-114004	4	M8x1	18	43/43/38,5/38,5	15	6	13	4	10	-/13/-/13	1	6	12
03089-111105	03089-112105	03089-113105	03089-114105	5	M10x1	21	50/50/43,5/43,5	17	7	15	5	13	-/17/-/17	1,3	5	12
03089-111206	03089-112206	03089-113206	03089-114206	6	M12x1,5	25	59/59/51,7/51,7	20	8	17	6	14	-/19/-/19	1,8	6	14
03089-111308	03089-112308	03089-113308	03089-114308	8	M16x1,5	33	77/77/68/68	26	10	23	8	19	-/24/-/24	2,3	15	35
03089-111410	03089-112410	03089-113410	03089-114410	10	M20x1,5	33	83/83/74/74	28	12	25	10	22	-/30/-/30	2,8	15	34
03089-111412	03089-112412	03089-113412	03089-114412	12	M20x1,5	33	87/87/78/78	28	14	25	12	22	-/30/-/30	2,8	15	39
03089-111516	03089-112516	03089-113516	03089-114516	16	M24x2	40	106/106/96/96	32	18	28	16	27	-/36/-/36	3,2	20	46

Indexing plungers

for thin-walled parts



Material:

Steel version
Indexing pin hardened:
grade 5.8

Stainless steel version
Indexing pin not hardened:
Threaded sleeve 1.4305.
Indexing pin 1.4305.

Mushroom knob black-grey thermoplastic.

Version:

Steel version:
Indexing pin hardened, ground, black oxidised.

Stainless steel version:
Indexing pin not hardened, ground, bright.

Sample order:

nIm 03089-31105 (indexing plunger)
nIm 03089-91416 (ring spanner)

Note:

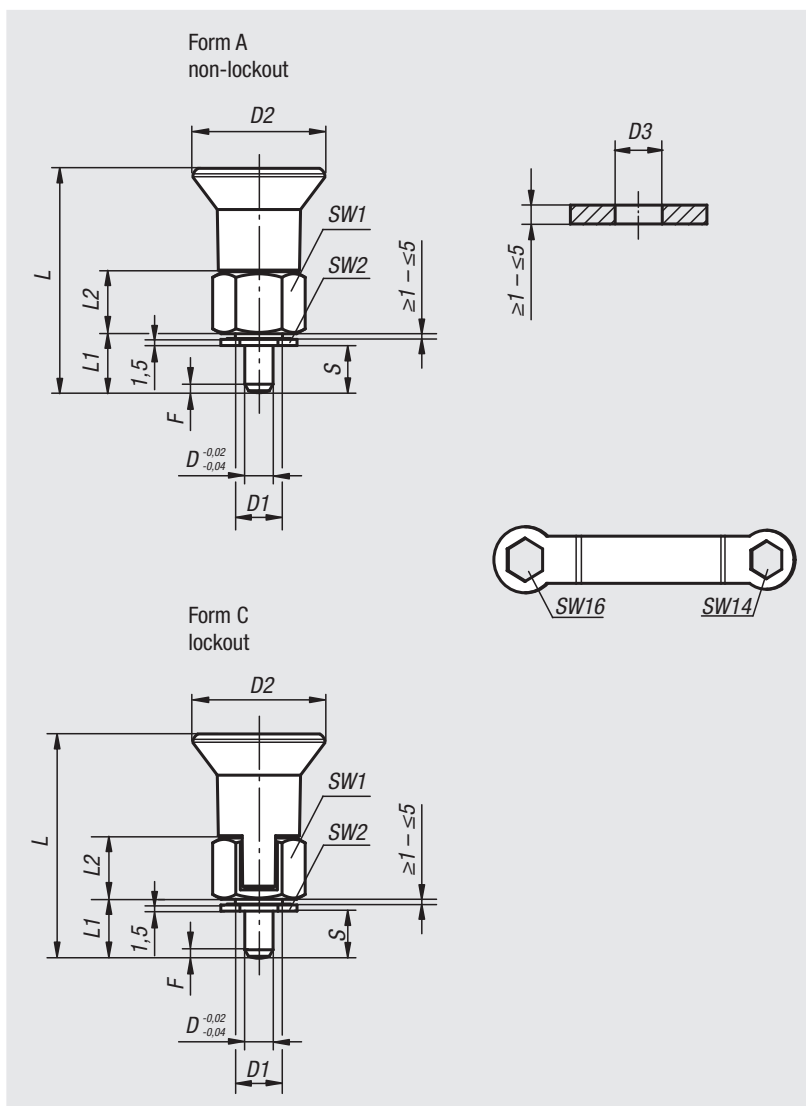
These indexing plungers have been specially designed for assembly in thin-walled parts.

Indexing plungers are used where any change in locking position due to lateral forces should be prevented. A new locking position can be set only after the pin has been manually disengaged.

Form C is recommended for applications where the locking pin should remain disengaged for an extended period and be prevented from springing back.

Accessories:

A double-ended ring spanner can be supplied as an accessory to tighten the nut.



Indexing plungers for thin-walled parts, steel, indexing pin hardened

Order No.	Form	D	D1	D2	D3	L	L1	L2	Travel S	SW1	SW2	Fx30°	Spring force initial pressure F1 approx. N	Spring force final pressure F2 approx. N	Article number double-ended ring spanner
03089-31105	A	5	M10x1	28	10	46,5	11,5	13	5-9	17	14	1,3	6	15	03089-91416
03089-31206	A	6	M10x1	28	10	47,5	12,5	13	6-10	17	14	1,8	7	19	03089-91416
03089-33105	C	5	M10x1	28	10	46,5	11,5	13	5-9	17	14	1,3	6	15	03089-91416
03089-33206	C	6	M10x1	28	10	47,5	12,5	13	6-10	17	14	1,8	7	19	03089-91416

Indexing plungers for thin-walled parts, stainless steel, indexing pin not hardened

Order No.	Form	D	D1	D2	D3	L	L1	L2	Travel S	SW1	SW2	Fx30°	Spring force initial pressure F1 approx. N	Spring force final pressure F2 approx. N	Article number double-ended ring spanner
03089-311105	A	5	M10x1	28	10	46,5	11,5	13	5-9	17	14	1,3	6	15	03089-91416
03089-311206	A	6	M10x1	28	10	47,5	12,5	13	6-10	17	14	1,8	7	19	03089-91416
03089-313105	C	5	M10x1	28	10	46,5	11,5	13	5-9	17	14	1,3	6	15	03089-91416
03089-313206	C	6	M10x1	28	10	47,5	12,5	13	6-10	17	14	1,8	7	19	03089-91416

Indexing plungers - Premium

with cylindrical pin



Material:

Steel version:
indexing pin hardened: grade 5.8

Stainless steel version:
indexing pin hardened: threaded sleeve 1.4305, indexing pin 1.4305.

Mushroom knob black grey thermoplastic.

Version:

Steel version:
indexing pin hardened, ground and black oxidised.

Stainless steel version:
indexing pin hardened, ground and bright.

Sample order:

nIm 03089-41105

Note:

Premium indexing plungers are characterized by more stringent manufacturing requirements for the indexing plungers and threaded sleeve. In addition, a centring locator that can be used to increase the positioning accuracy is provided on the threaded sleeve. These indexing plungers are used when it is necessary to prevent shifting of the locked position by transverse forces and greater positioning accuracy is required. A new locking position can only be set after the pin has been manually disengaged. When high lateral forces are to be expected, the centring locator should be used.

Assembly:

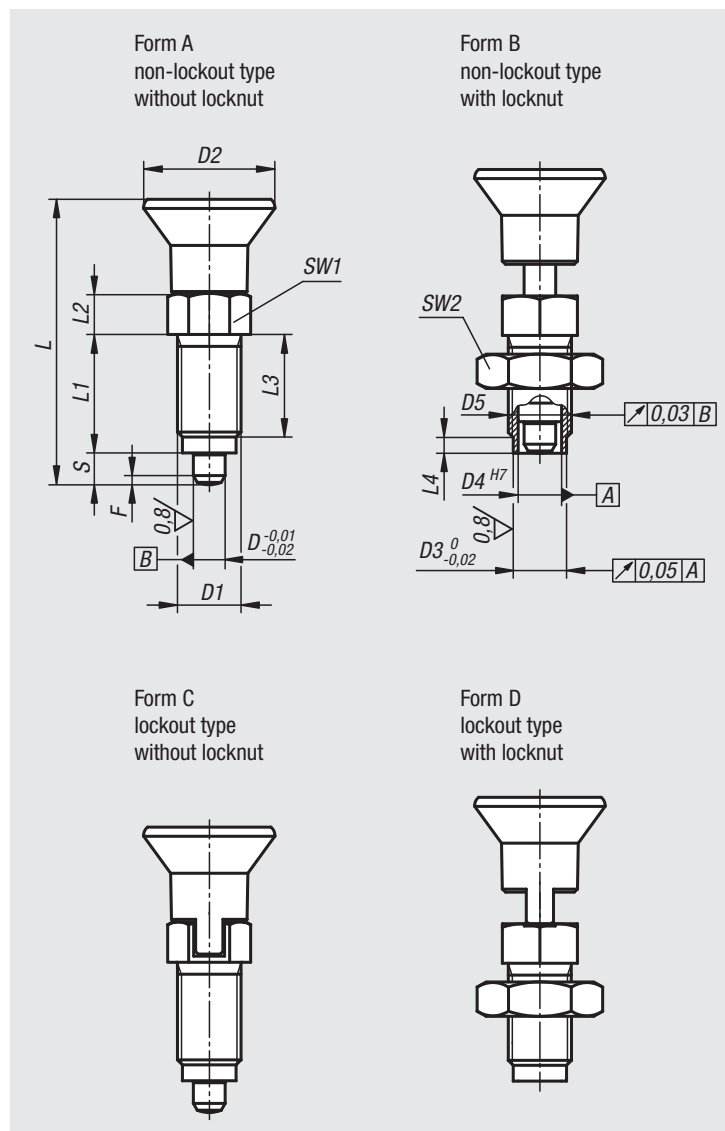
When using the threaded sleeve centring, it is recommended the receiving reamed hole be machined before tapping.

On request:

Special versions and spacer rings.

Accessories:

Matching cylindrical bush 03089.
Locknut 07212-....



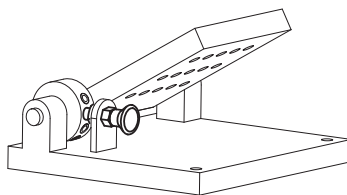
Premium indexing plungers with cylindrical pin, steel, indexing pin hardened

Order No. Form A	Order No. Form B	D	D1	D2	D3	D4	D5	L	L1	L2	L3	L4	Travel S	SW1	SW2	Fx30°	Spring force initial pressure F1 approx. N	Spring force final pressure F2 approx. N
03089-41105	03089-42105	5	M10x1	21	8	6	6 -0,01/-0,02	43,5	17	7	15	3	5	13	-/17	1,3	5	12
03089-41206	03089-42206	6	M12x1,5	25	10	8,5	8,5 -0,01/-0,03	51,7	20	8	17	3	6	14	-/19	1,8	6	14
03089-41308	03089-42308	8	M16x1,5	33	13,5	11	11 -0,01/-0,03	68	26	10	23	4	8	19	-/24	2,3	15	35
03089-41410	03089-42410	10	M20x1,5	33	17	11	11 -0,01/-0,03	74	28	12	25	4	10	22	-/30	2,8	15	34

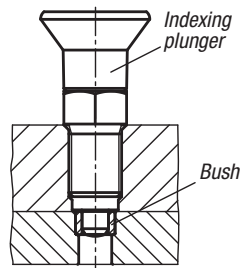
Order No. Form C	Order No. Form D	D	D1	D2	D3	D4	D5	L	L1	L2	L3	L4	Travel S	SW1	SW2	Fx30°	Spring force initial pressure F1 approx. N	Spring force final pressure F2 approx. N
03089-43105	03089-44105	5	M10x1	21	8	6	6 -0,01/-0,02	43,5	17	7	15	3	5	13	-/17	1,3	5	12
03089-43206	03089-44206	6	M12x1,5	25	10	8,5	8,5 -0,01/-0,03	51,7	20	8	17	3	6	14	-/19	1,8	6	14
03089-43308	03089-44308	8	M16x1,5	33	13,5	11	11 -0,01/-0,03	68	26	10	23	4	8	19	-/24	2,3	15	35
03089-43410	03089-44410	10	M20x1,5	33	17	11	11 -0,01/-0,03	74	28	12	25	4	10	22	-/30	2,8	15	34

Indexing plungers - Premium

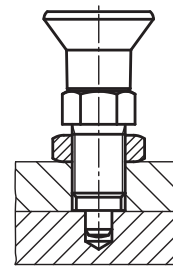
with cylindrical pin



Fixation with bush:



Fixation without bush:



Premium indexing plungers with cylindrical pin, stainless steel, indexing pin hardened

Order No. Form A	Order No. Form B	D	D1	D2	D3	D4	D5	L	L1	L2	L3	L4	Travel S	SW1	SW2	Fx30°	Spring force initial pressure F1 approx. N	Spring force final pressure F2 approx. N
03089-401105	03089-402105	5	M10x1	21	8	6	6 -0,01/-0,02	43,5	17	7	15	3	5	13	-/17	1,3	5	12
03089-401206	03089-402206	6	M12x1,5	25	10	8,5	8,5 -0,01/-0,03	51,7	20	8	17	3	6	14	-/19	1,8	6	14
03089-401308	03089-402308	8	M16x1,5	33	13,5	11	11 -0,01/-0,03	68	26	10	23	4	8	19	-/24	2,3	15	35
03089-401410	03089-402410	10	M20x1,5	33	17	11	11 -0,01/-0,03	74	28	12	25	4	10	22	-/30	2,8	15	34

Order No. Form C	Order No. Form D	D	D1	D2	D3	D4	D5	L	L1	L2	L3	L4	Travel S	SW1	SW2	Fx30°	Spring force initial pressure F1 approx. N	Spring force final pressure F2 approx. N
03089-403105	03089-404105	5	M10x1	21	8	6	6 -0,01/-0,02	43,5	17	7	15	3	5	13	-/17	1,3	5	12
03089-403206	03089-404206	6	M12x1,5	25	10	8,5	8,5 -0,01/-0,03	51,7	20	8	17	3	6	14	-/19	1,8	6	14
03089-403308	03089-404308	8	M16x1,5	33	13,5	11	11 -0,01/-0,03	68	26	10	23	4	8	19	-/24	2,3	15	35
03089-403410	03089-404410	10	M20x1,5	33	17	11	11 -0,01/-0,03	74	28	12	25	4	10	22	-/30	2,8	15	34

Bushes cylindrical



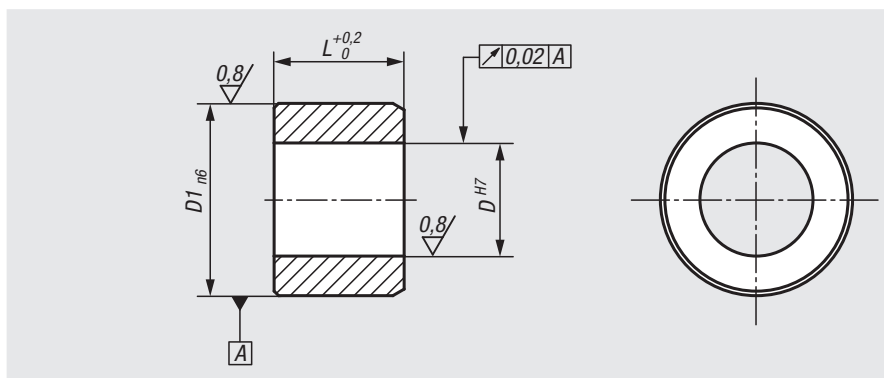
Material:
Steel or 1.4034 stainless steel.

Version:
Steel version:
black oxidised, hardened and ground.
Stainless steel version:
bright, hardened and ground.

Sample order:
nlm 03089-9005

Note:
Bush for premium indexing plungers with cylindrical indexing pin 03089.

Assembly:
To increase the coaxial alignment accuracy, the hole for the bush and the premium indexing plunger can be machined simultaneously.



Order No.	Main material	D	D1	L
03089-9005	steel	5	8	6
03089-9006	steel	6	10	7
03089-9008	steel	8	13,5	9,5
03089-9010	steel	10	17	11,5
03089-9005	stainless steel	5	8	6
03089-9006	stainless steel	6	10	7
03089-9008	stainless steel	8	13,5	9,5
03089-9010	stainless steel	10	17	11,5

01000
02000
03000
04000
05000
06000
07000
08000
09000
10000
12000

Indexing plungers - Premium

with tapered pin



Material:

Steel version:
indexing pin hardened: grade 5.8

Stainless steel version:
indexing pin hardened: threaded sleeve 1.4305, indexing pin 1.4305.

Mushroom knob black grey thermoplastic.

Version:

Steel version:
indexing pin hardened, ground and black oxidised.

Stainless steel version:
indexing pin hardened, ground and bright.

Sample order:

nIm 03089-52206

Note:

Premium indexing plungers are characterized by more stringent manufacturing requirements for the indexing plungers and the threaded sleeve. In addition, a centring locator that can be used to increase the positioning accuracy is provided on the threaded sleeve. These indexing plungers are used when it is necessary to prevent shifting of the locked position by transverse forces and greater positioning accuracy is required. A new locking position can only be set after the pin has been manually disengaged. When high lateral forces are to be expected, the centring locator should be used.

Assembly:

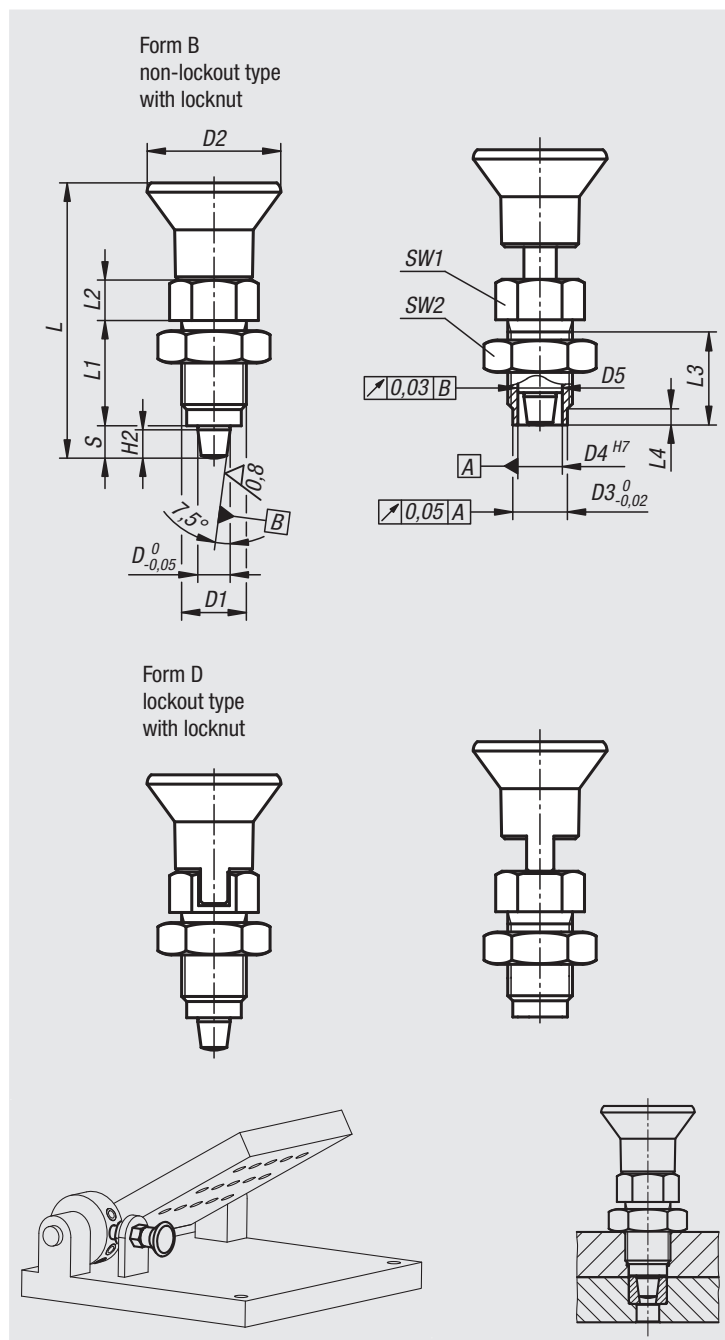
When using the threaded sleeve centring, it is recommended the receiving reamed hole be machined before tapping. The conical contact surface is aligned by the threaded sleeve and locking nut.

On request:

Special versions and spacer rings.

Accessories:

Matching tapered bush 03089.



Premium indexing plungers with tapered pin, steel, indexing pin hardened

Order No. Form B	Order No. Form D	D	D1	D2	D3	D4	D5	L	L1	L2	L3	L4	H2	Travel S	SW1	SW2	Spring force initial pressure F1 approx. N	Spring force final pressure F2 approx. N
03089-52105	03089-54105	5	M10x1	21	8	6	6 -0,01/-0,02	43,5	17	7	15	3	4	5	13	17	5	12
03089-52206	03089-54206	6	M12x1,5	25	10	8,5	8,5 -0,01/-0,03	51,7	20	8	17	3	5	6	14	19	6	14
03089-52308	03089-54308	8	M16x1,5	33	13,5	11	11 -0,01/-0,03	68	26	10	23	4	7	8	19	24	15	35
03089-52410	03089-54410	10	M20x1,5	33	17	11	11 -0,01/-0,03	74	28	12	25	4	9	10	22	30	15	34

Premium indexing plungers with tapered pin, stainless steel, indexing pin hardened

Order No. Form B	Order No. Form D	D	D1	D2	D3	D4	D5	L	L1	L2	L3	L4	H2	Travel S	SW1	SW2	Spring force initial pressure F1 approx. N	Spring force final pressure F2 approx. N
03089-502105	03089-504105	5	M10x1	21	8	6	6 -0,01/-0,02	43,5	17	7	15	3	4	5	13	17	5	12
03089-502206	03089-504206	6	M12x1,5	25	10	8,5	8,5 -0,01/-0,03	51,7	20	8	17	3	5	6	14	19	6	14
03089-502308	03089-504308	8	M16x1,5	33	13,5	11	11 -0,01/-0,03	68	26	10	23	4	7	8	19	24	15	35
03089-502410	03089-504410	10	M20x1,5	33	17	11	11 -0,01/-0,03	74	28	12	25	4	9	10	22	30	15	34

Bushes tapered



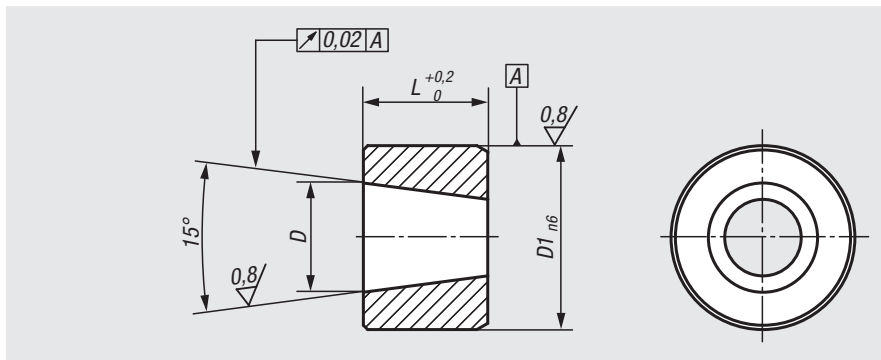
Material:
Steel or 1.4034 stainless steel.

Version:
Steel version:
black oxidised, hardened and ground.
Stainless steel version:
bright, hardened and ground.

Sample order:
nlm 03089-9106

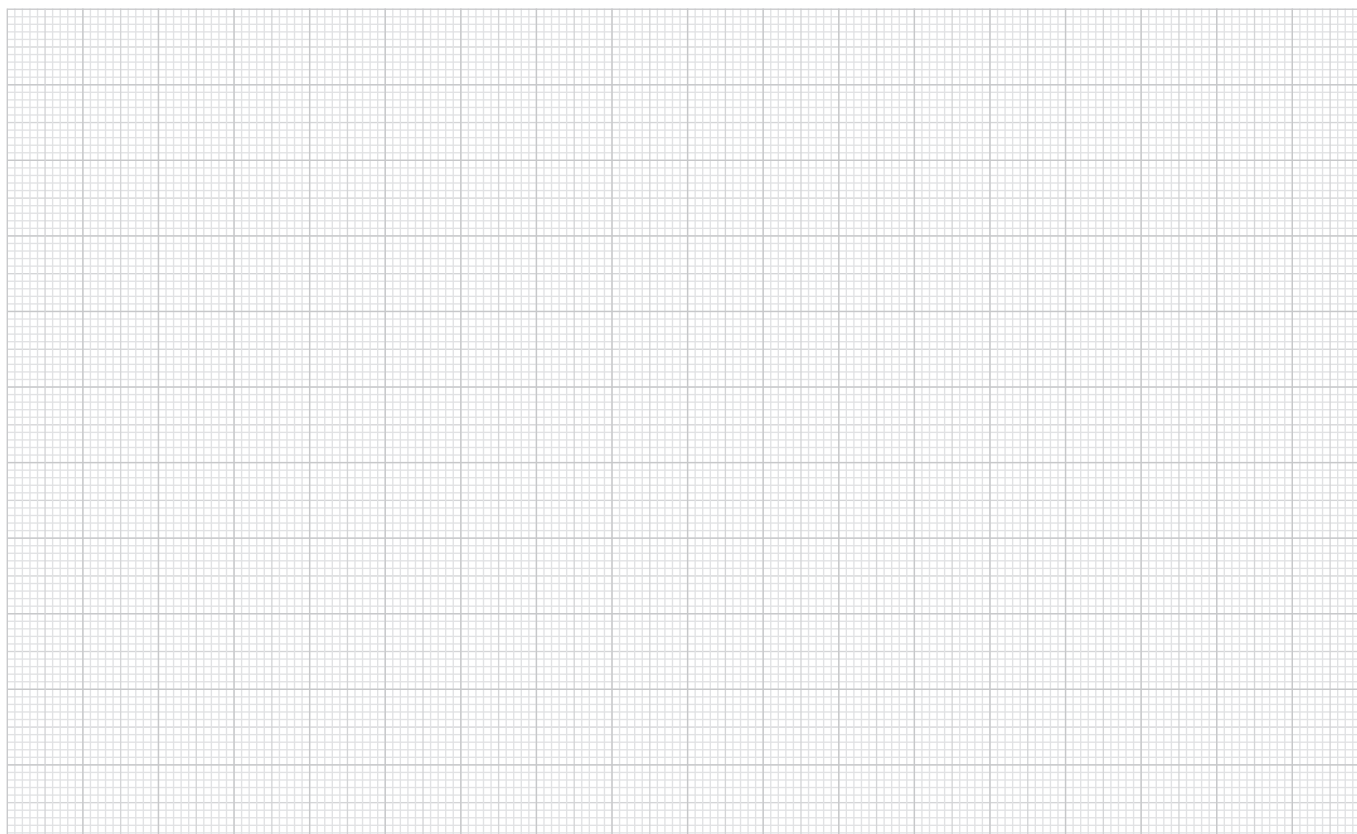
Note:
Matching bush for premium indexing plungers with tapered pin 03089.

Assembly:
To increase the coaxial alignment accuracy, the holes for the bush and the premium indexing plunger can be machined simultaneously.



Order No.	Main material	D	D1	L
03089-9105	steel	5	8	6
03089-9106	steel	6	10	7
03089-9108	steel	8	13,5	9,5
03089-9110	steel	10	17	11,5
03089-91005	stainless steel	5	8	6
03089-91006	stainless steel	6	10	7
03089-91008	stainless steel	8	13,5	9,5
03089-91010	stainless steel	10	17	11,5

Notes



Spacer rings



Material:
Stainless steel 1.4305.

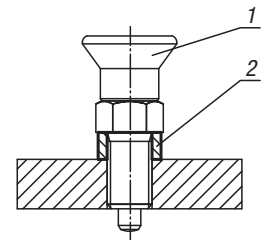
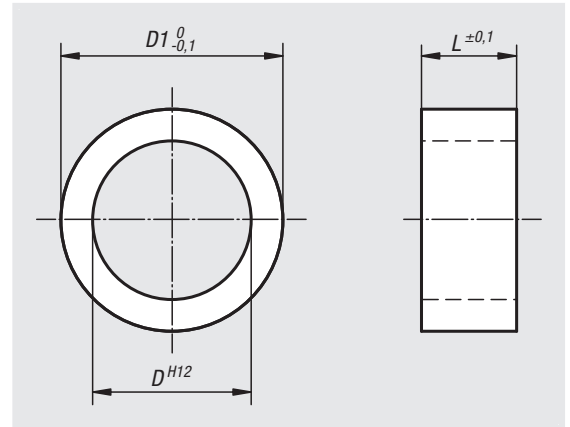
Version:
Bright.

Sample order:
nlm 03089-90811021

Note:
Spacer rings are used to adjust the indexing plunger thread length to suit the application wall thickness.

Drawing reference:

- 1) Indexing plunger
- 2) Spacer ring



Order No.	D	D1	L
03089-90811021	8	11	2
03089-90811031	8	11	3
03089-90811041	8	11	4
03089-90811061	8	11	6
03089-90811081	8	11	8
03089-91014021	10	14	2
03089-91014031	10	14	3
03089-91014041	10	14	4
03089-91014061	10	14	6
03089-91014081	10	14	8
03089-91215021	12	15	2
03089-91215041	12	15	4
03089-91215051	12	15	5
03089-91215061	12	15	6
03089-91215081	12	15	8
03089-91217021	12	17	2
03089-91217041	12	17	4
03089-91217051	12	17	5
03089-91217061	12	17	6
03089-91217081	12	17	8
03089-91621041	16	21	4
03089-91621051	16	21	5
03089-91621061	16	21	6
03089-91621081	16	21	8
03089-91621101	16	21	10

Indexing plungers ECO



Material:

Steel version:
Indexing pin not hardened.
Threaded sleeve 1.0718.
Indexing pin 1.4305.

Stainless steel version:
Indexing pin not hardened.
Threaded sleeve and indexing pin 1.4305.

Mushroom knob black grey thermoplastic.

Version:

Steel version:
Indexing pin hardened.
Threaded sleeve trivalent blue passivated.
Indexing pin bright.

Stainless steel version:
Indexing pin not hardened.
Steel parts bright.

Sample order:

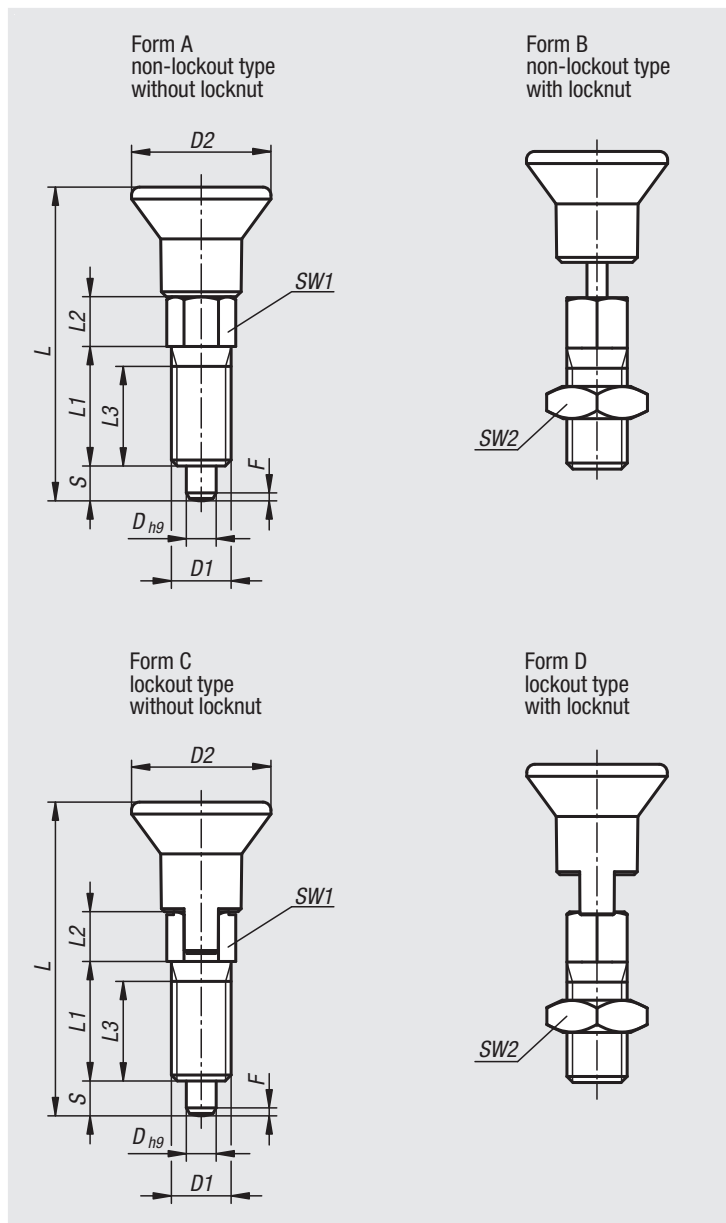
nIm 03089-01903060

Note:

This article is a cost-efficient alternative to the existing indexing plungers. It is suitable for applications which require less precision.
The max. tightening torque should be observed when assembling.

On request:

Special versions and fine thread.



Indexing plunger ECO, steel, indexing pin not hardened

Order No. Form A	Order No. Form B	Order No. Form C	Order No. Form D	D	D1	D2	L	L1	L2	L3	Travel S	SW1	SW2	Fx30°	Spring force initial pressure F1 approx. N	Spring force final pressure F2 approx. N	Tightening torque max. Nm
03089-01903060	03089-02903060	03089-03903060	03089-04903060	3	M6	14	31,5	12	5	10	3,5	6	-/10/-/10	0,8	4	10	2
03089-01004060	03089-02004060	03089-03004060	03089-04004060	4	M6	14	36	15	6	13	4	6	-/10/-/10	1	6	12	2
03089-01105080	03089-02105080	03089-03105080	03089-04105080	5	M8	14	40	17	7	15	5	8	-/13/-/13	1,3	6	12	7
03089-01206100	03089-02206100	03089-03206100	03089-04206100	6	M10	18	47,5	20	8	17	6	10	-/17/-/17	1,8	8	15	15
03089-01308120	03089-02308120	03089-03308120	03089-04308120	8	M12	25	61,7	26	10	23	8	12	-/19/-/19	2,3	8	19	20

Indexing plunger ECO, stainless steel, indexing pin not hardened

Order No. Form A	Order No. Form B	Order No. Form C	Order No. Form D	D	D1	D2	L	L1	L2	L3	Travel S	SW1	SW2	Fx30°	Spring force initial pressure F1 approx. N	Spring force final pressure F2 approx. N	Tightening torque max. Nm
03089-11903060	03089-12903060	03089-13903060	03089-14903060	3	M6	14	31,5	12	5	10	3,5	6	-/10/-/10	0,8	4	10	2
03089-11004060	03089-12004060	03089-13004060	03089-14004060	4	M6	14	36	15	6	13	4	6	-/10/-/10	1	6	12	2
03089-11105080	03089-12105080	03089-13105080	03089-14105080	5	M8	14	40	17	7	15	5	8	-/13/-/13	1,3	6	12	7
03089-11206100	03089-12206100	03089-13206100	03089-14206100	6	M10	18	47,5	20	8	17	6	10	-/17/-/17	1,8	8	15	15
03089-11308120	03089-12308120	03089-13308120	03089-14308120	8	M12	25	61,7	26	10	23	8	12	-/19/-/19	2,3	8	19	20

01000
02000
03000
04000
05000
06000
07000
08000
09000
10000
12000

Indexing plunger

with lock



Material:

Steel version:
threaded sleeve and indexing pin, steel.

Stainless steel version:
indexing pin not hardened.
Threaded sleeve and indexing pin 1.4305.

Mushroom grip, black grey thermoplastic.
Release button, red thermoplastic.

Version:

Steel version:
threaded sleeve, black oxidised.
Indexing pin hardened, ground and black oxidised.

Stainless steel version:
threaded sleeve, bright.
Indexing pin not hardened, ground and bright.

Sample order:

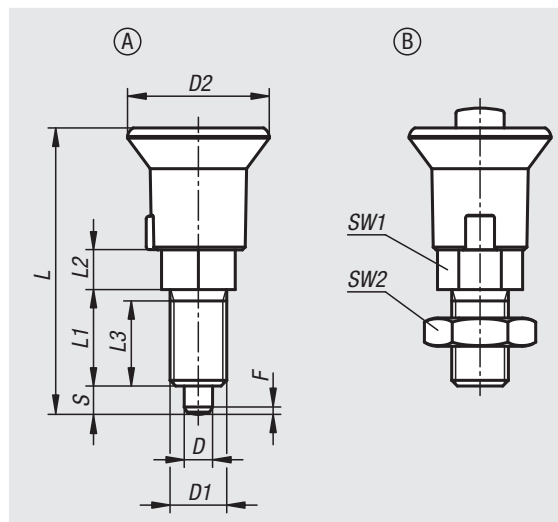
nIm 03089-11051

Note:

Indexing plungers are used where any change in locking position due to lateral forces should be prevented.
The locking mechanism is activated by pressing the push button.
The red release button enables the indexed position to be changed.

Drawing reference:

Form A: without locknut
Form B: with locknut



Order No. Form A	Order No. Form B	Main material	Surface finish body	D	D1	D2	L	L1	L2	L3	Travel S	SW1	SW2	Fx30°	return force N
03089-11051	03089-21051	steel	hardened	5	M10x1	25	50,5	17	7	15	5	13	-/17	1,3	8-12
03089-12061	03089-22061	steel	hardened	6	M12x1,5	25	55,5	20	8	17	6	14	-/19	1,8	4-12
03089-13081	03089-23081	steel	hardened	8	M16x1,5	33	76	26	10	23	8	19	-/24	2,3	10-20
03089-14101	03089-24101	steel	hardened	10	M20x1,5	33	82	28	12	25	10	22	-/30	2,8	3-23
03089-111051	03089-121051	stainless steel	not hardened	5	M10x1	25	50,5	17	7	15	5	13	-/17	1,3	8-12
03089-112061	03089-122061	stainless steel	not hardened	6	M12x1,5	25	55,5	20	8	17	6	14	-/19	1,8	4-12
03089-113081	03089-123081	stainless steel	not hardened	8	M16x1,5	33	76	26	10	23	8	19	-/24	2,3	10-20
03089-114101	03089-124101	stainless steel	not hardened	10	M20x1,5	33	82	28	12	25	10	22	-/30	2,8	3-23