

Indexing plungers

with rotation lock and lead-in chamfer



Material:

Steel version:
indexing pin hardened: grade 5.8

Stainless steel version:
indexing pin hardened: threaded sleeve 1.4305, indexing pin 1.4305.

Mushroom knob black grey thermoplastic.

Version:

Steel version:
indexing pin hardened, ground and black oxidised.

Stainless steel version:
indexing pin hardened, ground and bright.

Sample order:

nIm 03089-10-12060

Note:

Indexing plungers are used where any change in locking position due to lateral forces should be prevented. The rotation lock ensures that the position of the pin in relation to the sleeve cannot be changed. The point angle enables the pin to retract automatically through a lateral force from one side. Loosening the screw as far as the marking on the plunger enables the point angle to be rotated in 60° increments.

Assembly:

The screw can be loosened using a hex. key.

On request:

Special versions.

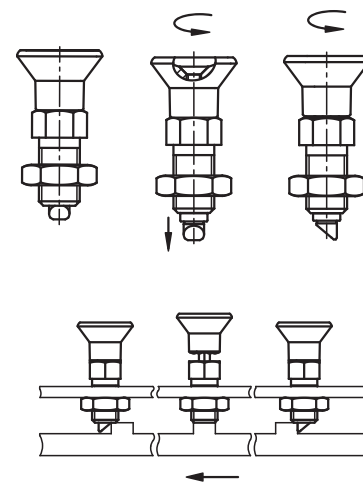
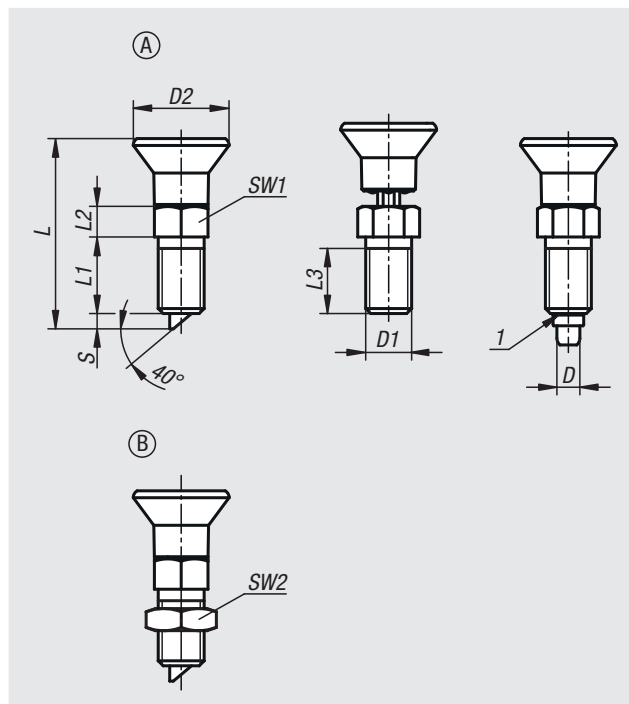
Accessories:

Spacer rings 03089

Drawing reference:

Form A: without locknut
Form B: with locknut

1) marking ring



Indexing plunger with rotation lock and lead-in chamfer, steel, indexing pin hardened

Order No. Form A	Order No. Form B	D	D1	D2	L	L1	L2	L3	Travel S	SW1	SW2	Spring force initial pressure F1 approx. N	Spring force final pressure F2 approx. N
03089-10-12061	03089-10-22061	6	M12x1,5	25	49,7	20	8	17	4	14	-/19	8	14
03089-10-12060	03089-10-22060	6	M12	25	49,7	20	8	17	4	14	-/19	8	14
03089-10-13081	03089-10-23081	8	M16x1,5	33	66	26	10	23	6	19	-/24	20	35
03089-10-13080	03089-10-23080	8	M16	33	66	26	10	23	6	19	-/24	20	35

Indexing plunger with rotation lock and lead-in chamfer, stainless steel, indexing pin hardened

Order No. Form A	Order No. Form B	D	D1	D2	L	L1	L2	L3	Travel S	SW1	SW2	Spring force initial pressure F1 approx. N	Spring force final pressure F2 approx. N
03089-10-012061	03089-10-022061	6	M12x1,5	25	49,7	20	8	17	4	14	-/19	8	14
03089-10-012060	03089-10-022060	6	M12	25	49,7	20	8	17	4	14	-/19	8	14
03089-10-013081	03089-10-023081	8	M16x1,5	33	66	26	10	23	6	19	-/24	20	35
03089-10-013080	03089-10-023080	8	M16	33	66	26	10	23	6	19	-/24	20	35

01000 02000 03000 04000 05000 06000 07000 08000 09000 10000 12000