

5D workpiece stops



Material:

Clamping joint high-tensile aluminium.
Hinge pin, support plate and stop bar, steel.

Version:

Clamping joint anodised blue and black.
Hinge pins, support plate and stop bar black oxidised.

Sample order:

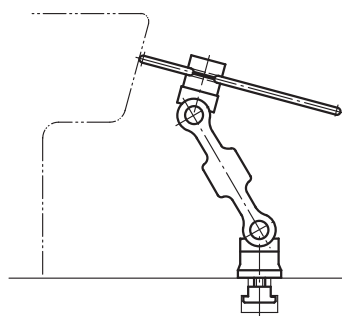
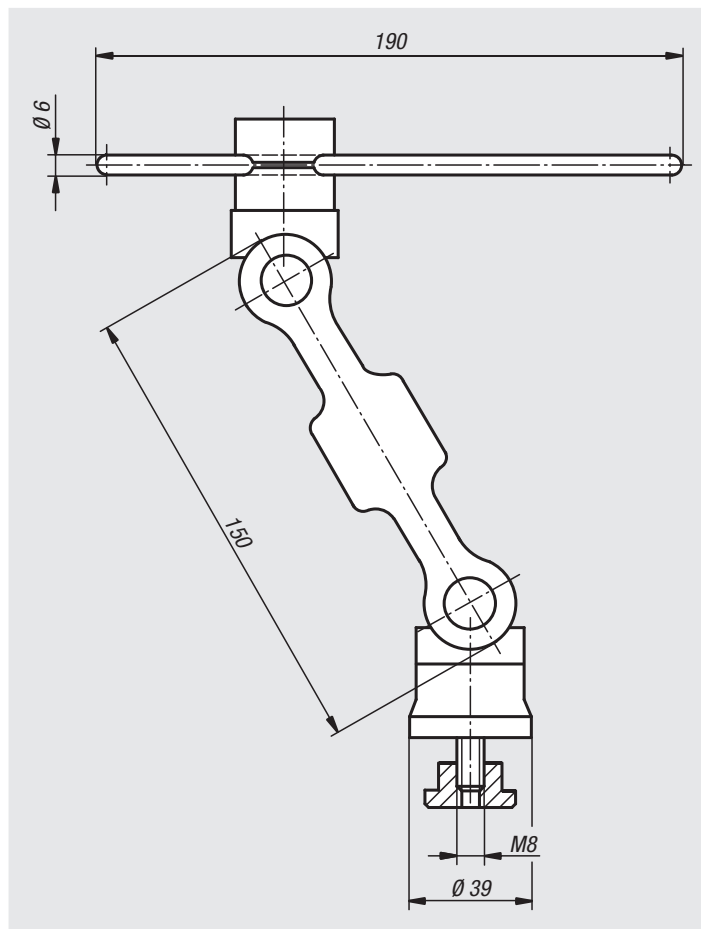
nIm 03088-15012

Note:

The 5D-swivelling stop serves, among other things, as a versatile instrument for positioning on machining tools or for assembly work. It is infinitely adjustable, quickly and flexibly in 5 axes. Supplied complete with M8x12 T-slot nut and hex key.

On request:

Connecting element for combining several 5D-swivelling stops.



Order No.

Size

03088-15012

150