

Stop screws


Material:

Steel grade 10.9
(M3 8.8)

Version:

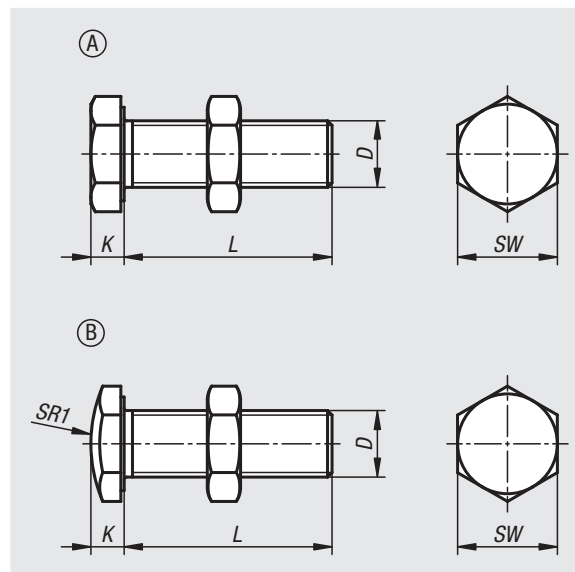
Stop screw black oxidised.
Nut electro zinc-plated.

Sample order:

nIm 03087-10820 (include length L)

Note:

Size M3 stop screw only available in grade 8.8.



Order No.	Form	D	L	K	SW	SR1
03087-103**	A	M3	16/25	2	5,5	-
03087-104**	A	M4	16/25/35	2,5	7	-
03087-105**	A	M5	16/25/35	3,5	8	-
03087-106**	A	M6	25/35/40	3,8	10	-
03087-108**	A	M8	12/16/20/25/30/35/40/45/50/55/65/70/85	5	13	-
03087-110**	A	M10	35/40/50/60	6	17	-
03087-112**	A	M12	40/60/70	7	19	-
03087-116**	A	M16	50/60/70	9,5	24	-
03087-203**	B	M3	16/25	2	5,5	10
03087-204**	B	M4	16/25/35	2,5	7	10
03087-205**	B	M5	16/25/35	3,5	8	12
03087-206**	B	M6	25/35/40	3,8	10	15
03087-208**	B	M8	12/16/20/25/30/35/40/45/50/55/65/70/85	5	13	20
03087-210**	B	M10	35/40/50/60	6	17	30
03087-212**	B	M12	40/60/70	7	19	30
03087-216**	B	M16	50/60/70	9,5	24	35