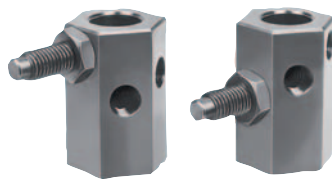


## Stops

adjustable



**Material:**

Body and set screw carbon steel.

**Version:**

Body black oxidised.

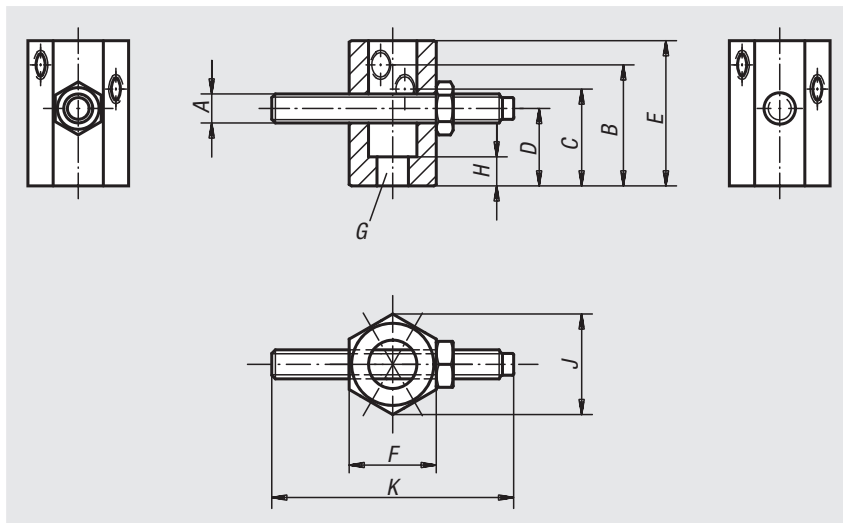
Set screw tempered and black oxidised.

**Sample order:**

nIm 03083-16063

**Note:**

The adjustable stops have three tapped holes to accept the set screws.



| Order No.   | A   | B  | C  | D  | E  | F  | G<br>hole for<br>DIN 912 cap screw | H  | J    | K   |
|-------------|-----|----|----|----|----|----|------------------------------------|----|------|-----|
| 03083-08032 | M8  | 32 | 25 | 20 | 40 | 21 | M8                                 | 7  | 24,3 | 50  |
| 03083-12050 | M12 | 50 | 40 | 32 | 60 | 36 | M12                                | 12 | 41,6 | 100 |
| 03083-16063 | M16 | 63 | 50 | 40 | 80 | 46 | M16                                | 16 | 53,1 | 100 |

## Screw stops

adjustable



**Material:**

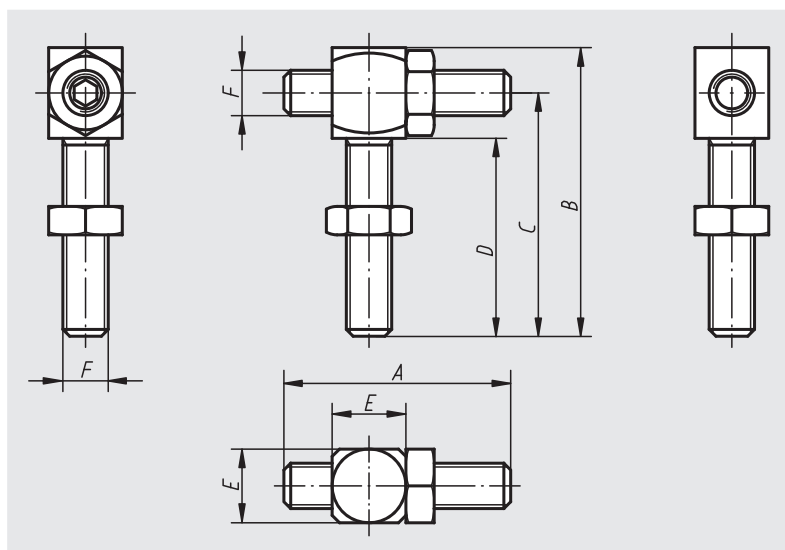
Carbon steel, tempered.

**Version:**

Black oxidised.

**Sample order:**

nIm 03085-10



| Order No. | A  | B   | C  | D  | E  | F   |
|-----------|----|-----|----|----|----|-----|
| 03085-06  | 30 | 44  | 37 | 30 | 10 | M6  |
| 03085-08  | 40 | 56  | 48 | 40 | 13 | M8  |
| 03085-10  | 50 | 70  | 60 | 50 | 17 | M10 |
| 03085-12  | 60 | 84  | 72 | 60 | 19 | M12 |
| 03085-16  | 80 | 112 | 96 | 80 | 24 | M16 |