

Clamp stops adjustable

for slot profiles



Material:

Body aluminium.
Other metal components steel.
Plastic components PA6.

Version:

Body natural tone anodised.
Other metal components trivalent blue passivated.

Sample order:

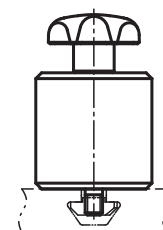
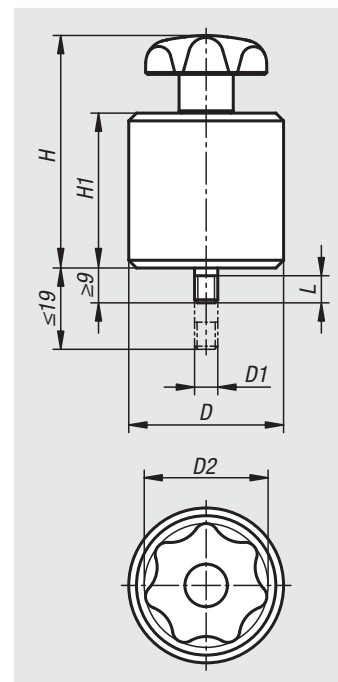
nIm 03081-064040

Note:

Sliding stop for profile systems type B, type I, and DIN 650 T-slots.
Locked by turning the star grip. Sprung threaded pin ensures smooth sliding without tilting the slot key when loosened.

Accessories:

07071-0806
07073-0606
07073-0806
07075-0806
07077-1006
07078-1006
07060-06
07060-061
07060-806
07060-2061
07060-206



Order No.	D	D1	D2	H	H1	L
03081-064040	40	M6	32	60	40	7