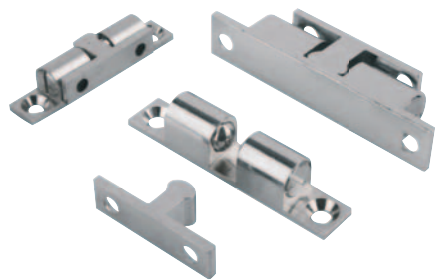


# Double ball catches

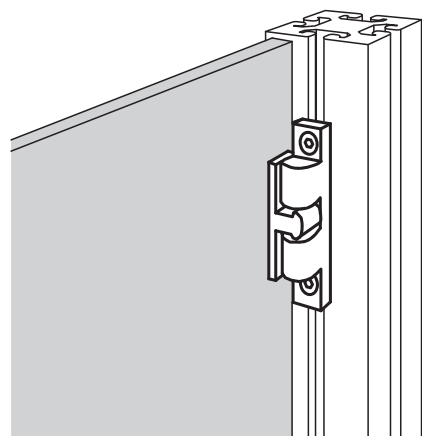
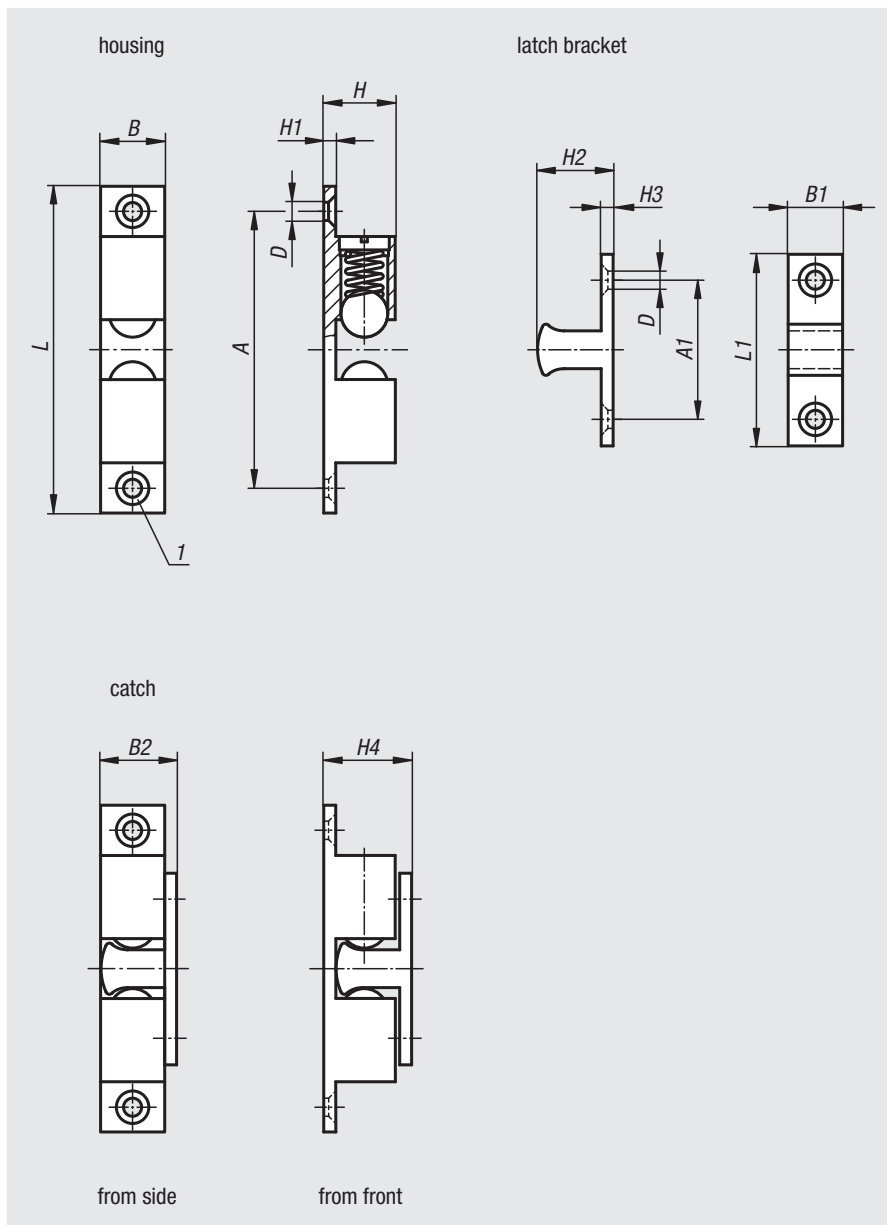


**Material:**  
Housing and latch chrome plated brass.  
Balls and springs stainless steel.

**Sample order:**  
nlm 03075-50

**Note:**  
Quick catch for various applications such as holding doors, hatches, screens etc. closed. The double ball catch consists of a housing and a latch bracket that engages between the two balls. The latch bracket can engage from the front or the side. The engagement pressure is adjustable.

**Drawing reference:**  
1) counterbore DIN 74-A



Order No.	A	A1	B	B1	B2	D	H	H1	H2	H3	H4	L	L1	Clamping force ca. N
03075-50	39,8	19,8	8,8	7,6	10,8	3,8	10,6	2	11,2	2	13,2	49	28,8	35±5
03075-60	50	23,5	11	9	13,5	4,8	13,2	2,4	13,5	2,2	15,5	60	35	30±7
03075-70	58	30	13	12	15,2	4,8	15	2,4	15,7	2,2	18,1	68,4	40,2	25±5

01000  
02000  
03000  
04000  
05000  
06000  
07000  
08000  
09000  
10000  
12000