

## Door stops plastic

for aluminium profile with buffer or with magnetic catch



### Material:

Door stop fibreglass reinforced PA.  
 Buffer EPDM.  
 Retaining plate steel.  
 Slot key die-cast zinc.  
 Screw steel.  
 Locking piece fibreglass reinforced PA.

### Version:

Steel electro zinc-plated.

### Sample order:

nIm 03075-12-0

### Note:

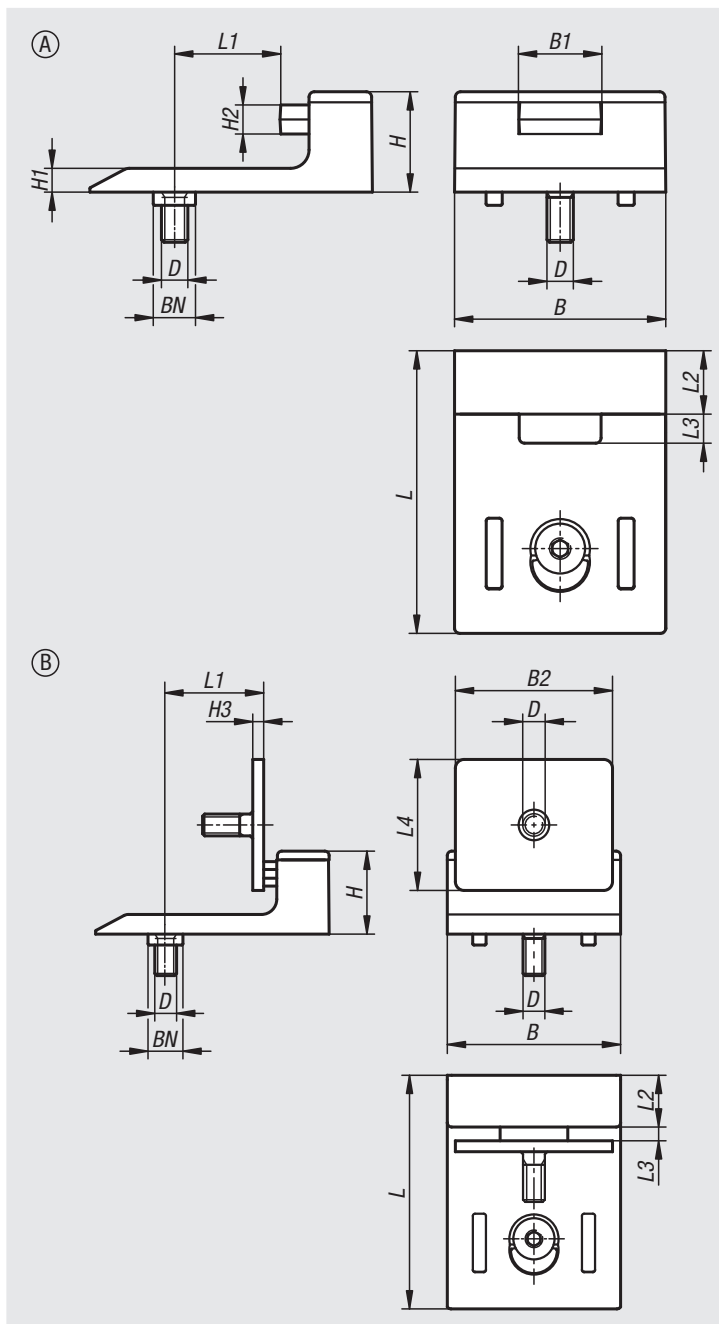
These door stops can be used to close doors or hatches mounted on aluminium profiles softly or magnetically.

### Supplied with:

Door stop with buffer:  
 1x door stop,  
 1x slot key,  
 1x M5x14 ISO 7991 screw,  
 1x locking piece.

Door stop with magnetic catch:

1x door stop,  
 1x retaining plate,  
 1x slot key,  
 2x M5x14 ISO 7991 screws,  
 1x locking piece.



Order No.	Version 1	Form	Component material	Surface finish component	B	B1	B2	D	H
03075-12-0	with buffer	A	EPDM	-	40	15	-	M5	19
03075-12-1	with magnetic catch	B	steel	galvanised	40	-	36	M5	19

Order No.	H1	H2	H3	L	L1	L2	L3	L4	BN=Slot width	Shore grade
03075-12-0	4,5	5	-	53,5	20/22,5	12	5	-	8/10	-
03075-12-1	4,5	-	2,5	53,5	20/22,5	12	3	30	8/10	70