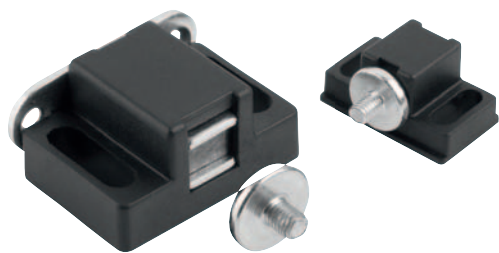


## Magnetic lock



**Material:**

Polyamide fibreglass reinforced  
DIN 921 pan head screw, steel.  
Retaining plate, steel.

**Version:**

Black.  
Pan head screw and retaining plate electro zinc-plated.

**Sample order:**

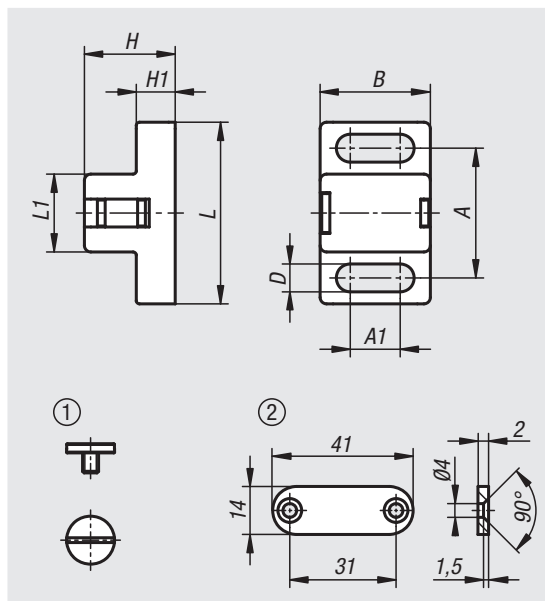
nIm 03075-11-17281

**Note:**

Magnetic catch for swing and sliding doors. The elongated holes enable flexible positioning on aluminium profiles and panel elements.

**Drawing reference:**

- 1) Pan head screw
- 2) Retaining plate



Order No.	A	A1	B	D	H	H1	L	L1	Retaining force F1 N	Retaining force F2 N	Counterpart
03075-11-17281	20	7,7	17	4,3	14	6	28	12	5	3	M4x5 pan head screw
03075-11-28401	30	13,5	28	6,3	20	10	40	19	20	10	M5x6 pan head screw
03075-11-28402	30	13,5	28	6,3	20	10	40	19	20	10	M5x6 pan head screw and 14x41x2 retaining plate

# Angle bracket for magnetic lock

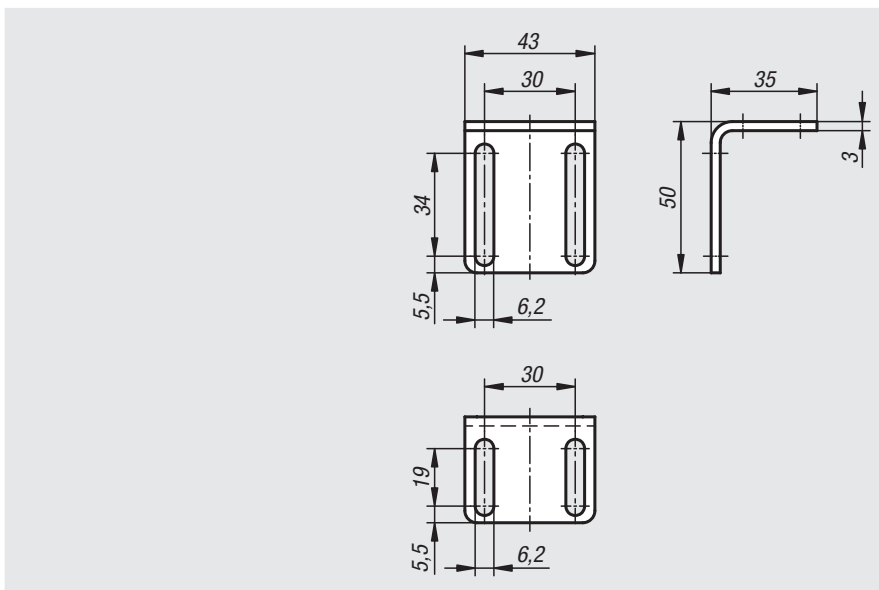


**Material:**  
Steel.

**Version:**  
Electro zinc-plated.

**Sample order:**  
nlm 03075-11-9503543

**Note:**  
These angle brackets enable the magnetic catch to be flexibly positioned.



Order No.	Dimensions
03075-11-9503543	see drawing

## Notes

