

Ball catch

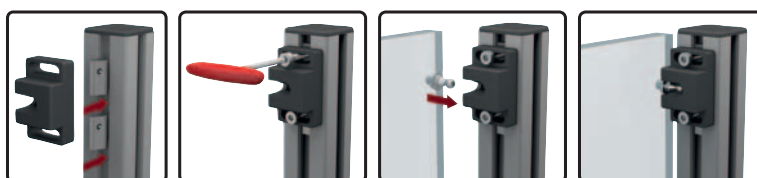
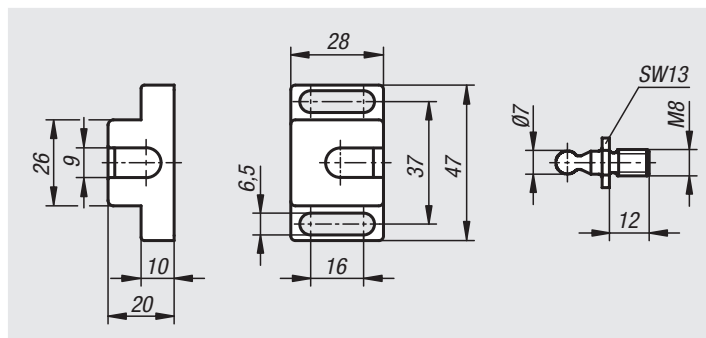


Material:
Fibreglass reinforced polyamide.
Ball pins, steel or stainless steel 1.4301.

Version:
black.

Sample order:
nlm 03075-10-400

Note:
Quick lock for swing and sliding doors. The elongated holes enable flexible positioning on aluminium profiles and panel elements.



Order No.	Component material	Retaining force F1 N
03075-10-400	steel	40
03075-10-401	stainless steel	40
03075-10-500	steel	50
03075-10-501	stainless steel	50

Spacer for ball catch

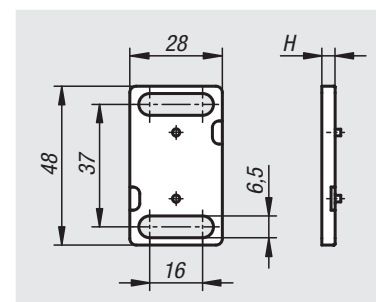


Material:
Polyamide fibreglass reinforced.

Version:
black.

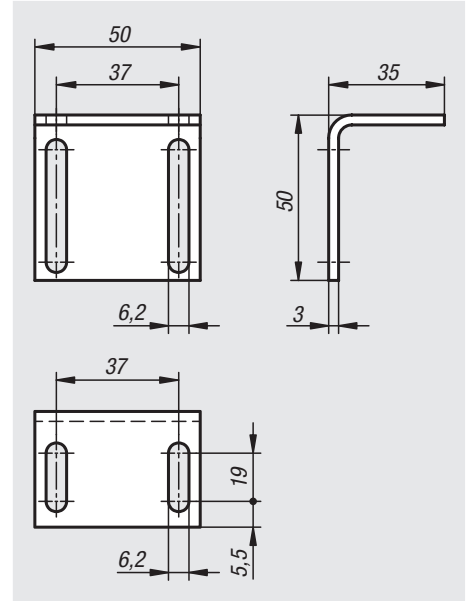
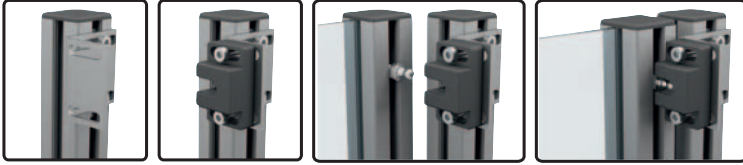
Sample order:
nlm 03075-10-94

Note:
These riser plates enable the height of the ball catch to be increased.



Order No.	H
03075-10-94	4

Angle bracket for ball catch



Material:
Steel.

Version:
Electro zinc-plated.

Sample order:
nlm 03075-10-9503550

Note:
These angle brackets enable the ball catch to be flexibly positioned.

Order No.	Dimensions
03075-10-9503550	see drawing

Notes

