

Spring plungers

smooth version, double-sided


Material:

Sleeve brass.

Ball and spring stainless steel.

Version:

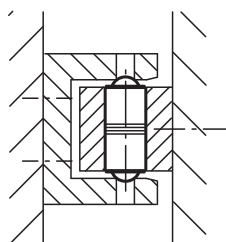
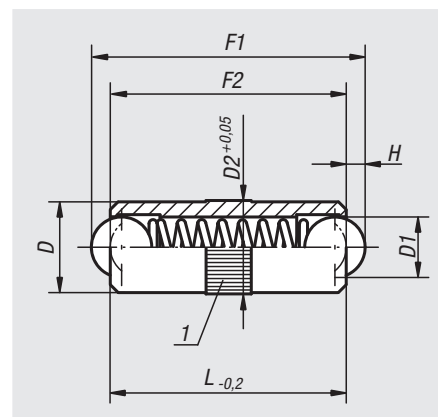
Balls hardened, bright.

Sample order:

nIm 03074-05

Drawing reference:

1) knurl



Order No.	D	D1	D2	L	H	Spring force initial pressure F1 approx. N	Spring force final pressure F2 approx. N
03074-025	2,5	2	2,55	6	0,65	1,5	2,8
03074-03	3	2,5	3,05	8	0,8	2,5	6
03074-04	4	3	4,05	10	0,9	3	7
03074-05	5	4	5,05	12	1,2	4	8
03074-06	6	5	6,05	16	1,6	6	10
03074-08	8	6	8,05	20	2	8	12
03074-10	10	8	10,05	24	2,9	10	16