

# Spring plungers

smooth version without collar, stainless steel



**Material:**

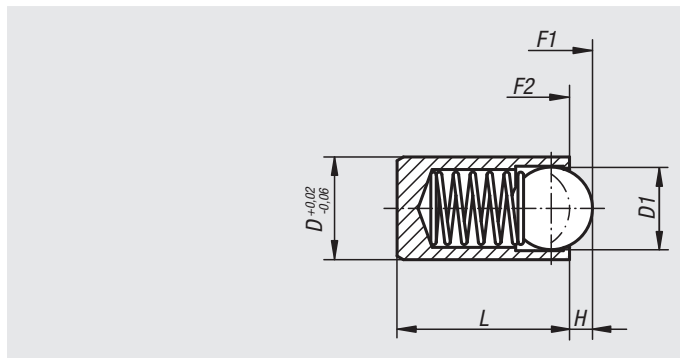
Sleeve and spring stainless steel.  
Ball stainless steel or POM.

**Version:**

Ball hardened, bright.

**Sample order:**

nlm 03072-208



Order No.	Component material	D	D1	H	L	Spring force initial pressure F1 approx. N	Spring force final pressure F2 approx. N
03072-203	stainless steel	3	2	0,65	7	5	7
03072-204	stainless steel	4	3	0,8	9	12	22
03072-205	stainless steel	5	4	1	12	19	30
03072-206	stainless steel	6	5	1,5	14	22	40
03072-208	stainless steel	8	6	1,8	16	42	73
03072-210	stainless steel	10	8	2,7	22	54	100
03072-212	stainless steel	12	10	3,2	24	54	122

Order No.	Component material	D	D1	H	L	Spring force initial pressure F1 approx. N	Spring force final pressure F2 approx. N
03072-304	POM	4	3	0,6	9	12	22
03072-305	POM	5	4	0,9	12	19	30
03072-306	POM	6	5	1,3	14	22	40
03072-308	POM	8	6	1,7	16	42	73
03072-310	POM	10	8	2,6	22	54	100
03072-312	POM	12	10	3,1	24	54	122

# Spring plungers

with head



**Material:**

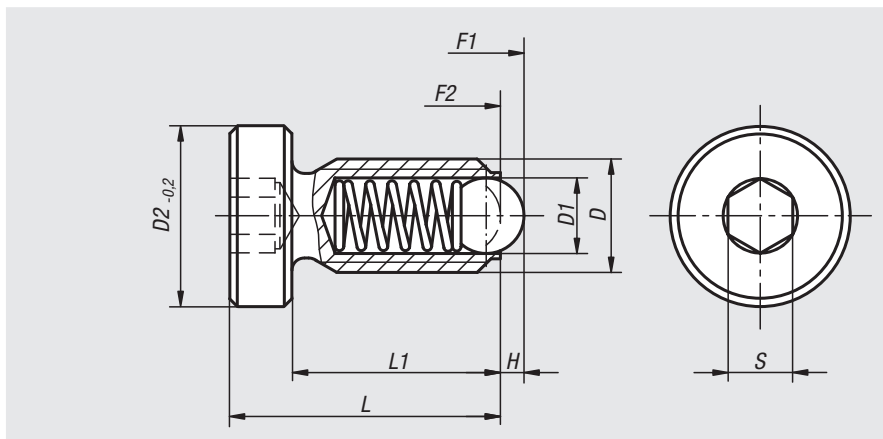
Steel or stainless steel.

**Version:**

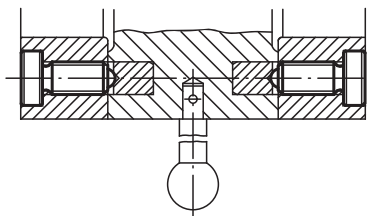
Steel black oxidised.  
Stainless steel bright.  
Ball steel or stainless steel, hardened, bright.

**Sample order:**

nlm 03073-10



Order No. steel	Order No. stainless steel	D	D1	D2	H	L	L1	S	Spring force initial pressure F1 approx. N	Spring force final pressure F2 approx. N
03073-04	03073-041	M4	2,5	7	0,8	13	10	2	4	10
03073-05	03073-051	M5	3	8,5	0,9	17	13	2,5	6	11
03073-06	03073-061	M6	3,5	10	1	16	12	3	9	13
03073-08	03073-081	M8	5	13	1,5	21	16	4	15	30
-	03073-101	M10	6	16	2	26	20	5	20	35
03073-10	-	M10	6	16	2	26	20	5	20	40
03073-12	03073-121	M12	8	18	2,5	32	25	6	30	55



01000  
02000  
03000  
04000  
05000  
06000  
07000  
08000  
09000  
10000  
12000