

# Spring plungers

with hexagon socket and POM thrust pin, LONG-LOK secured, stainless steel



## Material:

Sleeve 1.4305.

Thrust pin POM.

Spring 1.4310 wire

LONG-LOK thread lock Nylon.

## Version:

Bright.

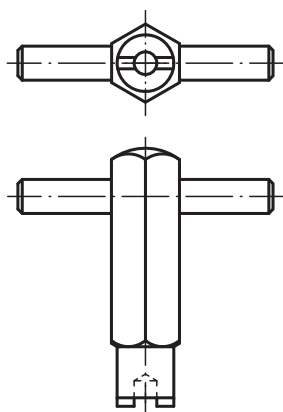
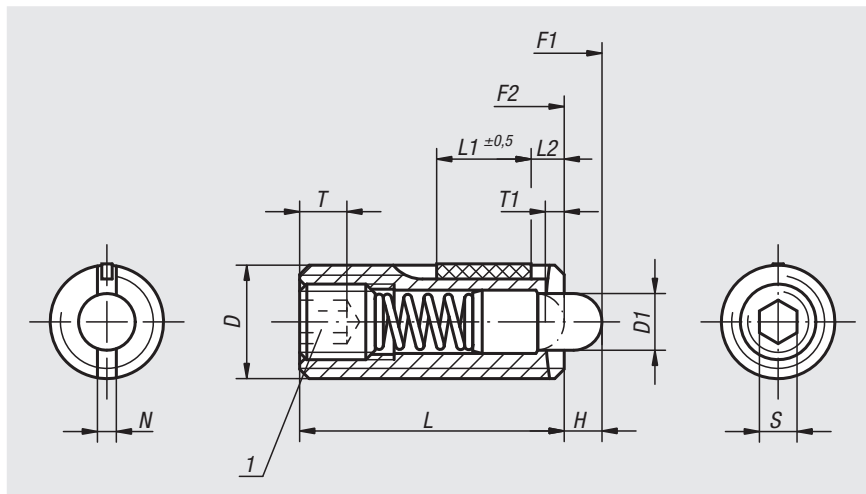
## Sample order:

nlm 03059-12

## Drawing reference:

L2 = ca. two full threads

1) grub screw glued-in



Order No.	D	D1	H	L	L1	T	T1	N	S	Spring force initial pressure F1 approx. N	Spring force final pressure F2 approx. N	Tightening torque approx. Nm	Loosening torque approx. Nm	Order No. Assembly key
03059-05	M5	2,4	2,3	18	7	2	0,8	0,8	1,5	5	17	0,12	0,08	03040-905
03059-06	M6	2,7	2,5	20	7	2,5	1	1	2	6	17	0,45	0,22	03040-906
03059-08	M8	3,5	3	22	8	3	1,4	1,2	2,5	7	29	1,05	0,37	03040-908
03059-10	M10	4	3	22	9	3,5	1,4	1,6	3	8	31	1,3	0,6	03040-910
03059-12	M12	6	4	28	10	5	2	2	4	10	47	2	1,3	03040-912
03059-16	M16	7,5	5	32	14	6	2,5	2,5	5	38	85	3,9	3	03040-916