

Spring plungers

with hexagon socket and flattened POM thrust pin, stainless steel



Material:

Sleeve 1.4305.
Thrust pin POM.
Spring 1.4310.

Version:

Bright.

Sample order:

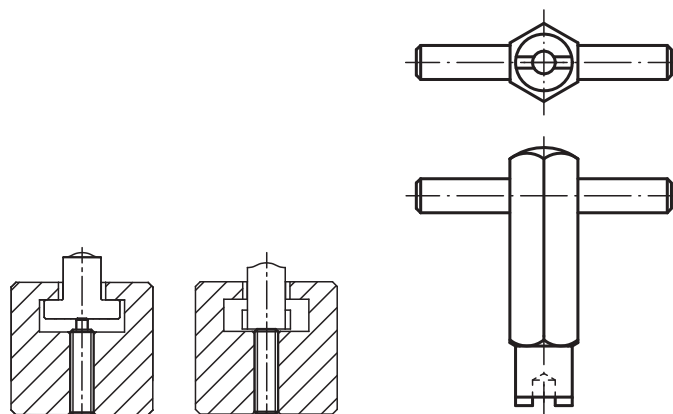
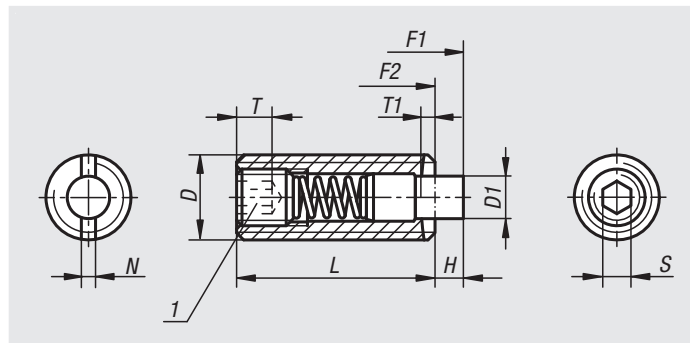
nIm 03058-01-16

Note:

These spring plungers are chiefly used as ejectors and spring stops in machine construction.
The thrust pin is actuated in the axial direction.

Drawing reference:

1) grub screw glued in



Order No.	D	D1	H	L	T	T1	N	S	Spring force initial pressure F1 approx. N	Spring force final pressure F2 approx. N	Order No. Assembly key
03058-01-05	M5	2,4	2,3	18	2	0,8	0,8	1,5	5	17	03040-905
03058-01-06	M6	2,7	2,5	20	2,5	1	1	2	6	17	03040-906
03058-01-08	M8	3,5	3	22	3	1,4	1,2	2,5	7	29	03040-908
03058-01-10	M10	4	3	22	3,5	1,4	1,6	3	8	31	03040-910
03058-01-12	M12	6	4	28	5	2	2	4	10	47	03040-912
03058-01-16	M16	7,5	5	32	6	2,5	2,5	5	38	85	03040-916

01000
02000
03000
04000
05000
06000
07000
08000
09000
10000
12000