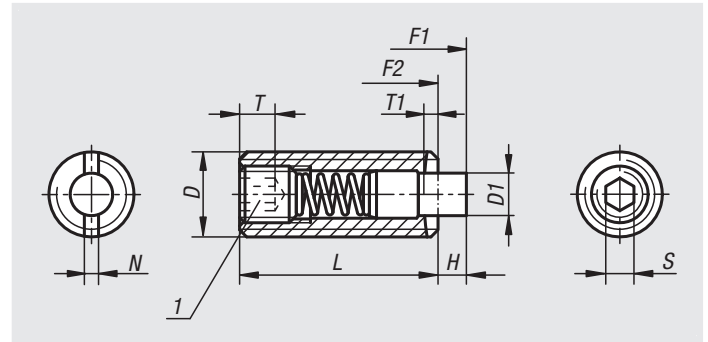


# Spring plungers

with hexagon socket and flattened POM thrust pin, steel



**Material:**

Sleeve steel grade 5.8.  
Thrust pin POM.  
Spring grade D steel wire.

**Version:**

Black oxidised.

**Sample order:**

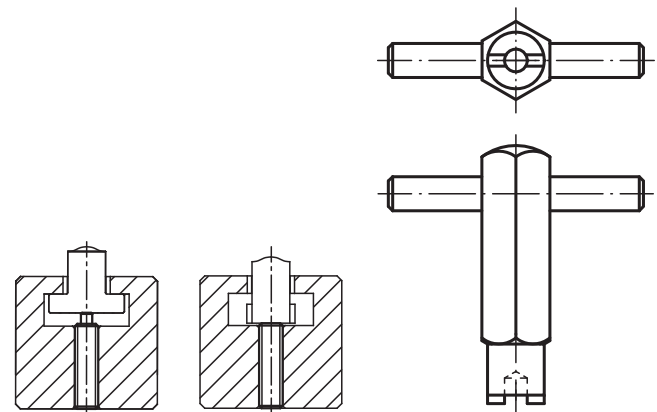
nIm 03050-01-16

**Note:**

These spring plungers are chiefly used as ejectors and spring stops in machine construction.  
The thrust pin is actuated in the axial direction.

**Drawing reference:**

1) grub screw glued in



Order No.	D	D1	H	L	T	T1	N	S	Spring force initial pressure F1 approx. N	Spring force final pressure F2 approx. N	Order No. Assembly key
03050-01-05	M5	2,4	2,3	18	2	0,8	0,8	1,5	6	20	03040-905
03050-01-06	M6	2,7	2,5	20	2,5	1	1	2	7	20	03040-906
03050-01-08	M8	3,5	3	22	3	1,4	1,2	2,5	9	35	03040-908
03050-01-10	M10	4	3	22	3,5	1,4	1,6	3	9	35	03040-910
03050-01-12	M12	6	4	28	5	2	2	4	12	55	03040-912
03050-01-16	M16	7,5	5	32	6	2,5	2,5	5	45	100	03040-916

01000  
02000  
03000  
04000  
05000  
06000  
07000  
08000  
09000  
10000  
12000