

# Spring plungers

with hexagon socket and flattened thrust pin, steel



### Material:

Sleeve steel grade 5.8.

Thrust pin steel.

Spring steel wire grade D.

### Version:

Black oxidised.

Thrust pin hardened.

### Sample order:

nIm 03040-02-16

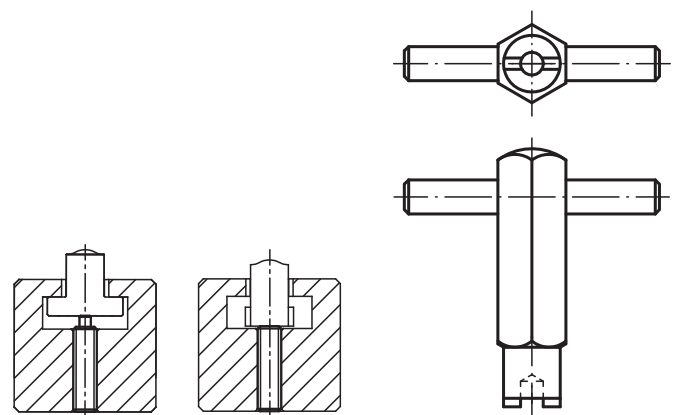
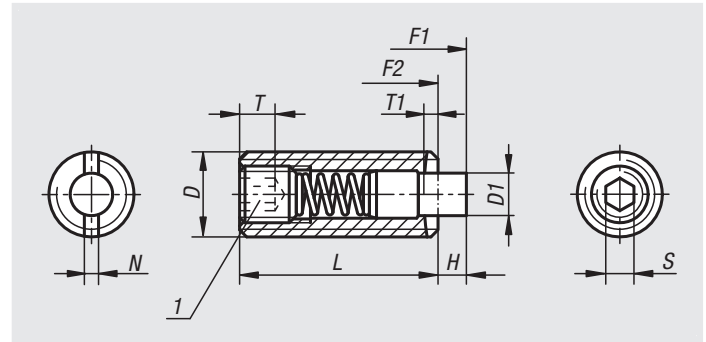
### Note:

These spring plungers are chiefly used as ejectors and spring stops in machine construction.

The thrust pin is actuated in the axial direction.

### Drawing reference:

1) grub screw glued in



Order No.	D	D1	H	L	T	T1	N	S	Spring force initial pressure F1 approx. N	Spring force final pressure F2 approx. N	Order No. Assembly key
03040-02-05	M5	2,4	2,3	18	2	0,8	0,8	1,5	6	20	03040-905
03040-02-06	M6	2,7	2,5	20	2,5	1	1	2	7	20	03040-906
03040-02-08	M8	3,5	3	22	3	1,4	1,2	2,5	9	35	03040-908
03040-02-10	M10	4	3	22	3,5	1,4	1,6	3	9	35	03040-910
03040-02-12	M12	6	4	28	5	2	2	4	12	55	03040-912
03040-02-16	M16	7,5	5	32	6	2,5	2,5	5	45	100	03040-916
03040-02-20	M20	10	7	40	8	3	2,5	6	60	120	-