

Spring plungers

with hexagon socket and ball, LONG-LOK secured stainless steel



Material:

Sleeve 1.4305.

Ball 1.4034.

Spring 1.4310.

LONG-LOK thread lock, Nylon.

Version:

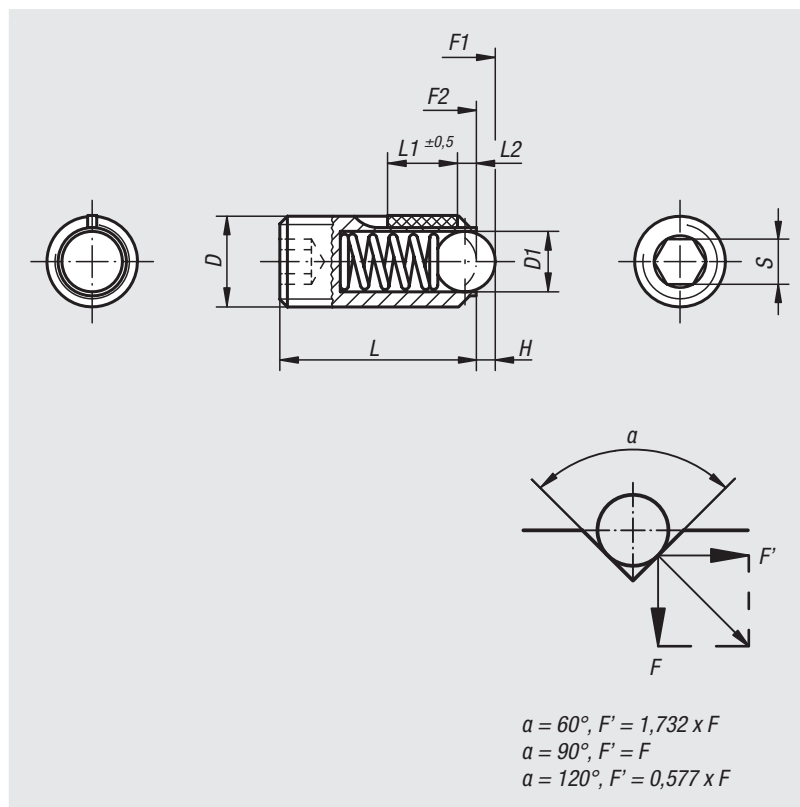
Bright. Ball hardened.

Sample order:

nIm 03036-08

Drawing reference:

L2 = approx. 2x thread pitch



Spring plungers with hexagon socket and ball, standard spring, LONG-LOK secured

| Order No. | D | D1 | H | L | L1 | S | Spring force initial pressure F1 approx. N | Spring force final pressure F2 approx. N | Tightening torque approx. Nm | Loosening torque approx. Nm |
|-----------|-----|-----|-----|----|----|-----|--|--|------------------------------------|--------------------------------|
| 03036-03 | M3 | 1,5 | 0,4 | 9 | 4 | 1,5 | 1,5 | 3 | 0,1 | 0,07 |
| 03036-04 | M4 | 2,5 | 0,8 | 10 | 5 | 2 | 4 | 10 | 0,18 | 0,12 |
| 03036-05 | M5 | 3 | 0,9 | 14 | 6 | 2,5 | 6 | 11 | 0,12 | 0,08 |
| 03036-06 | M6 | 3,5 | 1 | 15 | 7 | 3 | 9 | 13 | 0,44 | 0,21 |
| 03036-08 | M8 | 5 | 1,5 | 18 | 8 | 4 | 15 | 30 | 1,1 | 0,38 |
| 03036-10 | M10 | 6 | 2 | 23 | 9 | 5 | 20 | 35 | 1,3 | 0,6 |
| 03036-12 | M12 | 8 | 2,5 | 26 | 10 | 6 | 30 | 55 | 2 | 1,3 |
| 03036-16 | M16 | 10 | 3,5 | 33 | 14 | 8 | 65 | 125 | 3,9 | 3 |

Spring plungers with hexagon socket and ball, reinforced spring, LONG-LOK secured

| Order No. | D | D1 | H | L | L1 | S | Spring force initial pressure F1 approx. N | Spring force final pressure F2 approx. N | Tightening torque approx. Nm | Loosening torque approx. Nm |
|-----------|-----|-----|-----|----|----|-----|--|--|------------------------------------|--------------------------------|
| 03036-203 | M3 | 1,5 | 0,4 | 9 | 4 | 1,5 | 5 | 7 | 0,1 | 0,07 |
| 03036-204 | M4 | 2,5 | 0,8 | 10 | 5 | 2 | 12 | 22 | 0,18 | 0,12 |
| 03036-205 | M5 | 3 | 0,9 | 14 | 6 | 2,5 | 19 | 30 | 0,12 | 0,08 |
| 03036-206 | M6 | 3,5 | 1 | 15 | 7 | 3 | 28 | 40 | 0,44 | 0,21 |
| 03036-208 | M8 | 5 | 1,5 | 18 | 8 | 4 | 47 | 73 | 1,1 | 0,38 |
| 03036-210 | M10 | 6 | 2 | 23 | 9 | 5 | 66 | 100 | 1,3 | 0,6 |
| 03036-212 | M12 | 8 | 2,5 | 26 | 10 | 6 | 66 | 120 | 2 | 1,3 |
| 03036-216 | M16 | 10 | 3,5 | 33 | 14 | 8 | 90 | 180 | 3,9 | 3 |