

Spring plungers

with hexagon socket and ceramic ball, stainless steel



Material:

Sleeve 1.4305.
Ceramic ball Si_3N_4 .
Spring 1.4310.

Version:

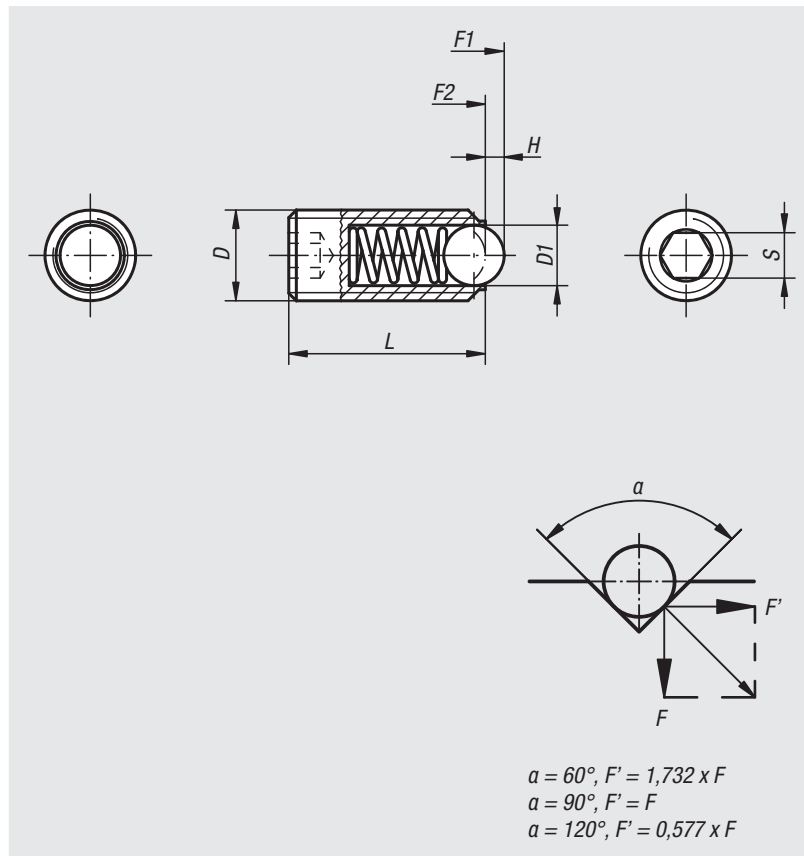
Bright.

Sample order:

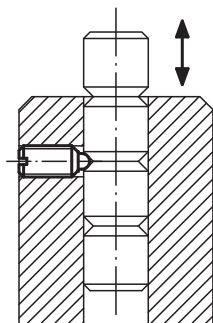
nIm 03033-05

Note:

The combination of excellent material properties is a special feature of silicon nitride (Si_3N_4). These include high resilience and stability, excellent wear properties and good chemical resistance.



column indexing



Order No.	D	D1	H	L	S	Spring force initial pressure F1 approx. N	Spring force final pressure F2 approx. N
03033-05	M5	3	0,9	14	2,5	6	11
03033-06	M6	3,5	1	15	3	9	13
03033-08	M8	5	1,5	18	4	15	30
03033-10	M10	6	2	23	5	20	35
03033-12	M12	8	2,5	26	6	30	55
03033-16	M16	10	3,5	33	8	65	125