

Spring plungers

with slot and stainless steel ball, plastic



Material:

Sleeve plastic.

Ball 1.4034 stainless steel.

Spring 1.4310.

Version:

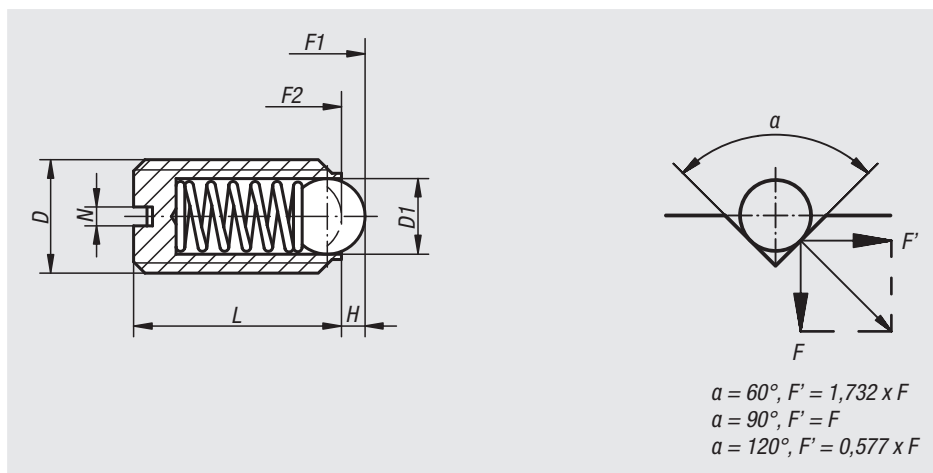
Ball, hardened.

Sample order:

nlm 03014-10

Note:

Spring plungers are used for indexing and positioning. They can also be used as ejectors.



Order No.	D	D1	H	L	N	Spring force initial pressure F1 approx. N	Spring force final pressure F2 approx. N
03014-06	M6	3,5	1	14	1	9	13
03014-08	M8	5	1,5	16	1,2	15	30
03014-10	M10	6	2	19	1,6	20	40