

Spring plungers

with slot and POM ball, plastic



Material:

Sleeve plastic.
Ball POM.
Spring 1.4310 wire.

Version:

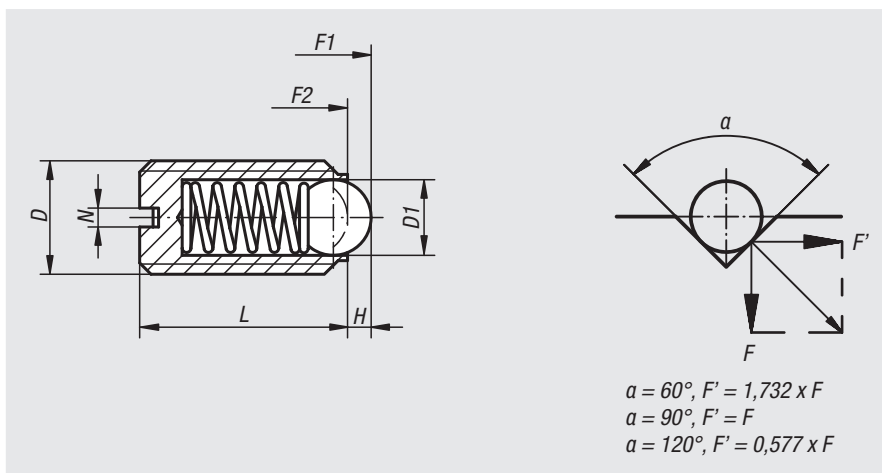
Ball, white.

Sample order:

nIm 03004-10

Note:

Spring plungers are used for indexing and positioning.
They can also be used as ejectors.



Order No.	D	D1	H	L	N	Spring force initial pressure F1 approx. N	Spring force final pressure F2 approx. N
03004-06	M6	3,5	1	14	1	9	13
03004-08	M8	5	1,5	16	1,2	15	30
03004-10	M10	6	2	19	1,6	20	40

Spring plungers

with slot and ceramic ball, stainless steel



Material:

Sleeve 1.4305.
Ceramic ball Si_3N_4 .
Spring 1.4310.

Version:

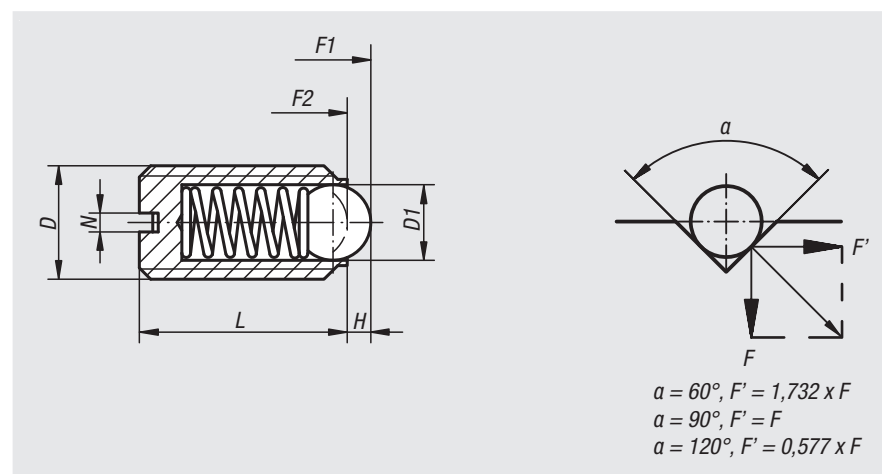
Bright.

Sample order:

nIm 03008-05

Note:

The combination of excellent material properties is a special feature of silicon nitride (Si_3N_4). These include high resilience and stability, excellent wear properties and good chemical resistance.



Order No.	D	D1	H	L	N	Spring force initial pressure F1 approx. N	Spring force final pressure F2 approx. N
03008-05	M5	3	0,9	12	0,8	6	11
03008-06	M6	3,5	1	14	1	9	13
03008-08	M8	5	1,5	16	1,2	15	30
03008-10	M10	6	2	19	1,6	20	35
03008-12	M12	8	2,5	22	2	30	55
03008-16	M16	10	3,5	24	2,5	65	125