

## Item description/product images

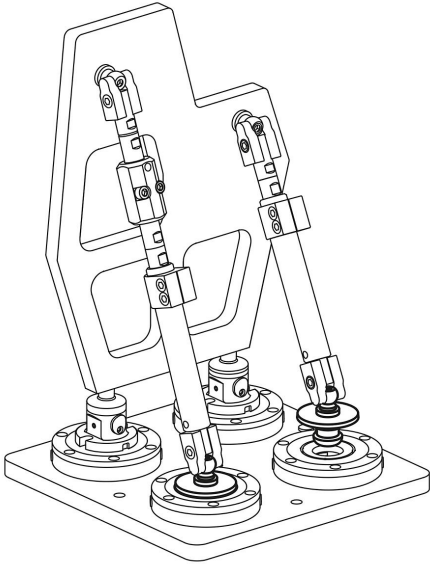


## Description

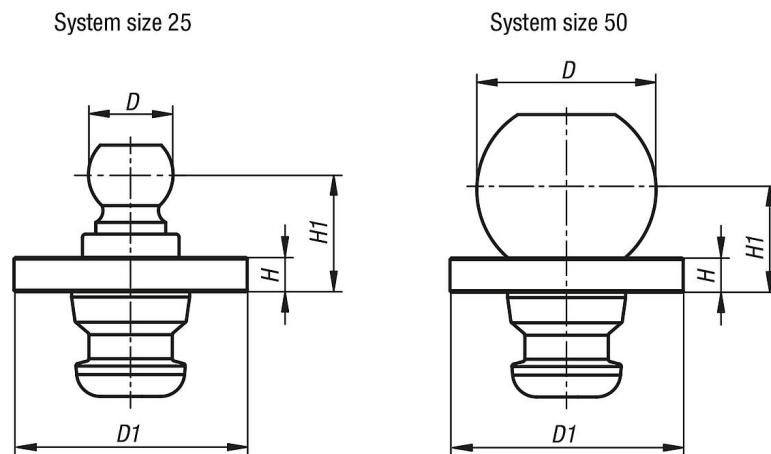
**Material:**  
Steel.

**Note:**  
The fastening set is suitable for adaption to UNILOCK zero point clamping technology.

The clamping balls can be exchanged between the two system sizes.



## Drawings



## Overview of items

Order No.	Size	D	D1	H	H1
02405-2540	25	25,4	78	10	35
02405-5040	50	50	78	10	30

