

Item description/product images



Description

Material:

Steel 1.7131.

Version:black oxidised,
case-hardened and ground.**Note:**

The straps are used to fasten fixture components via the T-slot.

The hole spacing on the straps enable flexible mounting on the machine table or a base element.

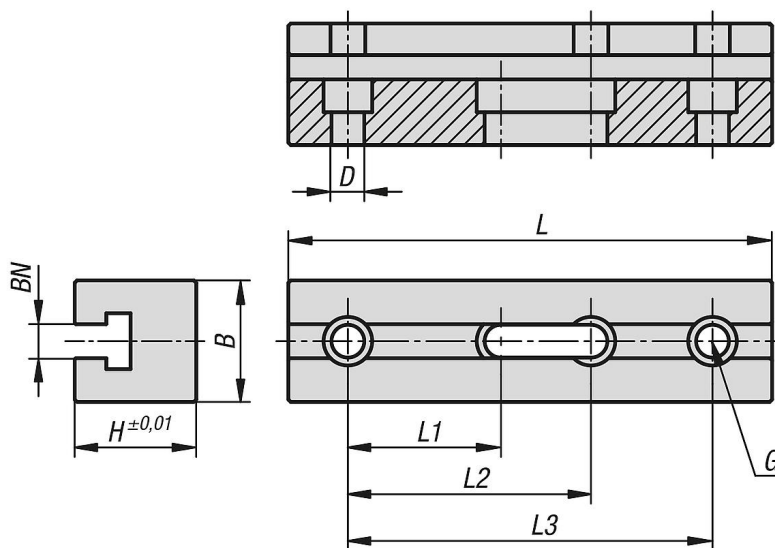
Diagonal installation is possible due to the combination of the fastening hole and fastening slot.

Accessory:

DIN 912 cap screws

Nuts for DIN 508 T-slots

Drawings



Overview of items

Order No.	BN=Slot width	B	D	H	L	L1	L2	L3	G for socket head screw
02395-05-14149	14	48	13,5	50	149	63	100	-	M12
02395-05-14199	14	48	13,5	50	199	63	100	150	M12
02395-05-18149	18	58	17,5	60	149	63	100	-	M16
02395-05-18199	18	58	17,5	60	199	63	100	150	M16

