

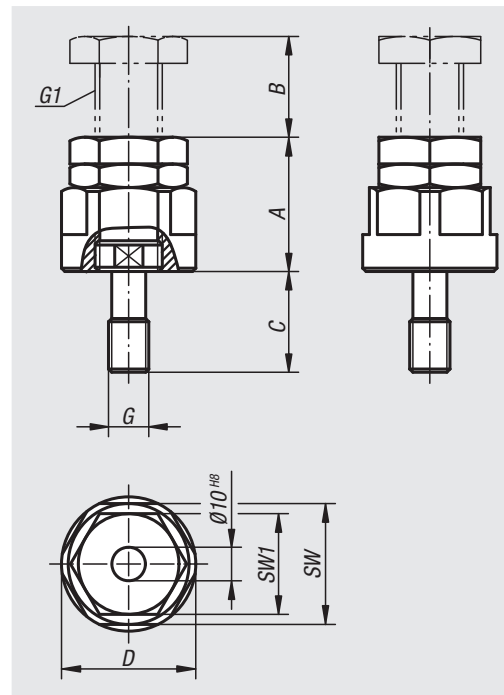
Jack screws

Material:
Carbon steel.

Version:
Black oxidised.
Adjustment spindle tempered.

Sample order:
nlm 02385-16100

Note:
Use the inserts 02387 to adapt the contact face to requirements.



Order No.	A min.	B max.	C	D	SW	SW1	G	G1
02385-12040	40	10	30	40	36	30	M12	M20x1,5
02385-12050	50	20	30	40	36	30	M12	M20x1,5
02385-12070	70	40	30	40	36	30	M12	M20x1,5
02385-12100	100	50	30	50	46	36	M12	M24x2
02385-12150	150	100	30	50	46	36	M12	M24x2
02385-16040	40	10	30	40	36	30	M16	M20x1,5
02385-16050	50	20	30	40	36	30	M16	M20x1,5
02385-16070	70	40	30	40	36	30	M16	M20x1,5
02385-16100	100	50	30	50	46	36	M16	M24x2
02385-16150	150	100	30	50	46	36	M16	M24x2

Inserts



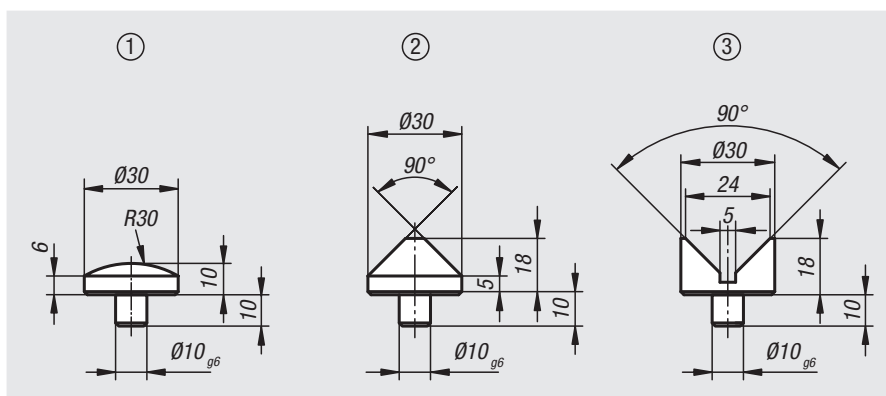
Material:
Carbon steel.

Version:
Tempered to 1100-1200 N/mm², black oxidised.

Sample order:
nlm 02387-02

Drawing reference:

- 1) rounded insert
- 2) cone insert
- 3) prism insert



Order No.	Version
02387-01	Rounded insert
02387-02	Cone insert
02387-03	Prism insert