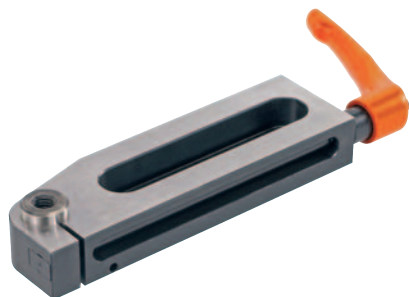


Workpiece supports



Material:
Steel.

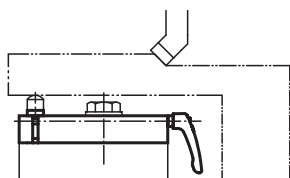
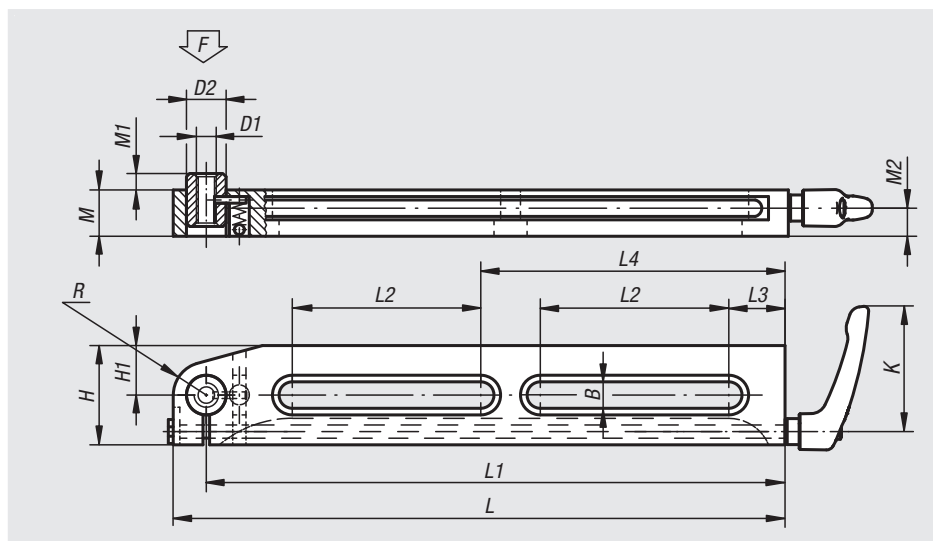
Version:
Case-hardened, black oxidised and ground.

Sample order:
nlm 02380-150

Note:

These supports are placed under long or thin workpieces to prevent vibration or bending during milling, drilling, grinding or shaping operations. The support can be accurately placed without the need to reach under the workpiece. The support pin contacts the workpiece under light pressure. It can be tightened in any position. Various types of pins can be screwed into the tapped hole in the thrust pin to adapt the support height.

The supports 02380-075, 02380-150 and 02380-170 have only 1 slot.



Order No.	K	L	L1	L2	L3	L4	B	H	H1	D1	D2	M	M1	M2	R	F N
02380-75	65	85	75	35	13	-	8,5	30	10	M8	13	19,5	3	11,5	-	500
02380-150	80	165	150	90	20	-	13	50	25	M10	20	24	6	14	15	2500
02380-170	110	190	170	100	25	-	17	60	20	M16	26	34	11	21,5	-	5000
02380-300	80	315	300	100	30	160	13	50	25	M10	20	24	6	14	15	2500