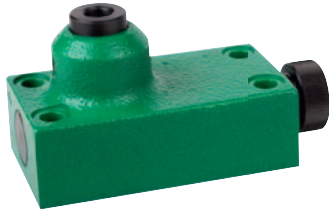


Rectangular support elements



Material:

Housing GJL 250, thrust pads and locking parts carbon steel.

Version:

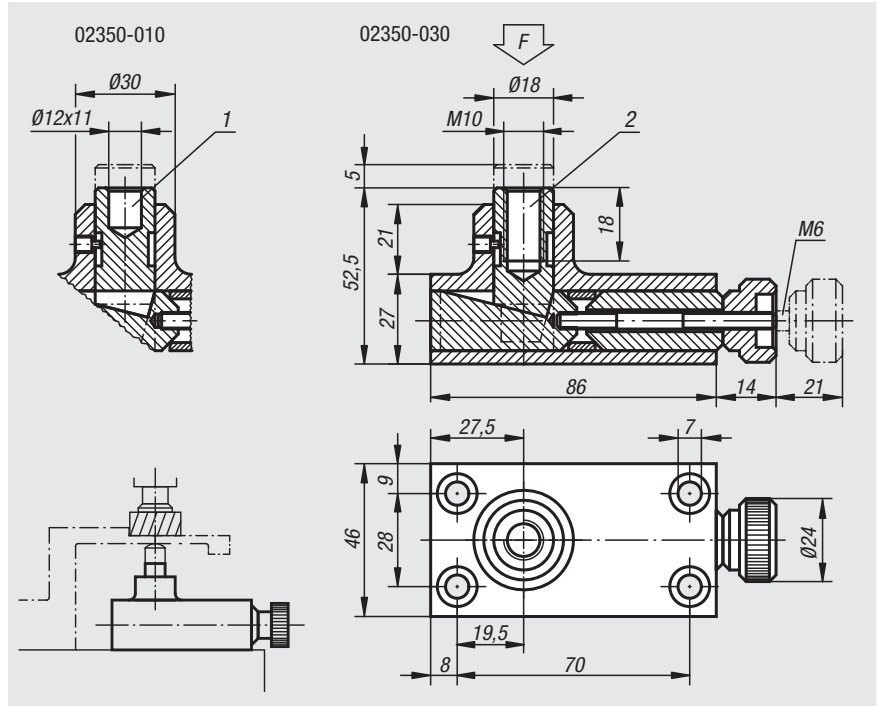
Housing painted, steel parts black oxidised.

Sample order:

nIm 02350-030

Drawing reference:

- 1) centring hole for 02210
- 2) tapped hole for: 02000-110, 02000-310, 02000-910, 02030-10, 02030-101



Order No.	F max. kN
02350-010	30
02350-030	30

Workpiece supports



Material:

Steel.

Version:

Case-hardened, black oxidised and ground.

Sample order:

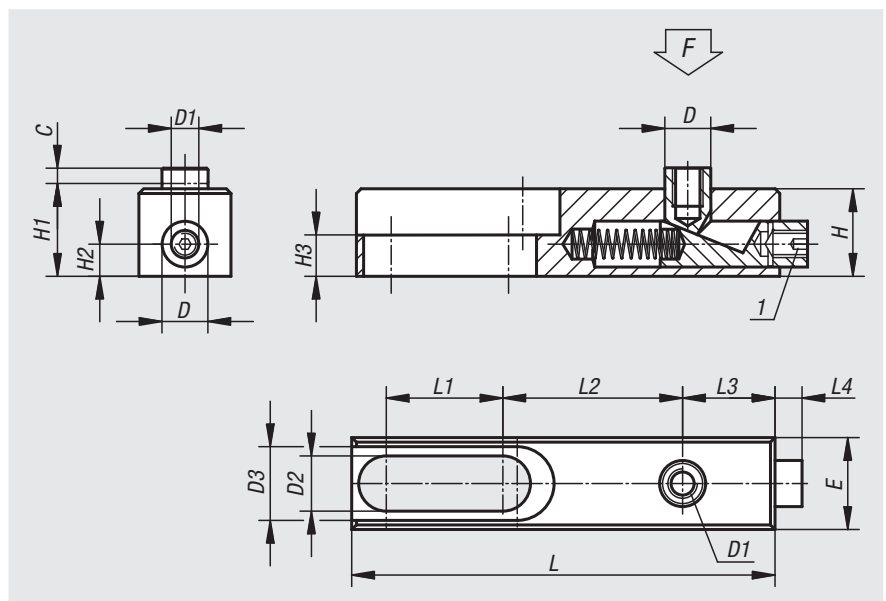
nIm 02360-006

Note:

These supports are placed under long or thin workpieces to prevent vibration or bending during milling, drilling, grinding or shaping operations.

Drawing reference:

- 1) set screw



Order No.	C	D	D1	D2	D3	E	H	H1	H2	H3	L	L1	L2	L3	L4	F kN
02360-006	4	10	M6	8,2	16,2	20	19	19,5	7	9	92	25,5	39	20	6	3
02360-010	6	16	M10	12,5	24,4	30	30	31	10	10	149	44	61	32	11	15