

# Workpiece support cylinders



**Material:**

Carbon steel.

**Version:**

Body black oxidised.

Thrust pin hardened and black oxidised.

**Sample order:**

nln 02335-06039

**Drawing reference:**

J = mounting screw

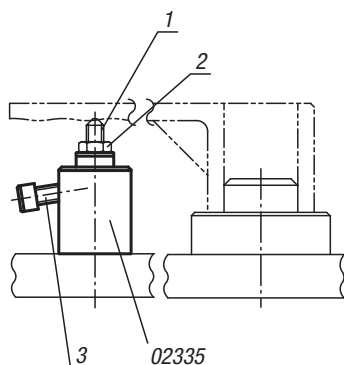
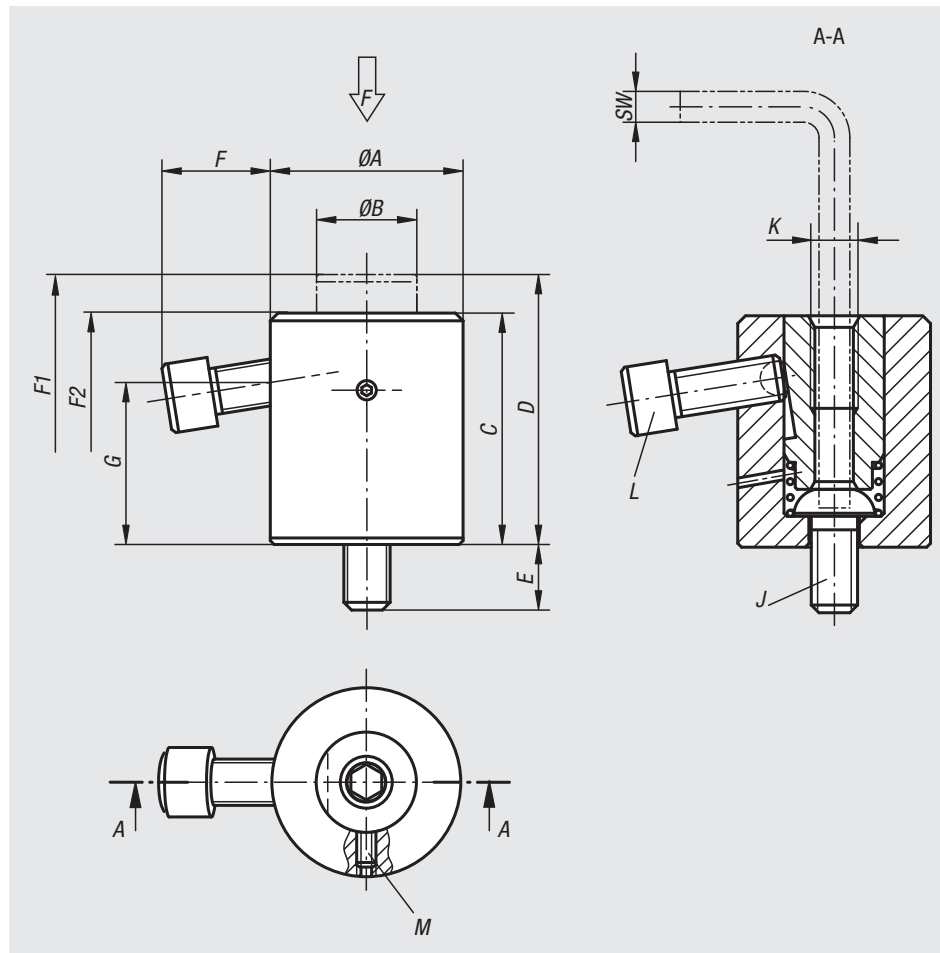
L = ball-end thrust screw

M = grub screw

1) screw rest

2) hexagonal nut

3) ball-end thrust screw



Order No.	A	B	C	D	E	F	G	J	K	L	M	SW	F N	Spring force initial pressure F1 approx. N	Spring force final pressure F2 approx. N
02335-06039	28	14	33	39	10	14,1	22	M6	M6x12	M6x16	M4x8	4	4000	10	22
02335-08052	35	19	42	52	15	18,8	28,5	M8	M8x16	M8x20	M4x8	5	6000	10	27
02335-12070	50	26	60	70	17	28,5	42	M12	M12x24	M12x30	M5x12	8	9000	15	30
02335-16080	60	33	70	80	22	26,5	47	M16	M16x32	M12x30	M5x15	10	9000	15	35