

Workpiece supports



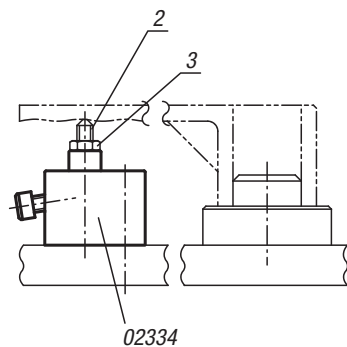
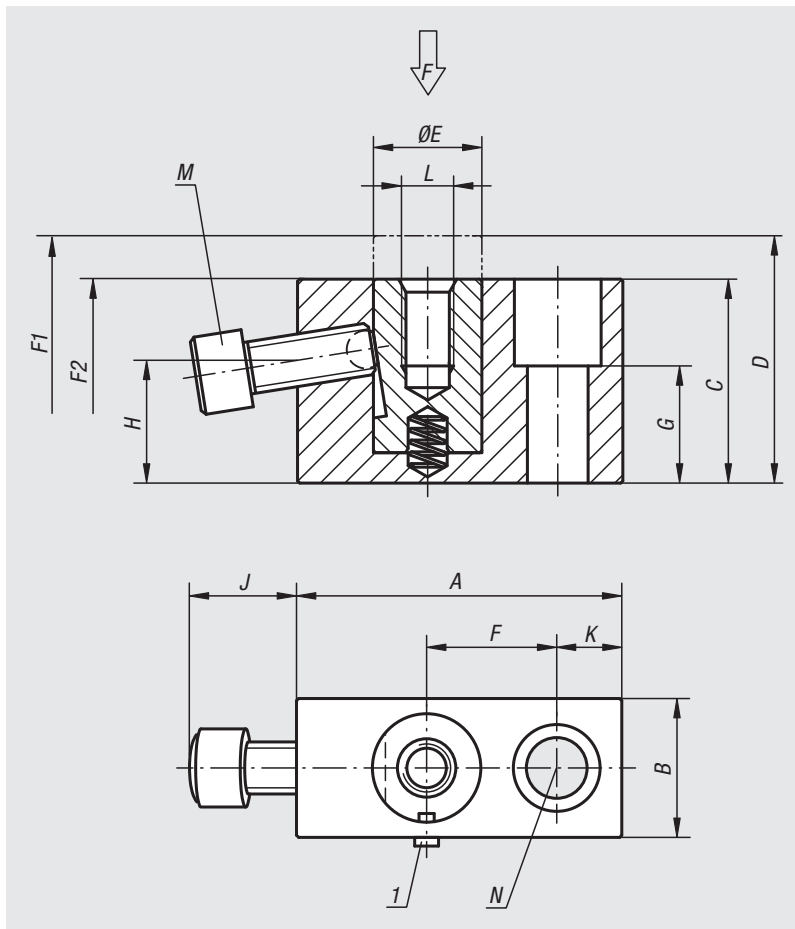
Material:
Carbon steel.

Version:
Body black oxidised.
Thrust pin tempered and black oxidised.

Sample order:
nlm 02334-06029

Drawing reference:
M = ball pressure screw
N = through hole for socket head screw DIN 912

- 1) rotation lock
- 2) screw rest
- 3) hexagonal nut



Order No.	B	D	G	H	H1	H2	H3	L	L1	L2	L3	M	N	F N	Tightening torque Mounting screws Nm	Spring force initial pressure F1 approx. N	Spring force final pressure F2 approx. N
02334-06029	19	12	M6x10	35	29	15	17,6	38	13	8	15	M6x16	M6	4000	7,5	0	6
02334-08037	22	16	M8x15	47	37	20	21,1	50	16	10	20	M8x20	M8	6000	14	0	7
02334-12047	32	25	M12x20	57	47	27	28,3	75	25	15	30	M12x30	M12	9000	22	1	11