

Workpiece supports

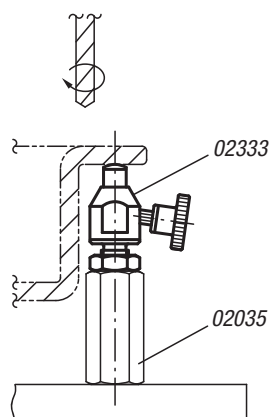
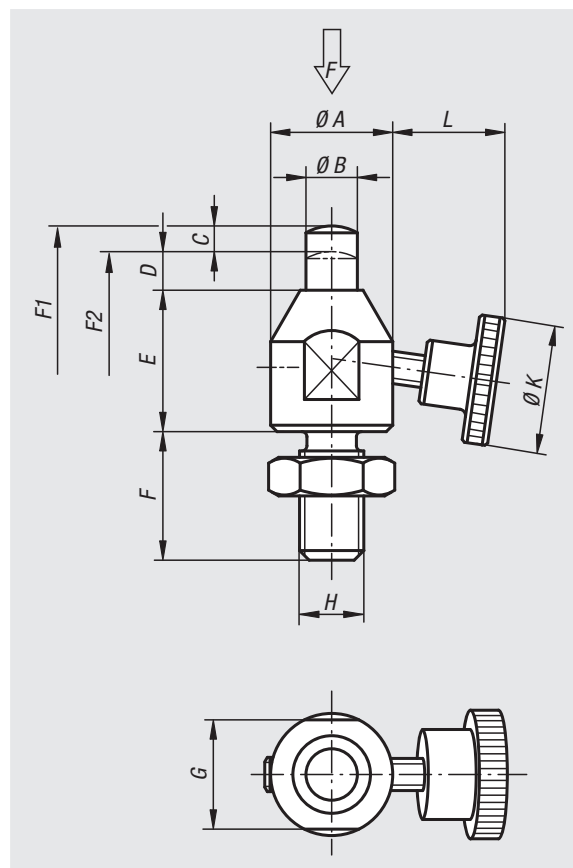
adjustable



Material:
Carbon steel.

Version:
Body black oxidised.
Rest pad hardened and black oxidised.

Sample order:
nlm 02333-08023



Order No.	A	B	C (travel)	D	E	F	G	H	K	L	F N	Spring force initial pressure F1 approx. N	Spring force final pressure F2 approx. N
02333-08023	15	6	3	5	18	16	13	M8	20	13,2	200	1,5	3
02333-10028	19	8	4	6	22	20	17	M10	25	16,3	300	1,8	3
02333-12031	22	10	4	6	25	24	19	M12	28	22,3	400	1,8	3