

Wedge supports



Material:
Carbon steel and ductile iron.

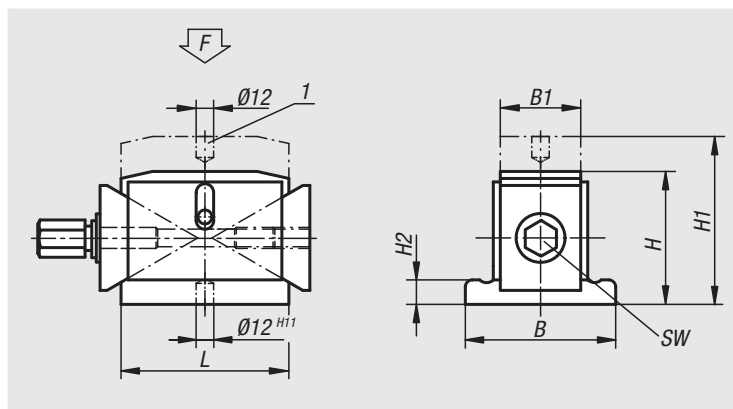
Version:
Tempered and black oxidised.
Wedge faces fine machined.

Sample order:
nlm 02320-50

Note:
Fine adjustment by knurled screw or Allen key. Therefore vertical movement without lateral displacement.
Especially suitable for marking or machining heavy parts.
Ball handle 02210-01 is added to each height wedge.

H min is reached by removing the baseplate.

Drawing reference:
1) centring hole for 02210



Order No.	Clamp range	B	B1	H	H1	H2	L	SW	travel per spindle rotation	F kN
02320-50	50 - 68	63	40	50	68	7	63	13	0,86	40
02320-100	100 - 125	115	60	100	125	20	125	24	1,16	100

Support elements cylindrical

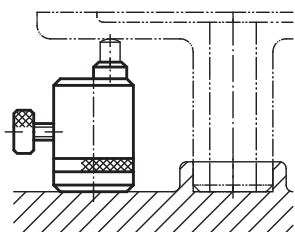
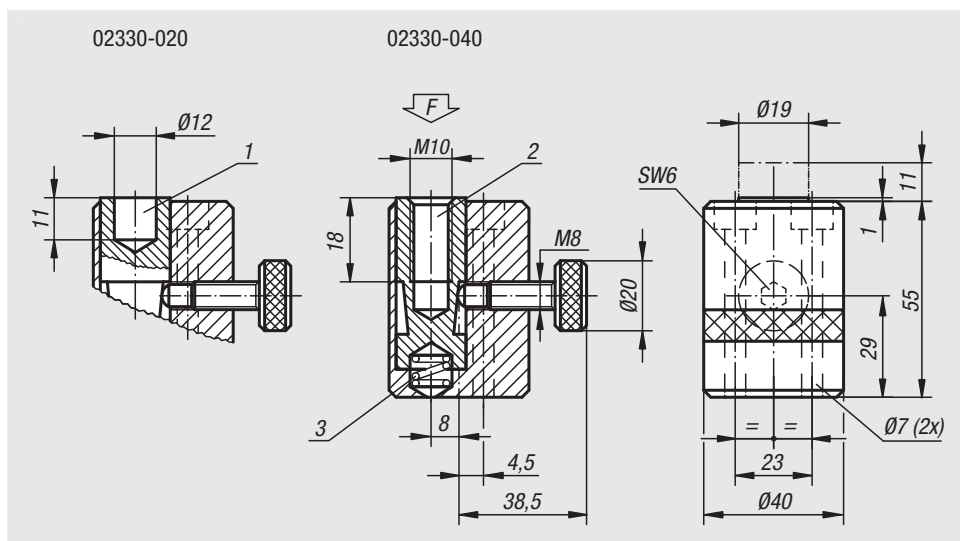


Material:
Carbon steel
1.1181.

Version:
Black oxidised.

Sample order:
nlm 02330-040

Drawing reference:
1) centring hole for 02210
2) tapped hole for: 02000-110, 02000-310, 02000-910, 02030-10, 02030-101
3) spring force 0.8 - 2.1 N



Order No.	F max. N
02330-020	4000
02330-040	4000