

Step blocks

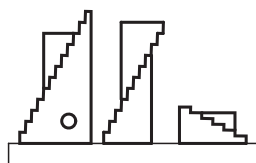
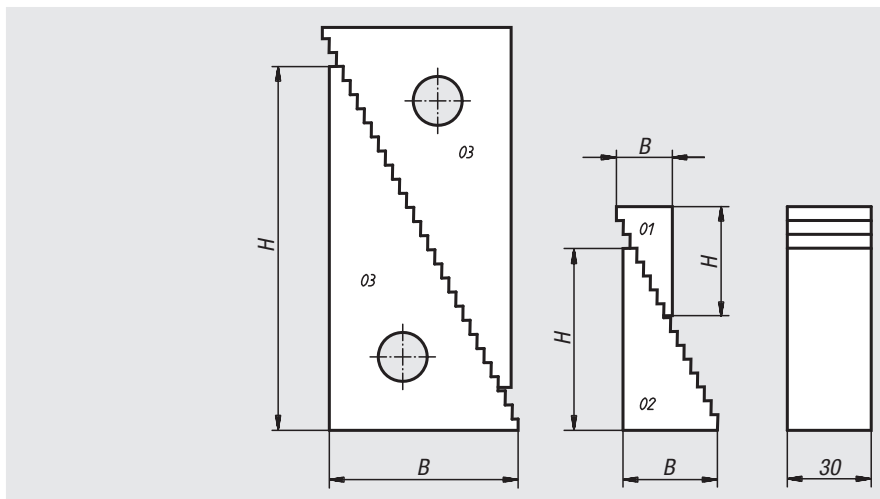
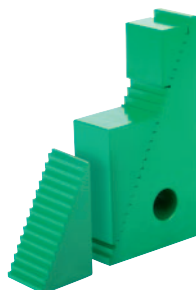
Material:
Carbon steel.

Version:
Painted

Sample order:
nlm 02270-02

Note:
For step block sets, see 02310.
Step blocks can also be used together
with stepped-heel clamp straps 04070.

Vertical step height: 4.65 mm
Horizontal step height: 2.3 mm



Order No.	B	H	Support height max.	Support height min.
02270-01	19	32	51	22
02270-02	35,5	65	107	39
02270-03	68	130	208	71

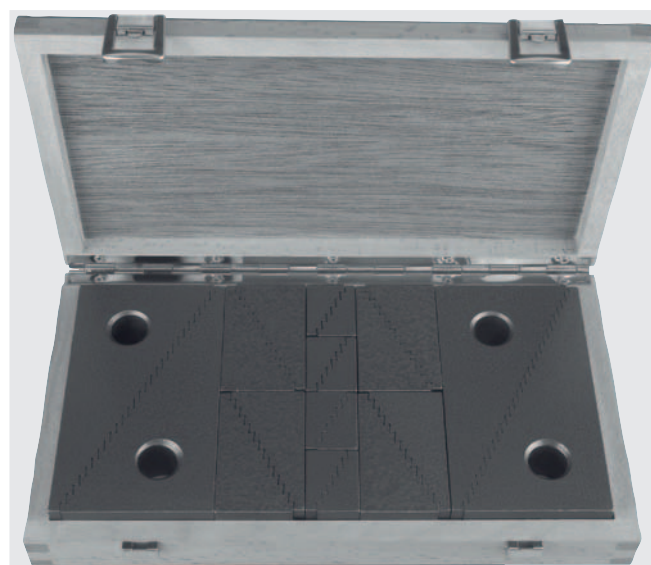
Step block sets

Material:
Carbon steel.

Version:
Painted

Sample order:
nlm 02310-01

Note:
The special tooth form allow these blocks to be used
vertically or horizontally. The complete set in a wooden
box comprises 20 parts which are interchangeable and
provide many possible uses. These blocks can also be
ordered separately, see 02270. Step blocks can also be
used together with stepped-heel clamp straps 04070.



Order No.	Content	Support height mm	Box dimensions mm
02310-01	8 ea. No. 01, 8 ea. No. 02, 4 ea. No. 03	from 22 to 208	280 x 155 x 40