

Atlas jack

with locknut

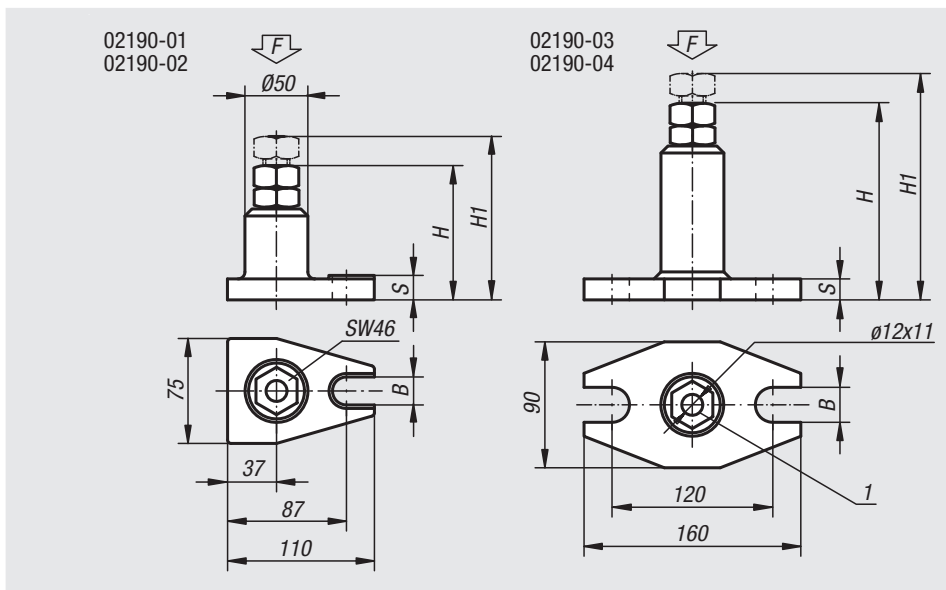
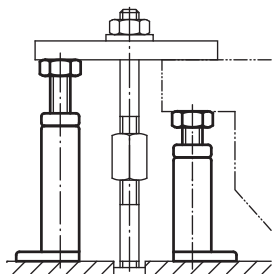


Material:
Carbon steel.

Version:
Hammerstone, spindle with 30 x 6 trapezoidal thread.

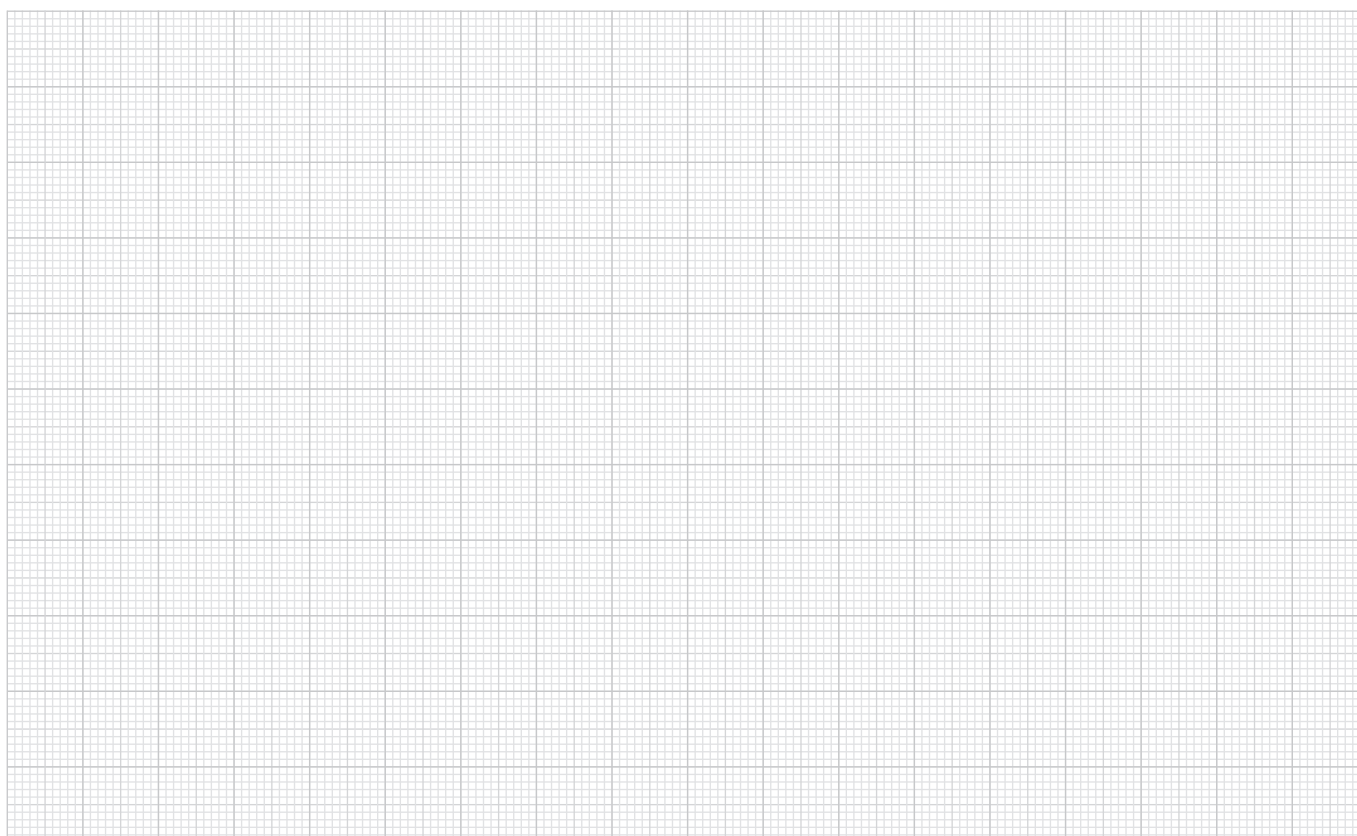
Sample order:
nlm 02190-03

Drawing reference:
1) centring hole for 02210



Order No.	Adjustment range	base plate	H	H1	B	S	F kN
02190-01	100 - 140	76x111	100	140	18	17	60
02190-02	140 - 200	76x111	140	200	18	17	60
02190-03	200 - 320	90x160	200	320	22	22	40
02190-04	320 - 540	90x160	320	540	22	25	25

Notes



01000
02000
03000
04000
05000
06000
07000
08000
09000
10000
12000