

Screw rest

with flat face, aluminium



Material:

Aluminium (400 N/mm² tensile strength).
Spindle carbon steel.

Version:

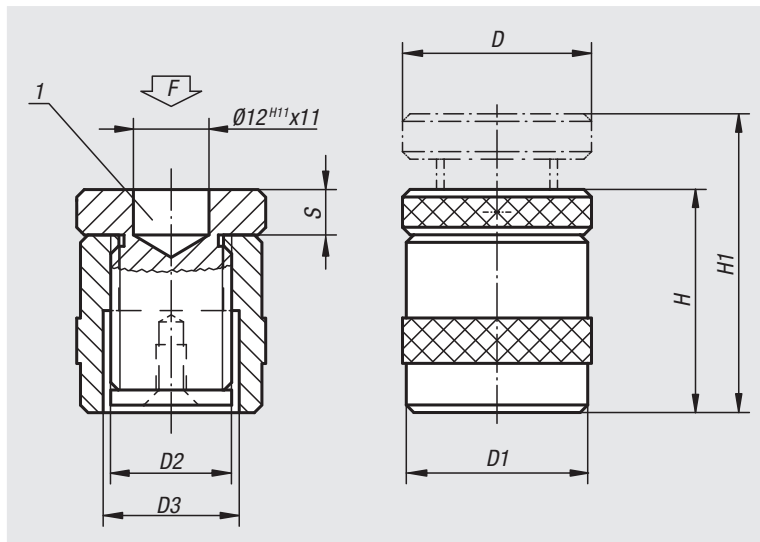
Self-locking trapezoidal thread, spindle has end lock.

Sample order:

nlm 02180-01

Drawing reference:

1) centring hole for 02210



Order No.	D	D1	D2	D3	H	H1	S	F max. kN
02180-01	50	50	Tr 30X4	36	42	52	12	30
02180-02	50	50	Tr 30X4	36	50	70	12	30
02180-03	50	50	Tr 30X4	36	70	100	12	30

Screw rest

with flat face and magnetic foot, aluminium



Material:

Aluminium (400 N/mm² tensile strength).
Spindle carbon steel.

Version:

Self-locking trapezoidal thread, spindle has end lock.

Sample order:

nlm 02182-01

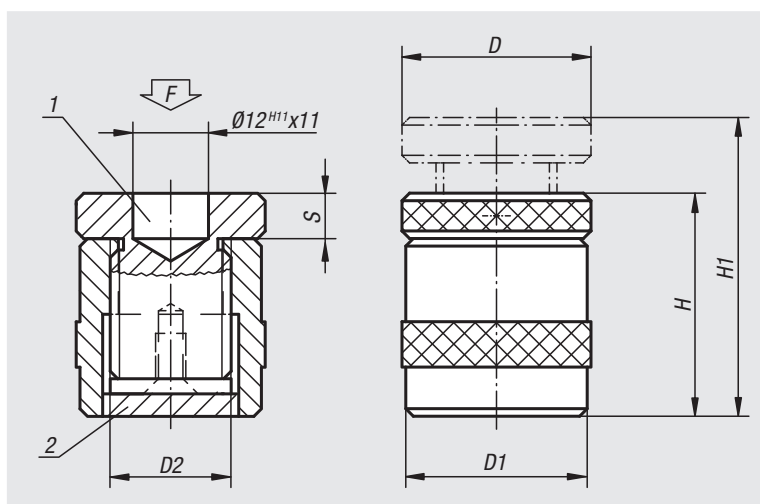
Note:

Suitable for horizontal and vertical applications. The magnetic foot allows durable and accurate vertical positioning of the workpiece.

Drawing reference:

1) centring hole for 02210

2) magnetic foot



Order No.	D	D1	D2	H	H1	S	F max. kN
02182-01	50	50	Tr 30X4	52	62	12	30
02182-02	50	50	Tr 30X4	60	80	12	30
02182-03	50	50	Tr 30X4	80	110	12	30