

Screw rest

with flat face, steel



Material:
Carbon steel.

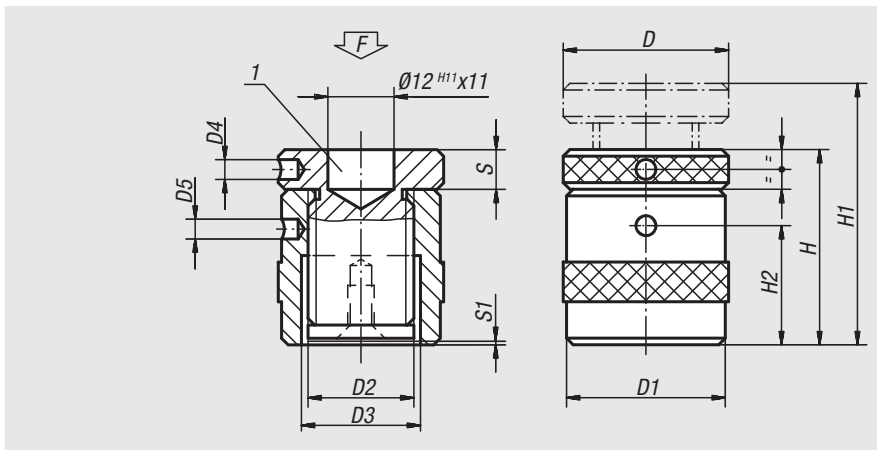
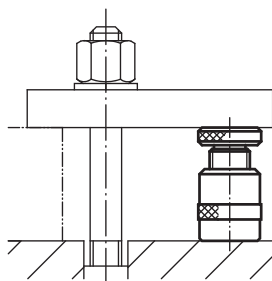
Version:
Painted, trapezoidal thread - self-locking, spindle has end lock

Sample order:
nlm 02170-02

Note:
The version 02170-01 has no Ø 12 centring hole.

Drawing reference:

1) centring hole for 02210



Order No.	D	D1	D2	D3	D4	D5	H	H1	H2	S	S1	F max. kN
02170-01	31	31	Tr 20X4	23	4	4	38	52	23	8	2	15
02170-015	50	49	Tr 30X4	36	6	6	42	52	24	12	2	60
02170-02	50	49	Tr 30X4	36	6	6	50	72	30	12	0,5	60
02170-03	50	49	Tr 30X4	36	6	6	71	102	43	16	1,5	60
02170-04	65	70	Tr 40X7	43	6	6	100	140	58	25	2,5	100
02170-05	70	80	Tr 50X8	55	6	6	140	212	90	30	4	170
02170-06	80	100	Tr 65X10	70	6	8	190	300	126	34	5	350

Screw rest

with flat face, stainless steel



Material:
Stainless steel 1.4305.

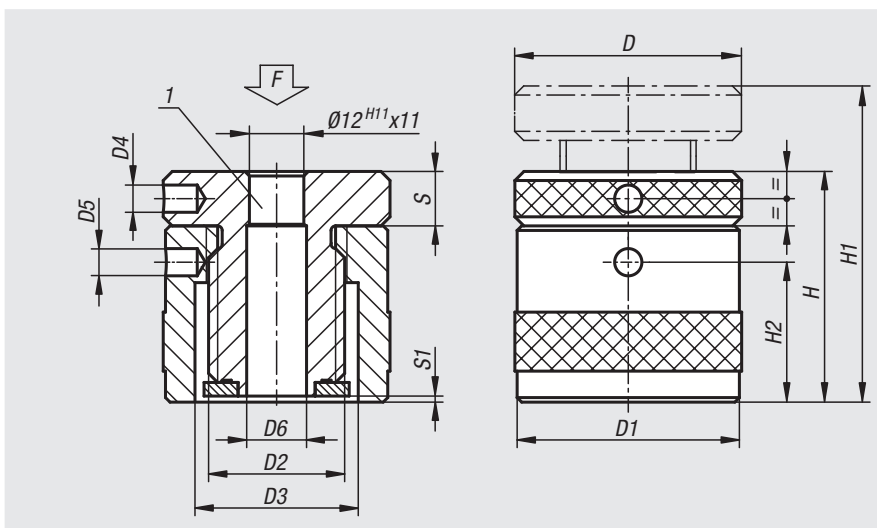
Version:
Self-locking trapezoidal thread, spindle has end lock.

Sample order:
nlm 02171-02

Note:
The through hole allows easy clamping and positioning of the workpiece.

Drawing reference:

1) centring hole for 02210



Order No.	D	D1	D2	D3	D4	D5	D6	H	H1	H2	S	S1	F max. kN
02171-015	50	49	Tr 30X4	36	6	6	13	42	52	24	12	2	50
02171-02	50	49	Tr 30X4	36	6	6	13	50	72	30	12	0,5	50
02171-03	50	49	Tr 30X4	36	6	6	13	71	102	43	16	1,5	50