

Stops adjustable

with end position feedback



Material:

Screw and plunger stainless steel 1.4301.

Guide bush stainless steel 1.4112.

Sensor housing stainless steel.

Version:

Screw and plunger, bright.

Guide bushing, bright.

Sensor housing, bright.

Inductive sensor:

Relay (NO)

Operating voltage 10 - 30 V DC

Operating current 100 mA

Switching distance 0.8 mm

Protection class: IP 67

Connection type: 0.3 m PUR cable with connector plug

Temperature range: -25°C - +70°C

Approval: CE, c-UL-us

Sample order:

nIm 02160-080352

Note:

The ensured sensing distance is achieved if the plunger is actuated flush up to the stop surface of the guide bush. The sensor is supplied unassembled.

Installation recommendation: glue in with Loctite 638.

Caution: screw sensor in until it comes to a stop.

Safety:

End position feedback stops are not suitable for personal protection.

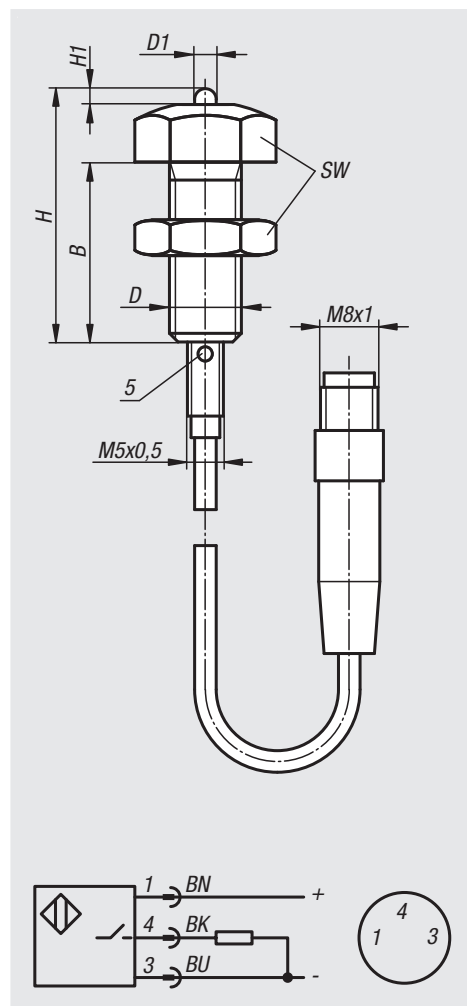
Drawing reference:

5) LED-indicator

BN = brown

BK = black

BU = blue



Order No.	Size	B	D	D1	H	H1	SW
02160-080352	1	25	M8	3	35,2	2	13
02160-100352	2	25	M10	3	35,2	2	17
02160-120352	3	25	M12	3	35,2	2	19