

Rest pads

**Material:**

Carbon steel or brass

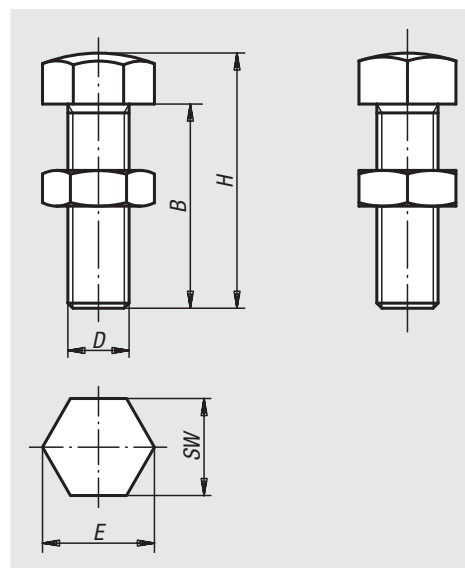
Version:

High-carbon steel tempered and black oxidised.

Brass bright.

Sample order:

nlm 02153-16055



Order No.	Main material	B	D	E	H	SW
02153-06030	high carbon steel	25	M6	11,5	30	10
02153-06040	high carbon steel	35	M6	11,5	40	10
02153-06050	high carbon steel	45	M6	11,5	50	10
02153-08036	high carbon steel	30	M8	15	36	13
02153-08046	high carbon steel	40	M8	15	46	13
02153-08056	high carbon steel	50	M8	15	56	13
02153-10042	high carbon steel	35	M10	19,6	42	17
02153-10048	high carbon steel	40	M10	19,6	48	17
02153-10058	high carbon steel	50	M10	19,6	58	17
02153-10068	high carbon steel	60	M10	19,6	68	17
02153-12048	high carbon steel	42	M12	21,9	50	19
02153-12070	high carbon steel	60	M12	21,9	70	19
02153-12080	high carbon steel	70	M12	21,9	80	19
02153-16055	high carbon steel	45	M16	27,7	55	24
02153-16075	high carbon steel	65	M16	27,7	75	24
02153-16085	high carbon steel	75	M16	27,7	85	24
02153-12148	brass	42	M12	21,9	50	19
02153-16155	brass	45	M16	27,7	55	24