

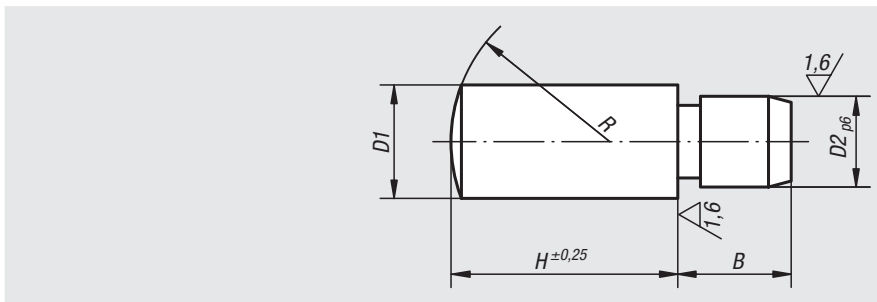
Rest pads



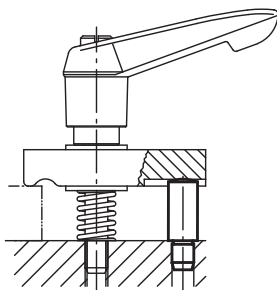
Material:
Steel 1.0301.

Version:
Case-hardened, black oxidised and ground.

Sample order:
nlm 02130-05X8 (include height H)



Order No.	H	B	D1	D2	R
02130-05X	8/10/12/16	5	5	4	7
02130-06X	10/12/16/20	6	6	5	8
02130-08X	12/16/20/25	8	8	6	11
02130-10X	16/20/25/32	10	10	8	14
02130-12X	20/25/32/40	12	12	10	16
02130-14X	20/25/32/40	14	14	12	20
02130-16X	25/32/40/50	16	16	14	25
02130-20X	25/32/40/50	20	20	16	28



Rest pads adjustable

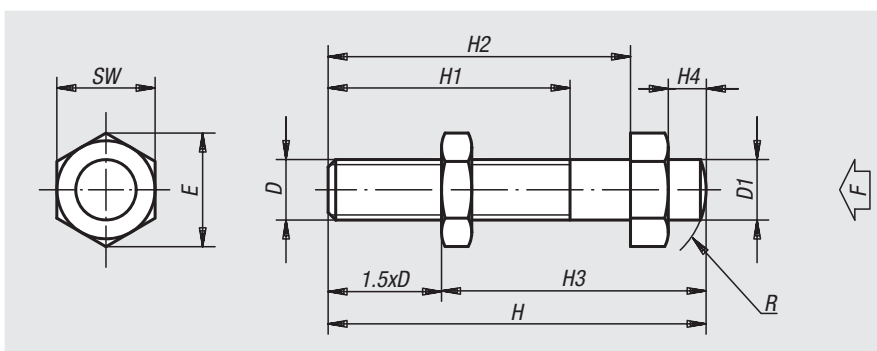
with locknut



Material:
Carbon steel 1.1181.

Version:
Surface hardened, black oxidised.

Sample order:
nlm 02150-05



Order No.	D	D1	H	H1	H2	H3 min.	H3 max.	H4	E	SW	R	F ca.N
02150-05	M5	5	50	32	40	20,5	42,5	5	11,5	10	7	1000
02150-06	M6	6	50	32	40	21	41	5	11,5	10	8	1430
02150-08	M8	8	50	32	40	22	38	5	15	13	11	2620
02150-10	M10	10	52	32	40	25	37	5	19,6	17	14	4180
02150-101	M10	10	70	32	56	42	55	6	19,6	17	14	4180
02150-12	M12	12	70	40	56	36	52	6	21,9	19	16	6100
02150-121	M12	12	95	50	80	51	77	6	21,9	19	16	6100
02150-14	M14	14	100	63	80	44	79	8	25,4	22	20	8320
02150-16	M16	16	100	63	80	45	76	8	27,7	24	25	11520
02150-161	M16	16	120	63	100	65	96	8	27,7	24	25	11520
02150-20	M20	20	110	70	88	50	90	10	34,6	30	28	18000

