

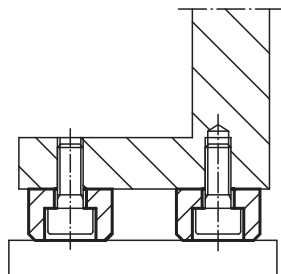
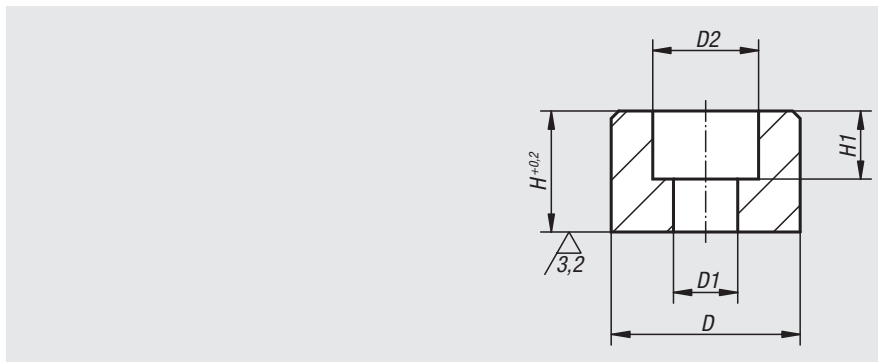
Locating feet



Material:
Steel 1.0718.

Version:
Hardened, black oxidised.

Sample order:
nlm 02090-08



Order No.	D	D1	D2	H	H1
02090-05	16	5,5	10	10	5,7
02090-06	20	6,6	11	12	7
02090-08	25	9	15	16	9
02090-10	32	11	18	20	11
02090-12	36	13,5	20	25	13

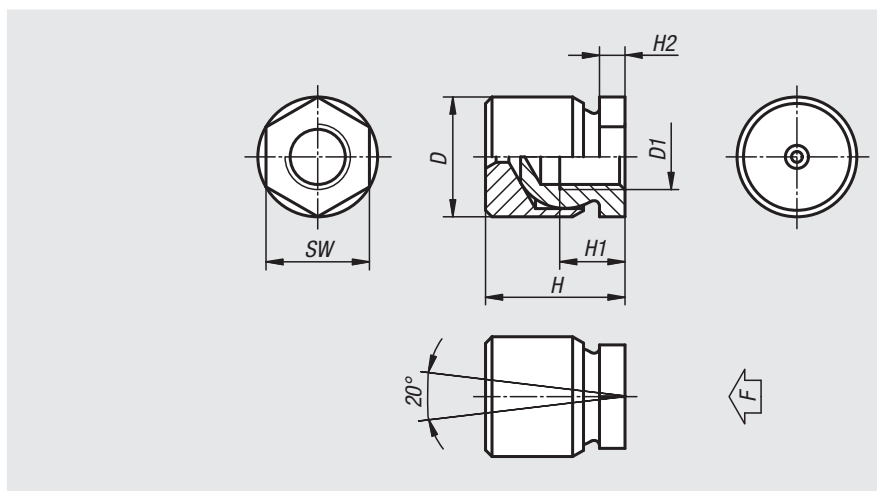
Swivel pads



Material:
Ball element case-hardened steel.
Thrust pad ETG 100 steel.

Version:
Black oxidised.

Sample order:
nlm 02110-10



Order No.	D	D1	H	H1	H2	SW	Load rating max. kN
02110-05	13	M5	16,5	6,5	4	10	1,62
02110-06	13	M6	16,5	8,5	4	10	2,33
02110-08	16	M8	21	9	4	13	4,15
02110-10	19	M10	23	10	4	17	6,48
02110-12	22	M12	25,5	12	4,7	19	8,32
02110-16	25	M16	29,5	14	5	24	13,94
02110-20	32	M20	36	18	8,5	30	21

