

Fixture feet

with internal thread



Material:

Body high carbon steel.

Version:

Body tempered and black oxidised.
Contact faces case-hardened.

Sample order:

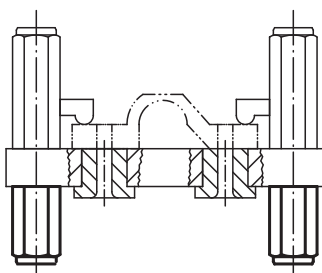
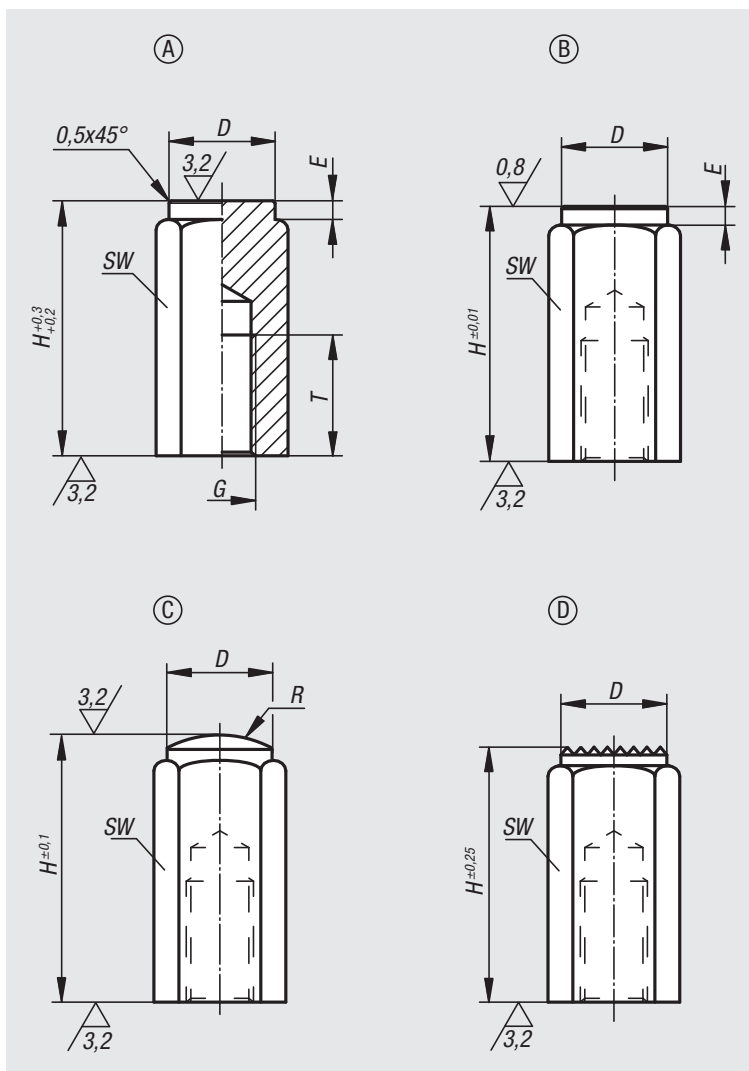
nlm 02070-106X20

Note:

Fixture feet with internal thread are used as supports for fixtures or rough or machined workpieces. They can also be used as stops or thrust pads in fixtures and toolmaking.

Drawing reference:

- Form A: Flat face hardened
- Form B: Flat face hardened and ground
- Form C: Spherical face hardened
- Form D: Serrated face tempered



Order No. Form A	Order No. Form B	Order No. Form C	Order No. Form D	D	E	G	H	R	T	SW
02070-106X20	02070-206X20	02070-306X20	02070-406X20	9,5	2/2/-/-	M6	20	-/-/15/-	12	10
02070-106X40	02070-206X40	02070-306X40	02070-406X40	9,5	2/2/-/-	M6	40	-/-/15/-	12	10
02070-110X32	02070-210X32	02070-310X32	02070-410X32	16,5	3/3/-/-	M10	32	-/-/30/-	18	17
02070-110X63	02070-210X63	02070-310X63	02070-410X63	16,5	3/3/-/-	M10	63	-/-/30/-	18	17
02070-112X32	02070-212X32	02070-312X32	02070-412X32	18,5	3/3/-/-	M12	32	-/-/35/-	18	19
02070-112X63	02070-212X63	02070-312X63	02070-412X63	18,5	3/3/-/-	M12	63	-/-/35/-	18	19
02070-116X50	02070-216X50	02070-316X50	02070-416X50	23	4/4/-/-	M16	50	-/-/40/-	24	24
02070-116X100	02070-216X100	02070-316X100	02070-416X100	23	4/4/-/-	M16	100	-/-/40/-	24	24

01000 02000 03000 04000 05000 06000 07000 08000 09000 10000 12000