

## Fixture feet

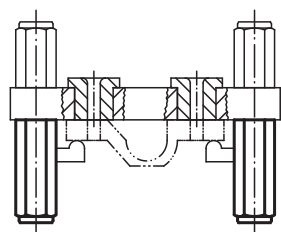
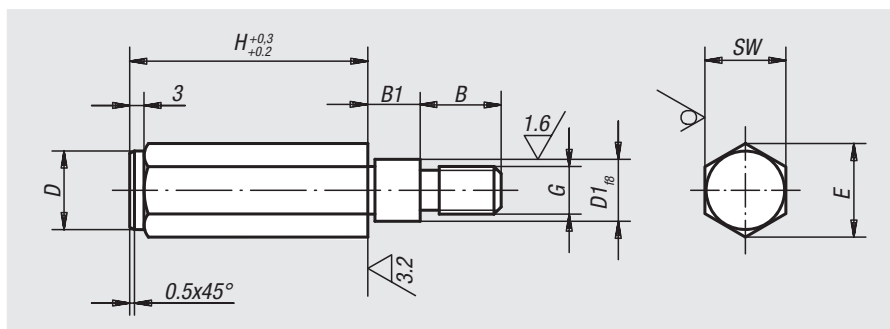
with external thread



**Material:**  
Carbon steel 1.1181.

**Version:**  
Black oxidised.

**Sample order:**  
nlm 02050-10X75 (include height H)



Order No.	B	B1	D	D1	G	H	E	SW
02050-10X	17	11	16,5	11	M10	50/75/100	19,5	17
02050-12X	17	18	18,5	13	M12	50/75/100/125	21,5	19

## Application of a drilling jig

