

Positioning feet



Material:

Body high carbon steel.

Version:

Body tempered and black oxidised.
Contact faces case-hardened.

Sample order:

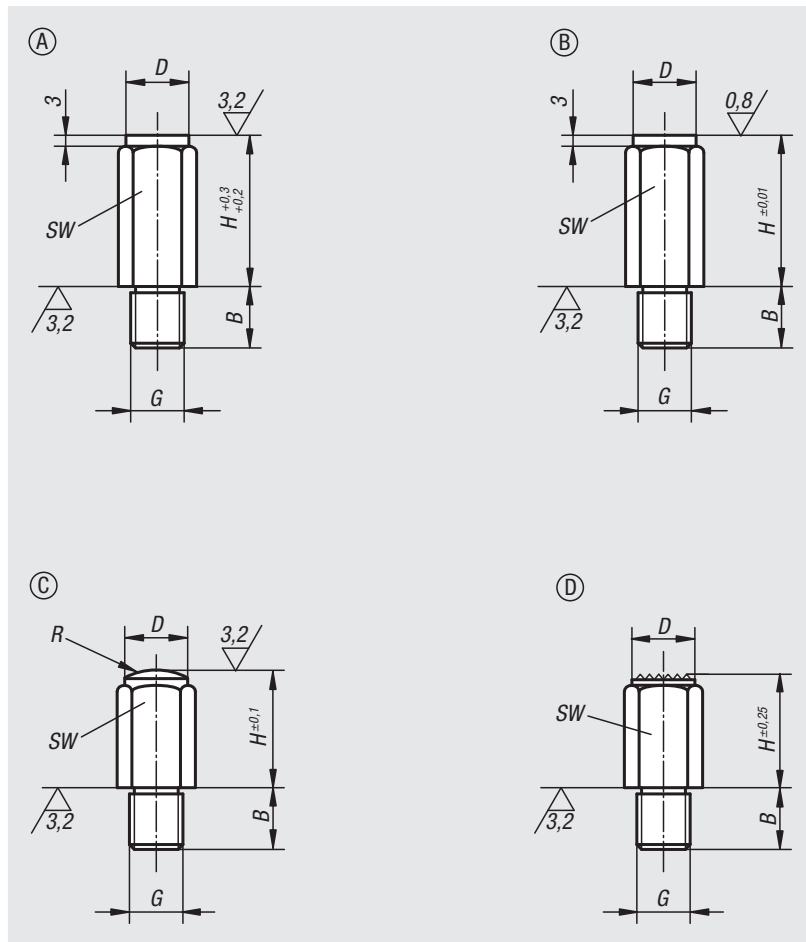
nIm 02041-106010

Note:

These positioning feet are used as supports for rough and machined parts. They can also be used as stops and thrust pads in fixtures and toolmaking.

Drawing reference:

- Form A: Flat face hardened
- Form B: Flat face hardened and ground
- Form C: Spherical face hardened
- Form D: Serrated face tempered



Order No. Form A	Order No. Form B	Order No. Form C	Order No. Form D	B	D	G	H	R	SW
02041-106010	02041-206010	02041-306010	02041-406010	11	10	M6	10	-/-/15/-	10
02041-106020	02041-206020	02041-306020	02041-406020	11	10	M6	20	-/-/15/-	10
02041-108010	02041-208010	02041-308010	-	13	13	M8	10	-/-/20/-	13
02041-108015	02041-208015	02041-308015	02041-408015	13	13	M8	15	-/-/20/-	13
02041-108030	02041-208030	02041-308030	02041-408030	13	13	M8	30	-/-/20/-	13
02041-110010	02041-210010	02041-310010	-	16	17	M10	10	-/-/30/-	17
02041-110020	02041-210020	02041-310020	02041-410020	16	17	M10	20	-/-/30/-	17
02041-110040	02041-210040	02041-310040	02041-410040	16	17	M10	40	-/-/30/-	17
02041-112010	02041-212010	02041-312010	-	20	19	M12	10	-/-/40/-	19
02041-112025	02041-212025	02041-312025	02041-412025	20	19	M12	25	-/-/35/-	19
02041-112050	02041-212050	02041-312050	02041-412050	20	19	M12	50	-/-/35/-	19
02041-116015	02041-216015	02041-316015	-	24	27	M16	15	-/-/50/-	27
02041-116030	02041-216030	02041-316030	02041-416030	24	27	M16	30	-/-/50/-	27
02041-116060	02041-216060	02041-316060	02041-416060	24	27	M16	60	-/-/50/-	27
02041-120040	02041-220040	02041-320040	02041-420040	29	32	M20	40	-/-/60/-	32
02041-120080	02041-220080	02041-320080	02041-420080	29	32	M20	80	-/-/60/-	32

01000 02000 03000 04000 05000 06000 07000 08000 09000 10000 12000