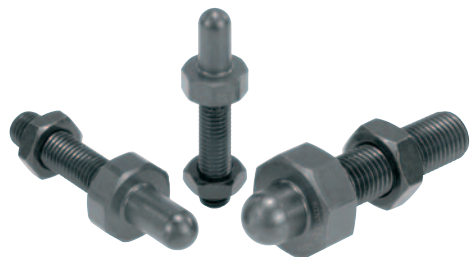


Support bolts


Material:

Carbon steel, tempered.

Version:

Black oxidised.

Sample order:

nIm 02037-16016

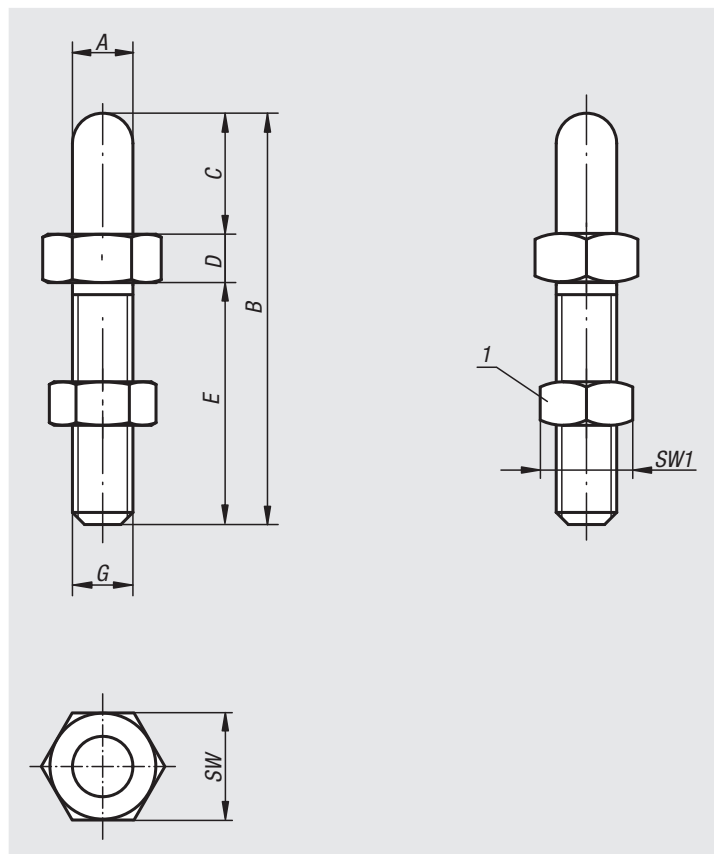
Note:

The rounded nose also allows support bolts to be used as positioning elements for workpieces with matching holes.

The versions 02037-20020 and 02037-20040 have an octagonal collar.

Drawing reference:

1) locknut



Order No.	A	B	C	D	E	G	SW	SW1
02037-06006	6	37	6	6	25	M6	13	10
02037-06012	6	43	12	6	25	M6	13	10
02037-08008	8	45	8	7	30	M8	13	13
02037-08016	8	53	16	7	30	M8	13	13
02037-10010	10	58	10	8	40	M10	17	17
02037-10020	10	68	20	8	40	M10	17	17
02037-12012	12	72	12	10	50	M12	19	19
02037-12024	12	84	24	10	50	M12	19	19
02037-16016	16	89	16	13	60	M16	24	24
02037-16032	16	105	32	13	60	M16	24	24
02037-20020	20	115	20	15	80	M20	36	30
02037-20040	20	135	40	15	80	M20	36	30