

Rest pads

**Material:**

Body high carbon steel.

Version:

Body tempered and black oxidised.

Sample order:

nIm 02028-106012

Note:

Rest pads are for supporting machined and non-machined parts. They can also be used as stops and thrust pads in fixtures and toolmaking.

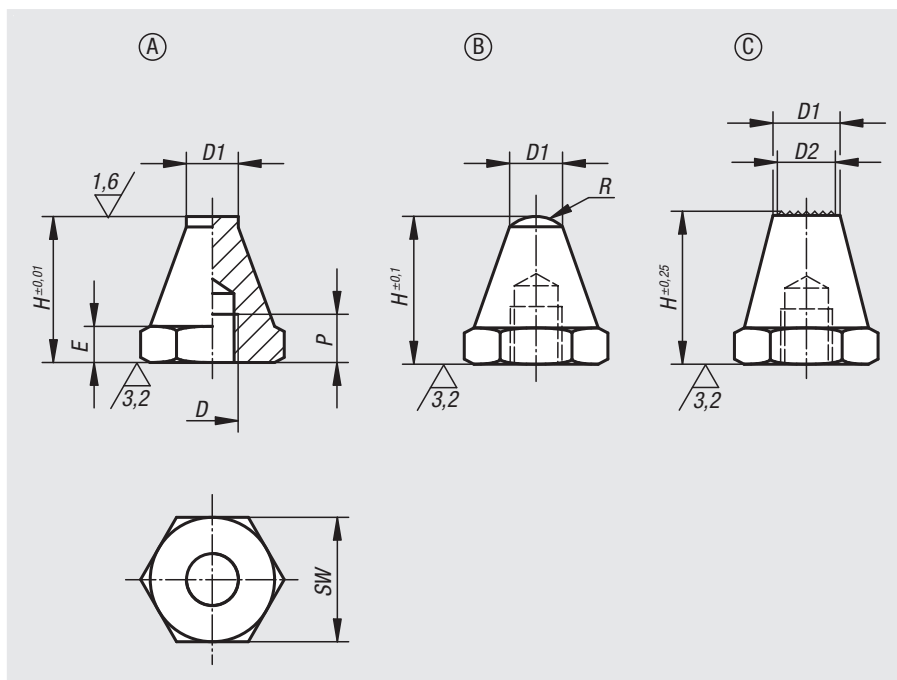
Studs or grub screws can be screwed and glued into the tapped hole D to make a rest pad with external thread.

Drawing reference:

Form A: flat face

Form B: ball end

Form C: diamond grip



Order No. Form A	Order No. Form B	Order No. Form C	D	D1	D2	E	H	P	R	SW
02028-106012	02028-206012	02028-306012	M6	6	-/-/5	3	12,5	4	-/5/-	11
02028-106025	02028-206025	02028-306025	M6	6	-/-/5	3	25	7	-/5/-	11
02028-108015	02028-208015	02028-308015	M8	8	-/-/6	4	15	6	-/8,5/-	13
02028-108030	02028-208030	02028-308030	M8	8	-/-/6	4	30	9	-/8,5/-	13
02028-110020	02028-210020	02028-310020	M10	10	-/-/8	5	20	9	-/9/-	17
02028-110040	02028-210040	02028-310040	M10	10	-/-/8	5	40	13	-/9/-	17
02028-112025	02028-212025	02028-312025	M12	12	-/-/9,5	6	25	11	-/12,75/-	19
02028-112050	02028-212050	02028-312050	M12	12	-/-/9,5	6	50	16	-/12,75/-	19
02028-116030	02028-216030	02028-316030	M16	16	-/-/13	8	30	12	-/17/-	24
02028-116060	02028-216060	02028-316060	M16	16	-/-/13	8	60	20	-/17/-	24