

# Locating pins ceramic

similar to DIN 6321



**Material:**

High-performance ceramic, Cerazur.

**Version:**

Ground

**Sample order:**

nIm 02020-01-10607

**Note:**

Form A locating pins are used to position workpieces and fixture parts in reamed holes. The flattened Form C can be used to bridge tolerances in hole spacing or to secure the part to be positioned in one direction only. The Form A locating pins can also be used as limit stops or fixture feet.

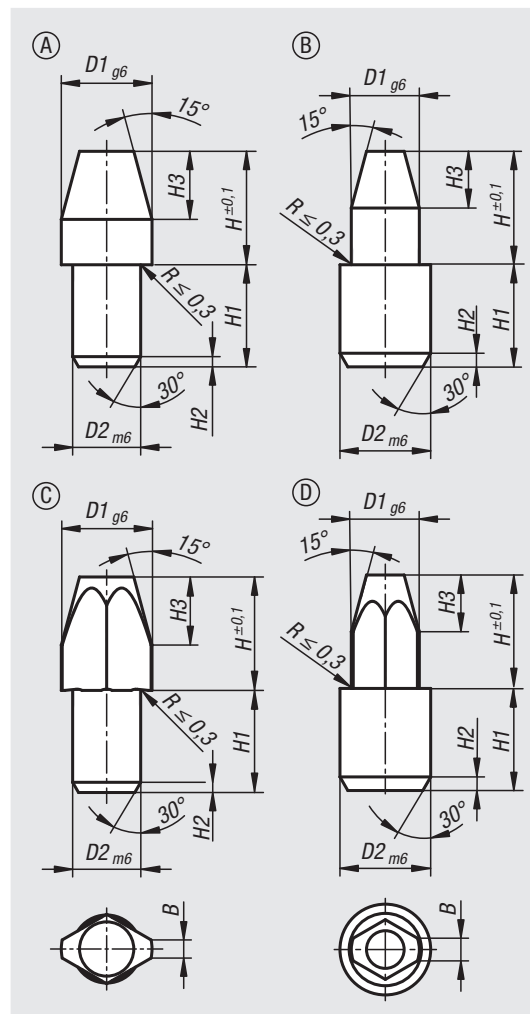
**Advantages:**

Cerazur is extremely impact and bend resistant. The basis of this material is zirconium oxide. It is a composite metal-ceramic material.

**Drawing reference:**

Form A and B: cylindrical locating pin

Form C and D: flattened locating pin



## Locating pin ceramic

similar to DIN 6321



Order No.	Form	D1	D2	H	H1	H2	H3
02020-01-10607	A	6	4	7	6	0,6	4
02020-01-10612	A	6	4	12	6	0,6	4
02020-01-10810	A	8	6	10	9	0,9	6
02020-01-10816	A	8	6	16	9	0,9	6
02020-01-11010	A	10	6	10	9	0,9	6
02020-01-11018	A	10	6	18	9	0,9	6
02020-01-11210	A	12	6	10	9	0,9	6
02020-01-11218	A	12	6	18	9	0,9	6
02020-01-11613	A	16	8	13	12	1,2	8
02020-01-11622	A	16	8	22	12	1,2	8

Order No.	Form	D1	D2	H	H1	H2	H3
02020-01-20307	B	3	4	7	6	0,6	3
02020-01-20312	B	3	4	12	6	0,6	3
02020-01-20410	B	4	6	10	9	0,9	4
02020-01-20416	B	4	6	16	9	0,9	4
02020-01-20610	B	6	8	10	9	1,2	5
02020-01-20618	B	6	8	18	9	1,2	5

Order No.	Form	B	D1	D2	H	H1	H2	H3
02020-01-30607	C	1	6	4	7	6	0,6	4
02020-01-30612	C	1	6	4	12	6	0,6	4
02020-01-30810	C	1,6	8	6	10	9	0,9	6
02020-01-30816	C	1,6	8	6	16	9	0,9	6
02020-01-31010	C	2,5	10	6	10	9	0,9	6
02020-01-31018	C	2,5	10	6	18	9	0,9	6
02020-01-31210	C	2,5	12	6	10	9	0,9	6
02020-01-31218	C	2,5	12	6	18	9	0,9	6
02020-01-31613	C	3,5	16	8	13	12	1,2	8
02020-01-31622	C	3,5	16	8	22	12	1,2	8

Order No.	Form	B	D1	D2	H	H1	H2	H3
02020-01-40307	D	1,2	3	4	7	6	0,6	3
02020-01-40312	D	1,2	3	4	12	6	0,6	3
02020-01-40410	D	1,6	4	6	10	9	0,9	4
02020-01-40416	D	1,6	4	6	16	9	0,9	4
02020-01-40610	D	2	6	8	10	9	1,2	5
02020-01-40618	D	2	6	8	18	9	1,2	5