

Rest pads, ceramic

**Material:**

High-performance ceramic, Cerazur.

Version:

Ground.

Top face without centerbore.

Sample order:

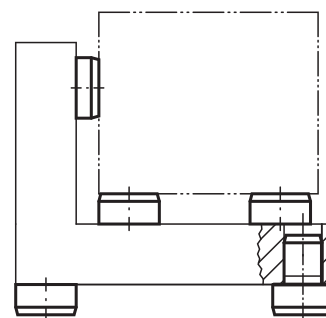
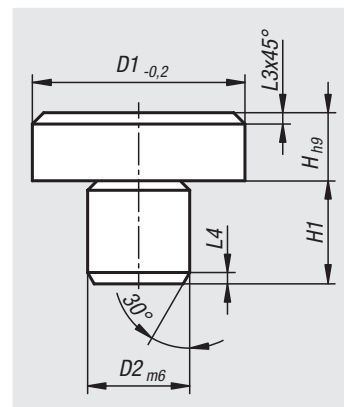
nIm 02010-01-060025

Note:

Rest pads can also be used as feet for jigs and fixtures.

Advantages:

Cerazur is extremely impact and bend resistant. The basis of this material is zirconium oxide. It is a composite metal-ceramic material.



Order No.	D1	D2	H	H1	L3	L4
02010-01-060025	6	4	2,5	6,5	1	1
02010-01-060045	6	4	4,5	8,5	1	1
02010-01-060050	6	4	5	6	1	1
02010-01-100040	10	6	4	8,5	1	1
02010-01-100080	10	6	8	8,5	1	1
02010-01-120060	12	6	6	10	1	1
02010-01-120100	12	6	10	10	1	1
02010-01-160050	16	8	5	10	1	1
02010-01-160130	16	8	13	10	1	1
02010-01-194060	19,4	10	6	12	1	1
02010-01-194120	19,4	10	12	12	1	1
02010-01-250080	25	12	8	14	1	1
02010-01-250200	25	12	20	14	1	1
02010-01-250300	25	12	30	14	1	1
02010-01-300250	30	16	25	20	1	1
02010-01-300400	30	16	40	20	1	1
02010-01-300500	30	16	50	20	1	1
02010-01-300650	30	16	65	20	1	1