

Self-aligning pads

adjustable with O-ring, exchangeable inserts and hexagon socket



Material:

Body carbon steel.

Ball rust and acid resistant steel.

Inserts:

Form C, F, M tool steel

Form K POM

Form E stainless steel.

Form O stainless steel diamond impregnated.

Form P stainless steel with polyurethane surface.

Version:

Body tempered, black oxidised.

Ball hardened, bright.

Inserts:

Form C, F hardened, black oxidised.

Form M with carbide serrations, black oxidised.

Form K white.

Form E hardened, bright.

Form O diamond impregnated surface comparable to 100 grade abrasive grit.

Form P polyurethane surface, hardness 60 Shore.

Sample order:

nIm 02009-720X070

Note:

Self-aligning pads are used to support and clamp unmachined and machined workpieces.

They also serve as stops, supports and thrust pads in fixtures and toolmaking.

The ball can be removed from the housing by applying light pressure to the socket head screw.

Ball secured against rotation.

Advantages:

Highly cost-effective as inserts can be exchanged.

The built-in O-ring holds the ball in place and keeps dirt and foreign particles out, ensuring uniform movement.

Drawing reference:

Form C: flattened steel insert, smooth

Form E: flattened stainless steel insert, smooth

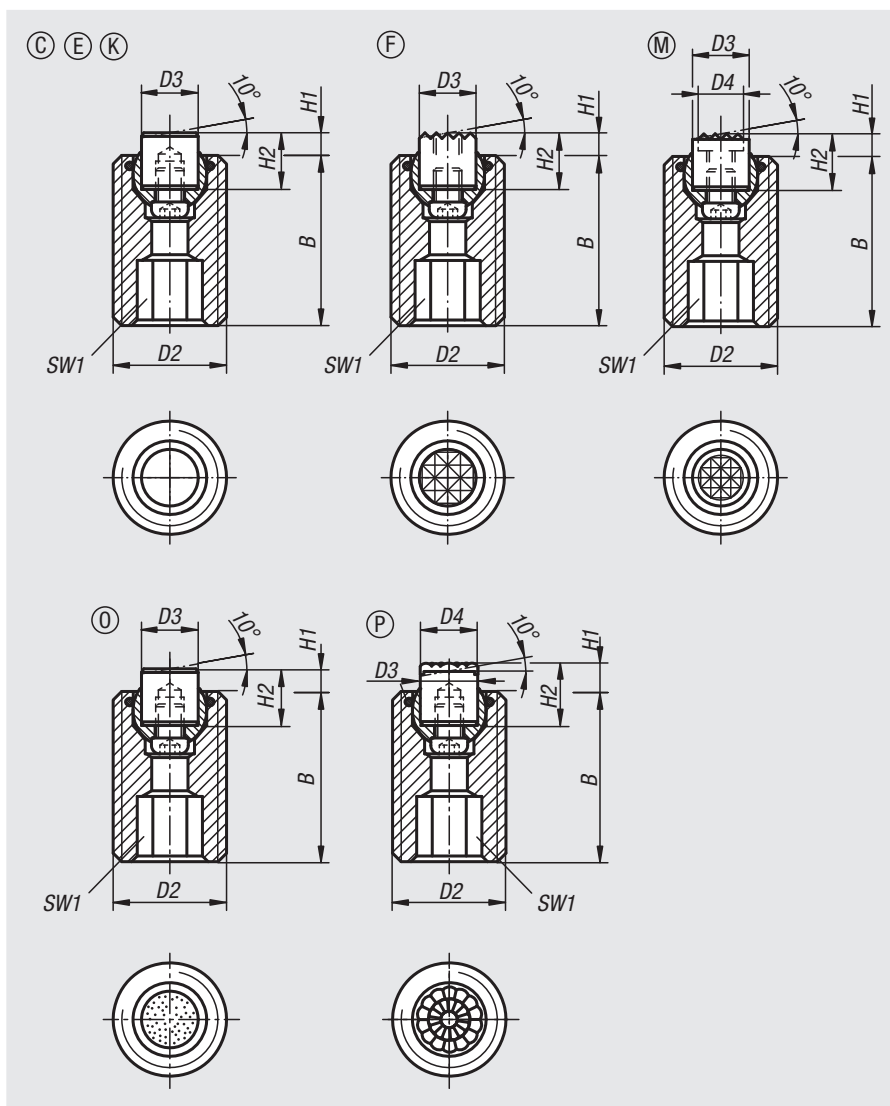
Form F: gripper face

Form K: flattened POM insert, smooth

Form M: gripper, with carbide serrations

Form O: stainless steel insert diamond impregnated

Form P: stainless steel insert with polyurethane surface



Order No.	Form	B	D2	D3	H1	H2	SW1	Ball-Ø	Load rating max. kN (static load only)	Order No. steel insert
02009-120X030	C	30	M20	10	4	10	10	13	37	07113-10108
02009-120X050	C	50	M20	10	4	10	10	13	37	07113-10108
02009-120X070	C	70	M20	10	4	10	10	13	37	07113-10108
02009-124X040	C	40	M24	12	4	10	10	15	55	07113-12108
02009-124X080	C	80	M24	12	4	10	10	15	55	07113-12108

Self-aligning pads

adjustable with O-ring, exchangeable inserts and hexagon socket

Order No.	Form	B	D2	D3	H1	H2	SW1	Ball-Ø	Load rating max. kN (static load only)	Order No. stainless steel insert
02009-220X030	E	30	M20	10	4	10	10	13	37	07113-10102
02009-220X050	E	50	M20	10	4	10	10	13	37	07113-10102
02009-220X070	E	70	M20	10	4	10	10	13	37	07113-10102
02009-224X040	E	40	M24	12	4	10	10	15	55	07113-12102
02009-224X080	E	80	M24	12	4	10	10	15	55	07113-12102

Order No.	Form	B	D2	D3	H1	H2	SW1	Ball-Ø	Load rating max. kN (static load only)	Order No. gripper
02009-320X030	F	30	M20	10	4	10	10	13	37	07113-1010
02009-320X050	F	50	M20	10	4	10	10	13	37	07113-1010
02009-320X070	F	70	M20	10	4	10	10	13	37	07113-1010
02009-324X040	F	40	M24	12	4	10	10	15	55	07113-1210
02009-324X080	F	80	M24	12	4	10	10	15	55	07113-1210

Order No.	Form	B	D2	D3	H1	H2	SW1	Ball-Ø	Load rating max. kN (static load only)	Order No. POM insert
02009-720X030	K	30	M20	10	4	10	10	13	4	07113-10109
02009-720X050	K	50	M20	10	4	10	10	13	4	07113-10109
02009-720X070	K	70	M20	10	4	10	10	13	4	07113-10109
02009-724X040	K	40	M24	12	4	10	10	15	7	07113-12109
02009-724X080	K	80	M24	12	4	10	10	15	7	07113-12109

Order No.	Form	B	D2	D3	D4	H1	H2	SW1	Ball-Ø	Load rating max. kN (static load only)	Order No. gripper
02009-920X030	M	30	M20	10	7,9	4	10	10	13	37	07113-10107
02009-920X050	M	50	M20	10	7,9	4	10	10	13	37	07113-10107
02009-920X070	M	70	M20	10	7,9	4	10	10	13	37	07113-10107
02009-924X040	M	40	M24	12	9,5	4	10	10	15	55	07113-12107
02009-924X080	M	80	M24	12	9,5	4	10	10	15	55	07113-12107

Order No.	Form	B	D2	D3	H1	H2	SW1	Ball-Ø	Load rating max. kN (static load only)	Order No. stainless steel insert, diamond surface
02009-520X030	O	30	M20	10	4	10	10	13	37	07113-10105
02009-520X050	O	50	M20	10	4	10	10	13	37	07113-10105
02009-520X070	O	70	M20	10	4	10	10	13	37	07113-10105
02009-524X040	O	40	M24	12	4	10	10	15	55	07113-12105
02009-524X080	O	80	M24	12	4	10	10	15	55	07113-12105

Order No.	Form	B	D2	D3	D4	H1	H2	SW1	Ball-Ø	Load rating max. kN (static load only)	Order No. stainless steel insert, polyurethane surface
02009-620X030	P	30	M20	10	10	6	12	10	13	37	07113-10126
02009-620X050	P	50	M20	10	10	6	12	10	13	37	07113-10126
02009-620X070	P	70	M20	10	10	6	12	10	13	37	07113-10126
02009-624X040	P	40	M24	12	13	6	12	10	15	55	07113-12126
02009-624X080	P	80	M24	12	13	6	12	10	15	55	07113-12126