

Self-aligning pads

adjustable with O-ring and exchangeable inserts



Material:

Body carbon steel.

Ball rust and acid resistant steel.

Inserts:

Form C, F, M tool steel

Form K POM

Form E stainless steel.

Form O stainless steel diamond impregnated.

Form P stainless steel with polyurethane surface.

Version:

Body tempered, black oxidised.

Ball hardened, bright.

Inserts:

Form C, F hardened, black oxidised.

Form M with carbide serrations, black oxidised.

Form K white.

Form E hardened, bright.

Form O diamond impregnated surface comparable to 100 grade abrasive grit.

Form P polyurethane surface, hardness 60 Shore.

Sample order:

nIm 02007-124X100

Note:

Self-aligning pads are used to support and clamp unmachined and machined workpieces.

They also serve as stops, supports and thrust pads in fixtures and toolmaking.

The ball can be removed from the housing by applying light pressure to the socket head screw.

Ball secured against rotation.

Advantages:

Highly cost-effective as inserts can be exchanged.

The built-in O-ring holds the ball in place and keeps dirt and foreign particles out, ensuring uniform movement.

Drawing reference:

Form C: flattened steel insert, smooth

Form E: flattened stainless steel insert, smooth

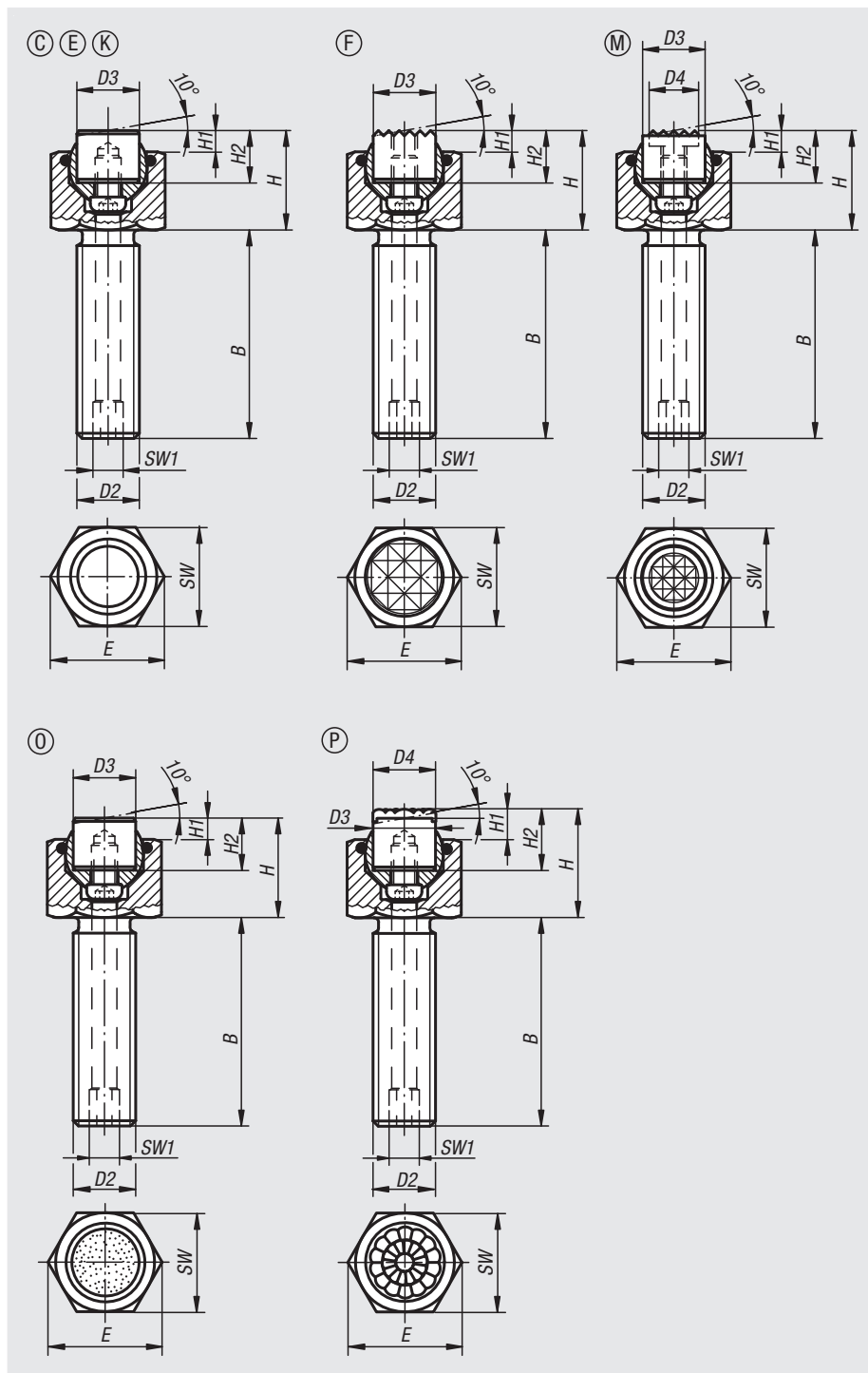
Form F: gripper face

Form K: flattened POM insert, smooth

Form M: gripper, with carbide serrations

Form O: stainless steel insert diamond impregnated

Form P: stainless steel insert with polyurethane surface



Self-aligning pads

adjustable with O-ring and exchangeable inserts

Order No.	Form	B	D2	D3	H	H1	H2	E	SW	SW1	Ball-Ø	Load rating max. kN (static load only)	Order No. steel insert
02007-110X015	C	15	M10	10	17	4	10	19,6	17	3	13	19	07113-10108
02007-110X030	C	30	M10	10	17	4	10	19,6	17	3	13	19	07113-10108
02007-110X050	C	50	M10	10	17	4	10	19,6	17	3	13	19	07113-10108
02007-112X020	C	20	M12	12	19	4	10	21,9	19	5	15	30	07113-12108
02007-112X040	C	40	M12	12	19	4	10	21,9	19	5	15	30	07113-12108
02007-112X060	C	60	M12	12	19	4	10	21,9	19	5	15	30	07113-12108
02007-116X025	C	25	M16	16	23	4	10	27,7	24	6	20	50	07113-16108
02007-116X050	C	50	M16	16	23	4	10	27,7	24	6	20	50	07113-16108
02007-116X080	C	80	M16	16	23	4	10	27,7	24	6	20	50	07113-16108
02007-120X030	C	30	M20	20	24	4	10	34,6	30	8	23	85	07113-20108
02007-120X060	C	60	M20	20	24	4	10	34,6	30	8	23	85	07113-20108
02007-120X100	C	100	M20	20	24	4	10	34,6	30	8	23	85	07113-20108
02007-124X040	C	40	M24	25	30	4	10	41,6	36	10	28	121	07113-25108
02007-124X100	C	100	M24	25	30	4	10	41,6	36	10	28	121	07113-25108

Order No.	Form	B	D2	D3	H	H1	H2	E	SW	SW1	Ball-Ø	Load rating max. kN (static load only)	Order No. stainless steel insert
02007-210X015	E	15	M10	10	17	4	10	19,6	17	3	13	19	07113-10102
02007-210X030	E	30	M10	10	17	4	10	19,6	17	3	13	19	07113-10102
02007-210X050	E	50	M10	10	17	4	10	19,6	17	3	13	19	07113-10102
02007-212X020	E	20	M12	12	19	4	10	21,9	19	5	15	30	07113-12102
02007-212X040	E	40	M12	12	19	4	10	21,9	19	5	15	30	07113-12102
02007-212X060	E	60	M12	12	19	4	10	21,9	19	5	15	30	07113-12102
02007-216X025	E	25	M16	16	23	4	10	27,7	24	6	20	50	07113-16102
02007-216X050	E	50	M16	16	23	4	10	27,7	24	6	20	50	07113-16102
02007-216X080	E	80	M16	16	23	4	10	27,7	24	6	20	50	07113-16102
02007-220X030	E	30	M20	20	24	4	10	34,6	30	8	23	85	07113-20102
02007-220X060	E	60	M20	20	24	4	10	34,6	30	8	23	85	07113-20102
02007-220X100	E	100	M20	20	24	4	10	34,6	30	8	23	85	07113-20102
02007-224X040	E	40	M24	25	30	4	10	41,6	36	10	28	121	07113-25102
02007-224X100	E	100	M24	25	30	4	10	41,6	36	10	28	121	07113-25102

Order No.	Form	B	D2	D3	H	H1	H2	E	SW	SW1	Ball-Ø	Load rating max. kN (static load only)	Order No. gripper
02007-310X015	F	15	M10	10	17	4	10	19,6	17	3	13	19	07113-1010
02007-310X030	F	30	M10	10	17	4	10	19,6	17	3	13	19	07113-1010
02007-310X050	F	50	M10	10	17	4	10	19,6	17	3	13	19	07113-1010
02007-312X020	F	20	M12	12	19	4	10	21,9	19	5	15	30	07113-1210
02007-312X040	F	40	M12	12	19	4	10	21,9	19	5	15	30	07113-1210
02007-312X060	F	60	M12	12	19	4	10	21,9	19	5	15	30	07113-1210
02007-316X025	F	25	M16	16	23	4	10	27,7	24	6	20	50	07113-1610
02007-316X050	F	50	M16	16	23	4	10	27,7	24	6	20	50	07113-1610
02007-316X080	F	80	M16	16	23	4	10	27,7	24	6	20	50	07113-1610
02007-320X030	F	30	M20	20	24	4	10	34,6	30	8	23	85	07113-2010
02007-320X060	F	60	M20	20	24	4	10	34,6	30	8	23	85	07113-2010
02007-320X100	F	100	M20	20	24	4	10	34,6	30	8	23	85	07113-2010
02007-324X040	F	40	M24	25	30	4	10	41,6	36	10	28	121	07113-2510
02007-324X100	F	100	M24	25	30	4	10	41,6	36	10	28	121	07113-2510

Self-aligning pads

adjustable with O-ring and exchangeable inserts

Order No.	Form	B	D2	D3	H	H1	H2	E	SW	SW1	Ball-Ø	Load rating max. kN (static load only)	Order No. POM insert
02007-710X015	K	15	M10	10	17	4	10	19,6	17	3	13	4	07113-10109
02007-710X030	K	30	M10	10	17	4	10	19,6	17	3	13	4	07113-10109
02007-710X050	K	50	M10	10	17	4	10	19,6	17	3	13	4	07113-10109
02007-712X020	K	20	M12	12	19	4	10	21,9	19	5	15	7	07113-12109
02007-712X040	K	40	M12	12	19	4	10	21,9	19	5	15	7	07113-12109
02007-712X060	K	60	M12	12	19	4	10	21,9	19	5	15	7	07113-12109
02007-716X025	K	25	M16	16	23	4	10	27,7	24	6	20	14	07113-16109
02007-716X050	K	50	M16	16	23	4	10	27,7	24	6	20	14	07113-16109
02007-716X080	K	80	M16	16	23	4	10	27,7	24	6	20	14	07113-16109
02007-720X030	K	30	M20	20	24	4	10	34,6	30	8	23	27	07113-20109
02007-720X060	K	60	M20	20	24	4	10	34,6	30	8	23	27	07113-20109
02007-720X100	K	100	M20	20	24	4	10	34,6	30	8	23	27	07113-20109
02007-724X040	K	40	M24	25	30	4	10	41,6	36	10	28	47	07113-25109
02007-724X100	K	100	M24	25	30	4	10	41,6	36	10	28	47	07113-25109

Order No.	Form	B	D2	D3	D4	H	H1	H2	E	SW	SW1	Ball-Ø	Load rating max. kN (static load only)	Order No. gripper
02007-910X015	M	15	M10	10	7,9	17	4	10	19,6	17	3	13	19	07113-10107
02007-910X030	M	30	M10	10	7,9	17	4	10	19,6	17	3	13	19	07113-10107
02007-910X050	M	50	M10	10	7,9	17	4	10	19,6	17	3	13	19	07113-10107
02007-912X020	M	20	M12	12	9,5	19	4	10	21,9	19	5	15	30	07113-12107
02007-912X040	M	40	M12	12	9,5	19	4	10	21,9	19	5	15	30	07113-12107
02007-912X060	M	60	M12	12	9,5	19	4	10	21,9	19	5	15	30	07113-12107
02007-916X025	M	25	M16	16	12,7	23	4	10	27,7	24	6	20	50	07113-16107
02007-916X050	M	50	M16	16	12,7	23	4	10	27,7	24	6	20	50	07113-16107
02007-916X080	M	80	M16	16	12,7	23	4	10	27,7	24	6	20	50	07113-16107
02007-920X030	M	30	M20	20	15,9	24	4	10	34,6	30	8	23	85	07113-20107
02007-920X060	M	60	M20	20	15,9	24	4	10	34,6	30	8	23	85	07113-20107
02007-920X100	M	100	M20	20	15,9	24	4	10	34,6	30	8	23	85	07113-20107
02007-924X040	M	40	M24	25	19	30	4	10	41,6	36	10	28	121	07113-25107
02007-924X100	M	100	M24	25	19	30	4	10	41,6	36	10	28	121	07113-25107

Self-aligning pads

adjustable with O-ring and exchangeable inserts

Order No.	Form	B	D2	D3	H	H1	H2	E	SW	SW1	Ball-Ø	Load rating max. kN (static load only)	Order No. stainless steel insert, diamond surface
02007-510X015	O	15	M10	10	17	4	10	19,6	17	3	13	19	07113-10105
02007-510X030	O	30	M10	10	17	4	10	19,6	17	3	13	19	07113-10105
02007-510X050	O	50	M10	10	17	4	10	19,6	17	3	13	19	07113-10105
02007-512X020	O	20	M12	12	19	4	10	21,9	19	5	15	30	07113-12105
02007-512X040	O	40	M12	12	19	4	10	21,9	19	5	15	30	07113-12105
02007-512X060	O	60	M12	12	19	4	10	21,9	19	5	15	30	07113-12105
02007-516X025	O	25	M16	16	23	4	10	27,7	24	6	20	50	07113-16105
02007-516X050	O	50	M16	16	23	4	10	27,7	24	6	20	50	07113-16105
02007-516X080	O	80	M16	16	23	4	10	27,7	24	6	20	50	07113-16105
02007-520X030	O	30	M20	20	24	4	10	34,6	30	8	23	85	07113-20105
02007-520X060	O	60	M20	20	24	4	10	34,6	30	8	23	85	07113-20105
02007-520X100	O	100	M20	20	24	4	10	34,6	30	8	23	85	07113-20105
02007-524X040	O	40	M24	25	30	4	10	41,6	36	10	28	121	07113-25105
02007-524X100	O	100	M24	25	30	4	10	41,6	36	10	28	121	07113-25105

Order No.	Form	B	D2	D3	D4	H	H1	H2	E	SW	SW1	Ball-Ø	Order No. stainless steel insert, polyurethane surface
02007-620X030	P	30	M20	20	21	26	6	12	34,6	30	8	23	07113-20126
02007-612X020	P	20	M12	12	13	21	6	12	21,9	19	5	15	07113-12126
02007-610X015	P	15	M10	10	10	19	6	12	19,6	17	3	13	07113-10126
02007-624X100	P	100	M24	25	27	32	6	12	41,6	36	10	28	07113-25126
02007-616X025	P	25	M16	16	16	25	6	12	27,7	24	6	20	07113-16126
02007-616X050	P	50	M16	16	16	25	6	12	27,7	24	6	20	07113-16126
02007-612X060	P	60	M12	12	13	21	6	12	21,9	19	5	15	07113-12126
02007-610X030	P	30	M10	10	10	19	6	12	19,6	17	3	13	07113-10126
02007-620X100	P	100	M20	20	21	26	6	12	34,6	30	8	23	07113-20126
02007-624X040	P	40	M24	25	27	32	6	12	41,6	36	10	28	07113-25126
02007-610X050	P	50	M10	10	10	19	6	12	19,6	17	3	13	07113-10126
02007-616X080	P	80	M16	16	16	25	6	12	27,7	24	6	20	07113-16126
02007-620X060	P	60	M20	20	21	26	6	12	34,6	30	8	23	07113-20126
02007-612X040	P	40	M12	12	13	21	6	12	21,9	19	5	15	07113-12126