

Self-aligning pads

adjustable with O-ring



Material:

Body carbon steel.

Ball:

Form C, F, tool steel.

Form K POM.

Form O stainless steel diamond impregnated.

Form P stainless steel with polyurethane surface.

Version:

Body tempered, black oxidised.

Ball:

Form C, F hardened, black oxidised.

Form K POM ball, white.

Form O surface comparable to 100 grade abrasive grit.

Form P polyurethane, hardness 60 Shore.

Sample order:

nIm 02006-106X040

Note:

Self-aligning pads are used to support and clamp unmachined and machined workpieces. They also serve as stops, supports and thrust pads in fixtures and toolmaking.

Ball secured against rotation.

Form O: The abrasive diamond surface is bonded firmly to the ball. It is ideally suited to supporting smooth or slippery applications with a minimum of clamping pressure. This allows the diamond particles to get a firm grip on a very small area with minimum damage to the surface. The diamond surface offers excellent wear resistance.

Form P: The polyurethane surface is vulcanised firmly to the ball. It is abrasion-resistant and does not discolour. It offers optimum protection against damage to delicate surfaces. The pearl-like surface gives a firm grip and allows air to escape so as to prevent any suction effect between the contact surface and the self-aligning pads.

Advantages:

The built-in O-ring holds the ball in place and keeps dirt and foreign particles out, ensuring uniform movement.

Drawing reference:

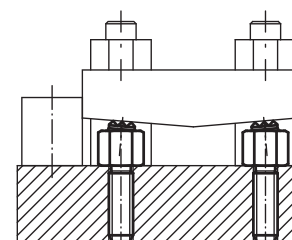
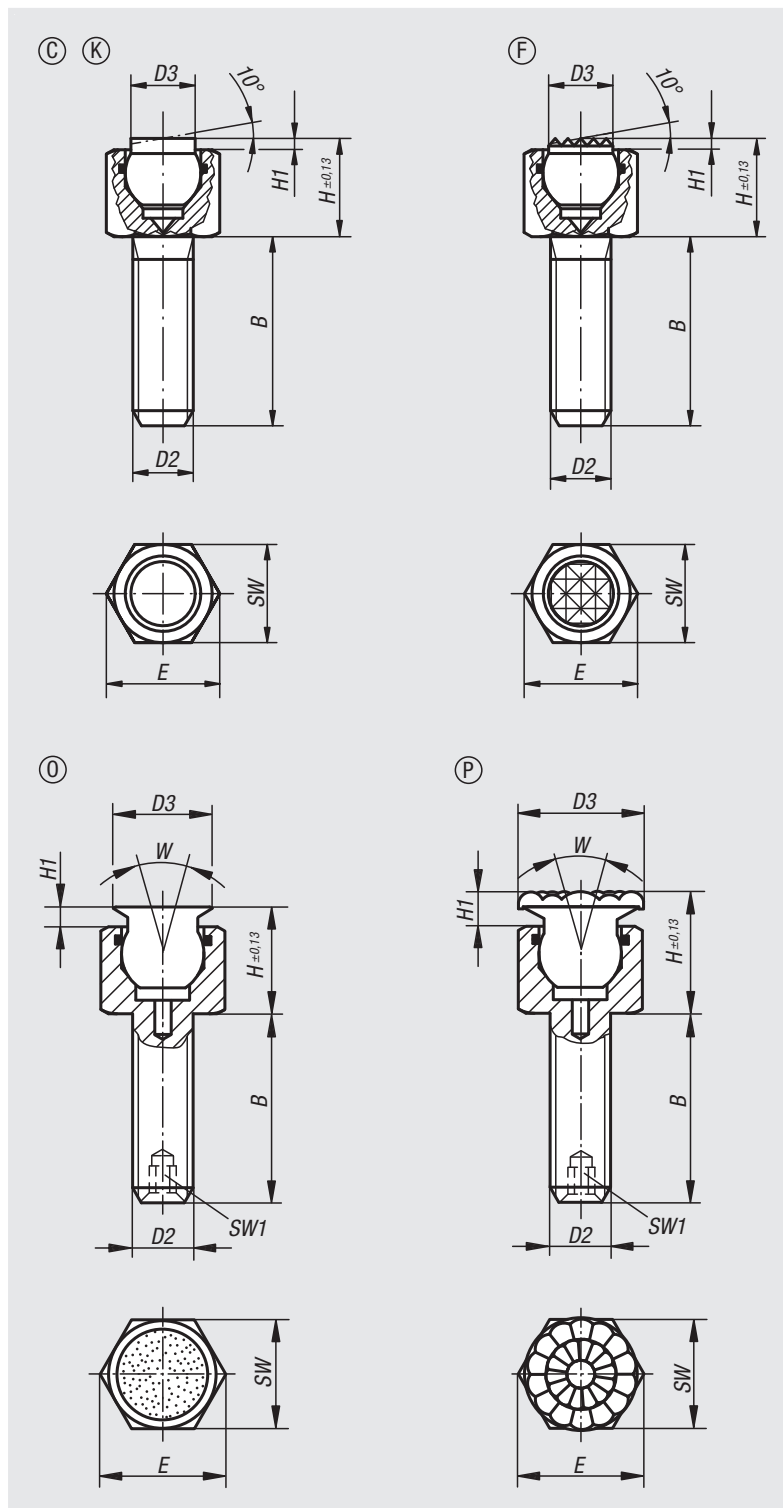
Form C: flattened steel ball, smooth

Form F: flattened steel ball, with serrations

Form K: POM ball, flattened, smooth

Form O: stainless steel ball diamond impregnated

Form P: stainless steel ball with polyurethane surface



Self-aligning pads

adjustable with O-ring

Order No.	Form	B	D2	D3	H	H1	E	SW	Ball-Ø	Load rating max. kN (static load only)
02006-106X012	C	12	M6	6	9,5	1,5	11,5	10	7	9
02006-106X025	C	25	M6	6	9,5	1,5	11,5	10	7	9
02006-106X040	C	40	M6	6	9,5	1,5	11,5	10	7	9
02006-108X012	C	12	M8	8,5	13	1,5	15	13	10	15
02006-108X025	C	25	M8	8,5	13	1,5	15	13	10	15
02006-108X040	C	40	M8	8,5	13	1,5	15	13	10	15

Order No.	Form	B	D2	D3	H	H1	E	SW	Ball-Ø	Load rating max. kN (static load only)
02006-306X012	F	12	M6	6	9,5	1,5	11,5	10	7	9
02006-306X025	F	25	M6	6	9,5	1,5	11,5	10	7	9
02006-306X040	F	40	M6	6	9,5	1,5	11,5	10	7	9
02006-308X012	F	12	M8	8,5	13	1,5	15	13	10	15
02006-308X025	F	25	M8	8,5	13	1,5	15	13	10	15
02006-308X040	F	40	M8	8,5	13	1,5	15	13	10	15

Order No.	Form	B	D2	D3	H	H1	E	SW	Ball-Ø	Load rating max. kN (static load only)
02006-706X012	K	12	M6	6	9,5	1,5	11,5	10	7	2
02006-706X025	K	25	M6	6	9,5	1,5	11,5	10	7	2
02006-706X040	K	40	M6	6	9,5	1,5	11,5	10	7	2
02006-708X012	K	12	M8	8,5	13	1,5	15	13	10	4
02006-708X025	K	25	M8	8,5	13	1,5	15	13	10	4
02006-708X040	K	40	M8	8,5	13	1,5	15	13	10	4

Order No.	Form	B	D2	D3	H	H1	E	SW	SW1	W	Ball-Ø	Load rating max. kN (static load only)
02006-506X	O	12	M6	8	10	2	11,5	10	-	28	7	9,2
02006-508X	O	12	M8	11	14,5	3	15	13	-	28	10	15,5
02006-510X	O	15	M10	14	16	3	19,6	17	3	28	13	18,8
02006-512X	O	20	M12	19	19	4	21,9	19	5	24	15	29,8
02006-516X	O	25	M16	21	23	4	27,7	24	6	24	20	50,3

Order No.	Form	B	D2	D3	H	H1	E	SW	SW1	W	Ball-Ø
02006-606X	P	12	M6	10	12	4	11,5	10	-	28	7
02006-608X	P	12	M8	13	16,5	5	15	13	-	28	10
02006-610X	P	15	M10	16	18	5	19,6	17	3	28	13
02006-612X	P	20	M12	21	21	6	21,9	19	5	24	15
02006-616X	P	25	M16	23	25	6	27,7	24	6	24	20